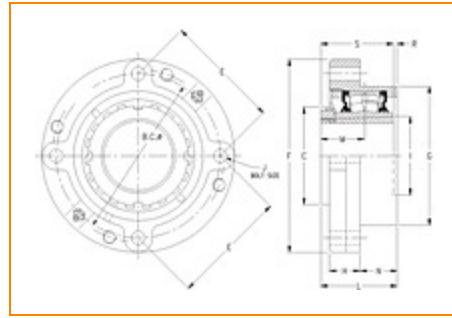



**The Timken Company**

4500 Mt Pleasant St. NW

N. Canton, OH 44720

**Phone:** (234) 262-3000

**E-Mail:** [CustomerCAD@timken.com](mailto:CustomerCAD@timken.com) • **Web site:** [www.timken.com](http://www.timken.com)
**Part Number DVC22K315S, Tapered Adapter Piloted Flange Cartridge**


[Specifications](#) | [Dimensions](#) | [Radial and Thrust Factors](#) | [Engineering Seal Speed](#) | [Engineering Bearing Attributes](#) | [Engineering Internal Radial Clearance](#)

**Specifications**

**Engineering Group** Mounted Bearing

**Bearing Number** 22222

**Shaft Size** 3 15/16 in

**Shaft Size Type** Imperial

**Full Timken Part Number**

- DVC22K315SB
- DVC22K315SBREV
- DVC22K315SC
- DVC22K315SEB
- DVC22K315SEC
- DVC22K315SEM
- DVC22K315SEN
- DVC22K315SEO
- DVC22K315SET
- DVC22K315SM



DVC22K315SN  
DVC22K315SO  
DVC22K315ST

<b>Locking Style</b>	Tapered Adapter
<b>Housing Construction</b>	Piloted Flange Cartridge
<b>UPC Code</b>	<p>0883450005128 0883450005135 0883450005159 0883450005166 0883450005173 0883450005180 0883450005197 0883450005203 0883450196987 0883450197182 0883450274494 0883450274692 0883450435536</p>

## Dimensions

<b>Dimension BC</b>	9.38 in 238.3 mm
<b>Dimension C</b>	5.71 in 145 mm
<b>Dimension E</b>	6.63 in 168.4 mm
<b>Dimension F</b>	10.88 in 276.4 mm
<b>Dimension G</b>	8.125 in 206.4 mm
<b>Dimension H</b>	1.89 in 48 mm
<b>Dimension I</b>	4.6 in 116.8 mm

<b>Dimension J (Bolt Size)</b>	0.75 in 20 mm
<b>Dimension L</b>	3.94 in 100.1 mm
<b>Dimension M</b>	2.48 in 63 mm
<b>Dimension N</b>	1.5 in 38.1 mm
<b>Dimension R</b>	0.18 in 4.6 mm
<b>Dimension S</b>	4.13 in 104.9 mm

### Radial and Thrust Factors

<b>C0 - Static Load</b>	147000 lbf 653000 N
<b>C - Dynamic Load (Basic)</b>	125000 lbf 555000 N
<b>e - Geometry Factor</b>	0.25
<b>Y1 - Geometry Factor</b>	2.73
<b>Y2 - Geometry Factor</b>	4.06

### Engineering Seal Speed

<b>Oil Lubrication - M/N Seal</b>	900 rpm
<b>Oil Lubrication - T Seal</b>	1700 rpm
<b>Oil Lubrication - B/C/O Seal</b>	600 rpm
<b>Grease Lubrication - M/N Seal</b>	900 rpm

<b>Grease Lubrication - T Seal</b>	1200 rpm
------------------------------------	----------

<b>Grease Lubrication - B/C/O Seal</b>	600 rpm
--	---------

### Engineering Bearing Attributes

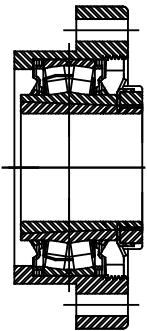
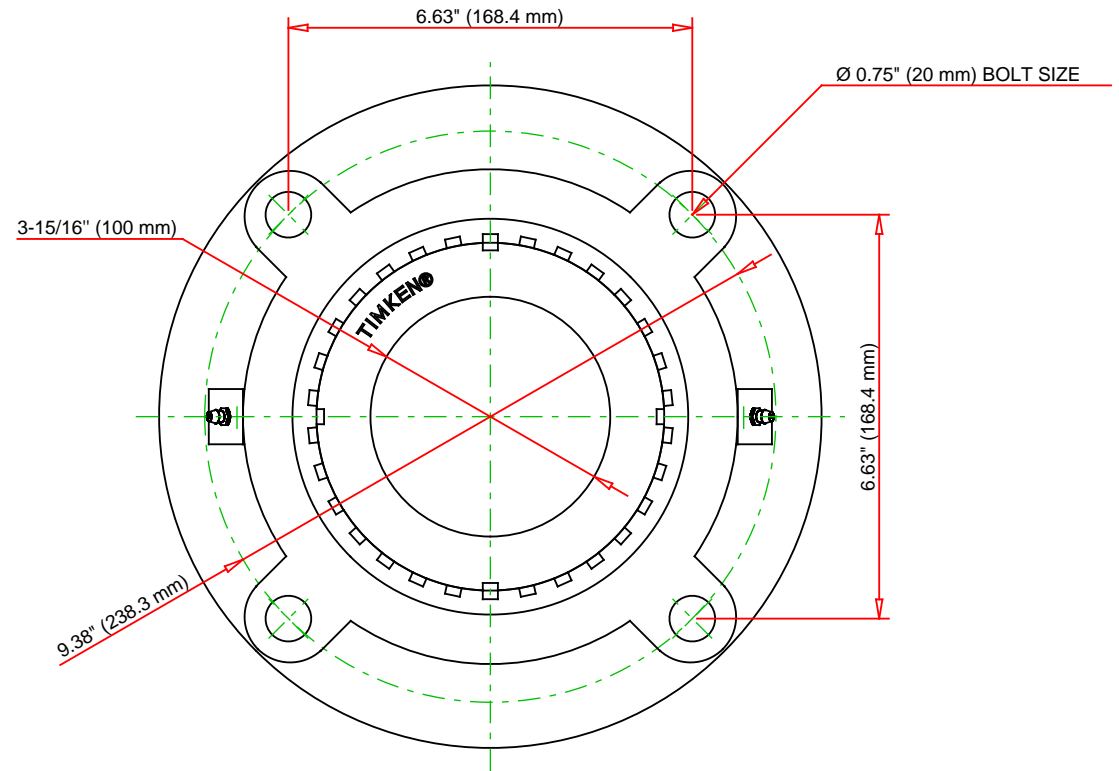
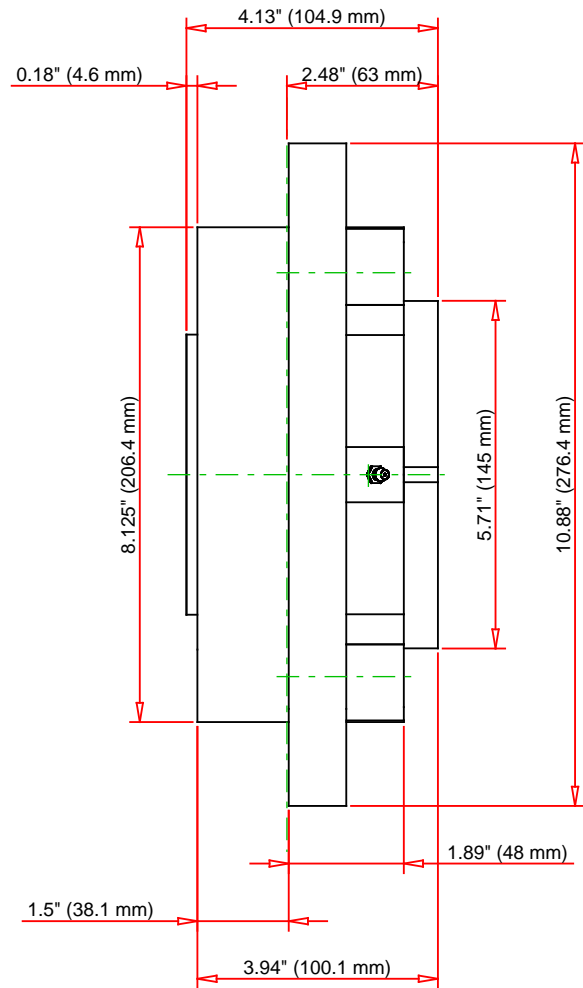
<b>Float</b>	0.083 in 2.108 mm
--------------	----------------------

<b>Shaft Tolerance</b>	0.0040 in 0.102 mm
------------------------	-----------------------

### Engineering Internal Radial Clearance

<b>Pre Install Clearance Min</b>	0.0053 in 0.135 mm
----------------------------------	-----------------------

<b>Pre Install Clearance Max</b>	0.0067 in 0.170 mm
----------------------------------	-----------------------



Note: Section View not to Scale

C - Dynamic Load	125000	lbf	555000	N
C0 - Static Load	147000	lbf	653000	N
Weight	58	lb	26.3	kg
Max. Speed T-Seals & Grease	1200	rpm		
Rad. Clearance - Max.				

**TIMKEN**

THE TIMKEN COMPANY  
NORTH CANTON, OHIO USA

**DVC22K315S**

Tapered Adapter Piloted Flange  
Cartridge

Every reasonable effort has been made to ensure the accuracy of the information contained in this writing, but no liability is accepted for errors, omissions or for any other reason.

**FOR DISCUSSION ONLY**