



**The Timken Company**

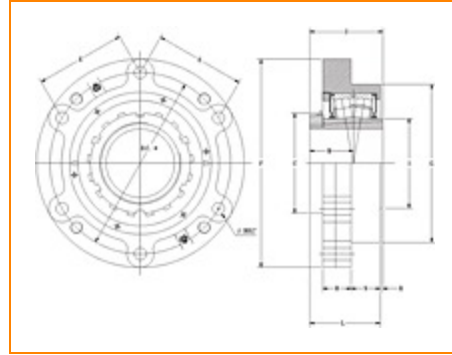
4500 Mt Pleasant St. NW

N. Canton, OH 44720

**Phone:** (234) 262-3000

**E-Mail:** [CustomerCAD@timken.com](mailto:CustomerCAD@timken.com) • **Web site:** [www.timken.com](http://www.timken.com)

## Part Number DVC26K407S, Tapered Adapter Piloted Flange Cartridge



[Specifications](#) | [Dimensions](#) | [Radial and Thrust Factors](#) | [Engineering Seal Speed](#) | [Engineering Bearing Attributes](#) | [Engineering Internal Radial Clearance](#)

### Specifications

**Engineering Group** Mounted Bearing

**Bearing Number** 22226

**Shaft Size** 4 7/16 in

**Shaft Size Type** Imperial

**Full Timken Part Number**

- DVC26K407SB
- DVC26K407SC
- DVC26K407SEB
- DVC26K407SEC
- DVC26K407SEM
- DVC26K407SEN
- DVC26K407SEO
- DVC26K407SET
- DVC26K407SM
- DVC26K407SN
- DVC26K407SO
- DVC26K407ST



<b>Locking Style</b>	Tapered Adapter
<b>Housing Construction</b>	Piloted Flange Cartridge
<b>UPC Code</b>	0883450005326 0883450005333 0883450005357 0883450005364 0883450005371 0883450005388 0883450005395 0883450005401 0883450197014 0883450197212 0883450274524 0883450274722

## Dimensions

<b>Dimension BC</b>	11-3/4 in 298.5 mm
<b>Dimension C</b>	6.5 in 165.1 mm
<b>Dimension E</b>	5.88 in 149.4 mm
<b>Dimension F</b>	13-1/2 in 342.900 mm
<b>Dimension G</b>	10.25 in 260.4 mm
<b>Dimension H</b>	1.85 in 47 mm
<b>Dimension I</b>	5.43 in 137.9 mm
<b>Dimension J (Bolt Size)</b>	0.75 in 20 mm

<b>Dimension L</b>	4.6 in 116.8 mm
--------------------	--------------------

<b>Dimension M</b>	2.83 in 71.9 mm
--------------------	--------------------

<b>Dimension N</b>	1.9 in 48.3 mm
--------------------	-------------------

<b>Dimension R</b>	0.16 in 4.1 mm
--------------------	-------------------

<b>Dimension S</b>	4.76 in 120.9 mm
--------------------	---------------------

## Radial and Thrust Factors

<b>C0 - Static Load</b>	212000 lbf 945000 N
-------------------------	------------------------

<b>C - Dynamic Load (Basic)</b>	170000 lbf 757000 N
---------------------------------	------------------------

<b>e - Geometry Factor</b>	0.26
----------------------------	------

<b>Y1 - Geometry Factor</b>	2.62
-----------------------------	------

<b>Y2 - Geometry Factor</b>	3.9
-----------------------------	-----

## Engineering Seal Speed

<b>Oil Lubrication - M/N Seal</b>	700 rpm
-----------------------------------	---------

<b>Oil Lubrication - T Seal</b>	1500 rpm
---------------------------------	----------

<b>Oil Lubrication - B/C/O Seal</b>	400 rpm
-------------------------------------	---------

<b>Grease Lubrication - M/N Seal</b>	700 rpm
--------------------------------------	---------

<b>Grease Lubrication - T Seal</b>	1000 rpm
------------------------------------	----------

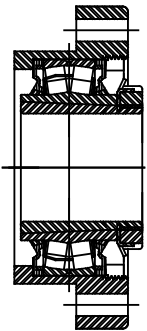
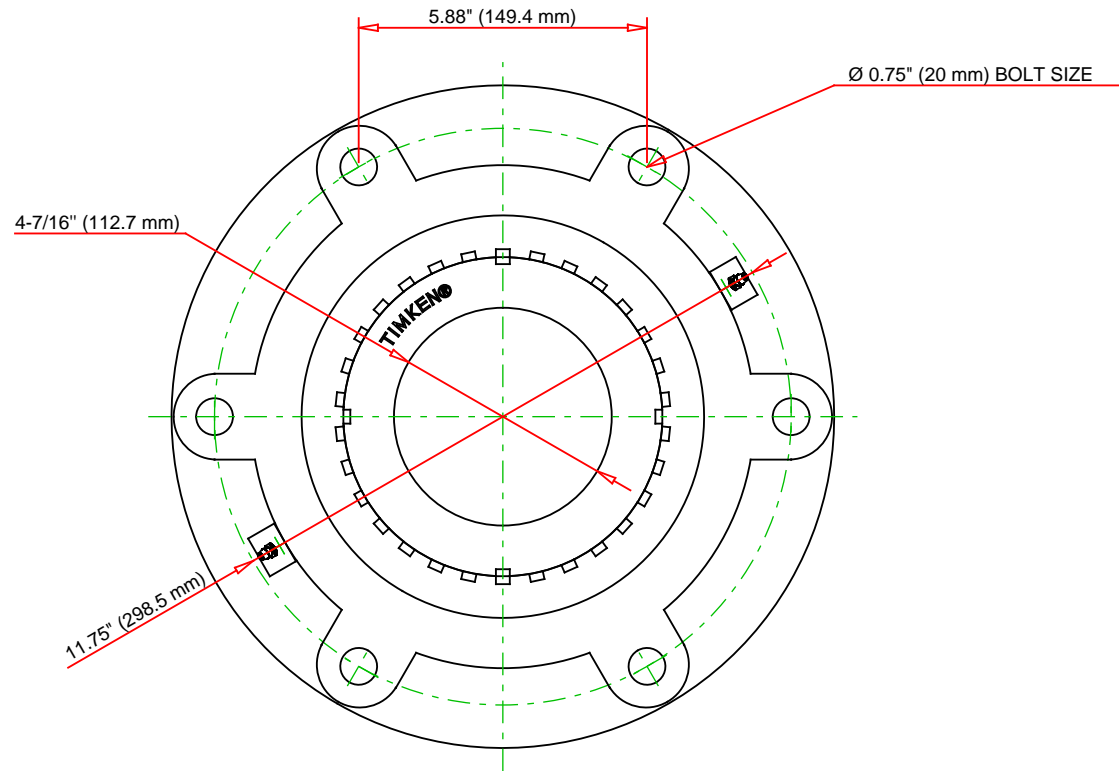
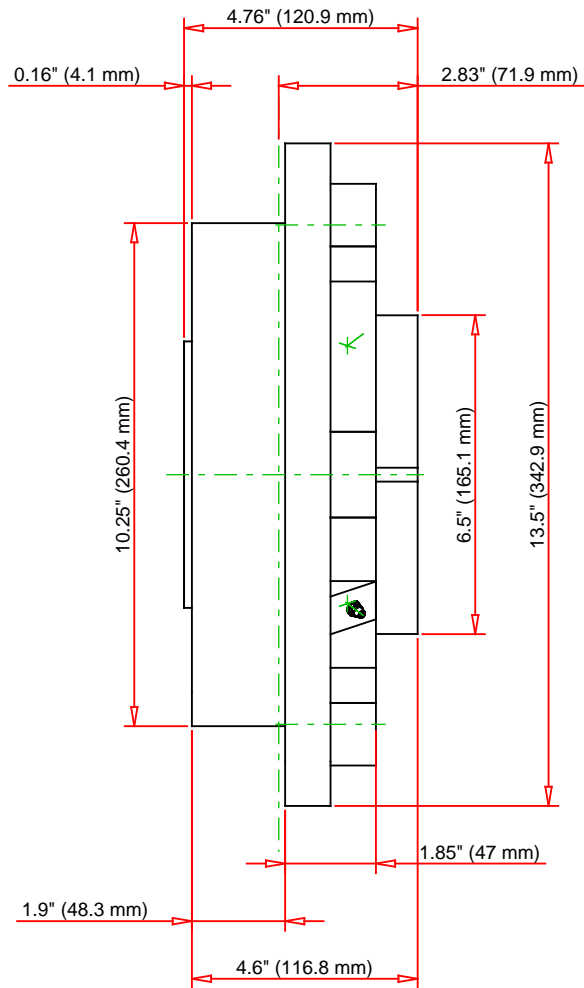
<b>Grease Lubrication - B/C/O Seal</b>	400 rpm
--	---------

## Engineering Bearing Attributes

<b>Float</b>	0.083 in 2.108 mm
<b>Shaft Tolerance</b>	0.0040 in 0.102 mm

## Engineering Internal Radial Clearance

<b>Pre Install Clearance Min</b>	0.0063 in 0.160 mm
<b>Pre Install Clearance Max</b>	0.0079 in 0.201 mm



Note: Section View not to Scale

C - Dynamic Load	170000	lbf	757000	N
C0 - Static Load	212000	lbf	945000	N
Weight	76	lb	34.5	kg
Max. Speed T-Seals & Grease	1000	rpm		
Rad. Clearance - Max.				

**TIMKEN**

THE TIMKEN COMPANY  
NORTH CANTON, OHIO USA

**DVC26K407S**

Tapered Adapter Piloted Flange  
Cartridge

Every reasonable effort has been made to ensure the accuracy of the information contained in this writing, but no liability is accepted for errors, omissions or for any other reason.

**FOR DISCUSSION ONLY**