



**The Timken Company**

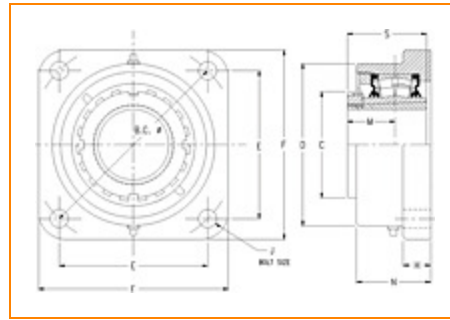
4500 Mt Pleasant St. NW

N. Canton, OH 44720

**Phone:** (234) 262-3000

**E-Mail:** [CustomerCAD@timken.com](mailto:CustomerCAD@timken.com) • **Web site:** [www.timken.com](http://www.timken.com)

## Part Number DVF11K115S, Tapered Adapter Four Bolt Square Flange Block



[Specifications](#) | [Dimensions](#) | [Radial and Thrust Factors](#) | [Engineering Seal Speed](#) | [Engineering Bearing Attributes](#) | [Engineering Internal Radial Clearance](#)

### Specifications

**Engineering Group** Mounted Bearing

**Bearing Number** 22211

**Shaft Size** 1 15/16 in

**Shaft Size Type** Imperial

**Full Timken Part Number**

- DVF11K115SB
- DVF11K115SC
- DVF11K115SEB
- DVF11K115SEC
- DVF11K115SEM
- DVF11K115SEN
- DVF11K115SEO
- DVF11K115SET
- DVF11K115SM
- DVF11K115SN
- DVF11K115SO
- DVF11K115ST



<b>Locking Style</b>	Tapered Adapter
<b>Housing Construction</b>	Four-Bolt Square Flange
<b>UPC Code</b>	0883450005623 0883450005630 0883450005654 0883450005661 0883450005678 0883450005685 0883450005692 0883450005708 0883450196437 0883450196635 0883450273947 0883450274142

## Dimensions

<b>Dimension BC</b>	6.19 in 157.2 mm
<b>Dimension C</b>	2.95 in 74.9 mm
<b>Dimension D</b>	4.8 in 121.9 mm
<b>Dimension E</b>	4.38 in 111.3 mm
<b>Dimension F</b>	5.5000 in 139.700 mm
<b>Dimension H</b>	0.88 in 22.4 mm
<b>Dimension J (Bolt Size)</b>	0.5 in 12 mm
<b>Dimension L</b>	2.81 in 71.5 mm

<b>Dimension M</b>	1.4 in 35.6 mm
--------------------	-------------------

<b>Dimension N</b>	2.56 in 65 mm
--------------------	------------------

<b>Dimension S</b>	2.32 in 58.9 mm
--------------------	--------------------

## Radial and Thrust Factors

<b>C0 - Static Load</b>	31900 lbf 142000 N
-------------------------	-----------------------

<b>C - Dynamic Load (Basic)</b>	31400 lbf 140000 N
---------------------------------	-----------------------

<b>e - Geometry Factor</b>	0.26
----------------------------	------

<b>Y1 - Geometry Factor</b>	2.64
-----------------------------	------

<b>Y2 - Geometry Factor</b>	3.93
-----------------------------	------

## Engineering Seal Speed

<b>Oil Lubrication - M/N Seal</b>	2200 rpm
-----------------------------------	----------

<b>Oil Lubrication - T Seal</b>	3800 rpm
---------------------------------	----------

<b>Oil Lubrication - B/C/O Seal</b>	1800 rpm
-------------------------------------	----------

<b>Grease Lubrication - M/N Seal</b>	2200 rpm
--------------------------------------	----------

<b>Grease Lubrication - T Seal</b>	3200 rpm
------------------------------------	----------

<b>Grease Lubrication - B/C/O Seal</b>	1600 rpm
--	----------

## Engineering Bearing Attributes

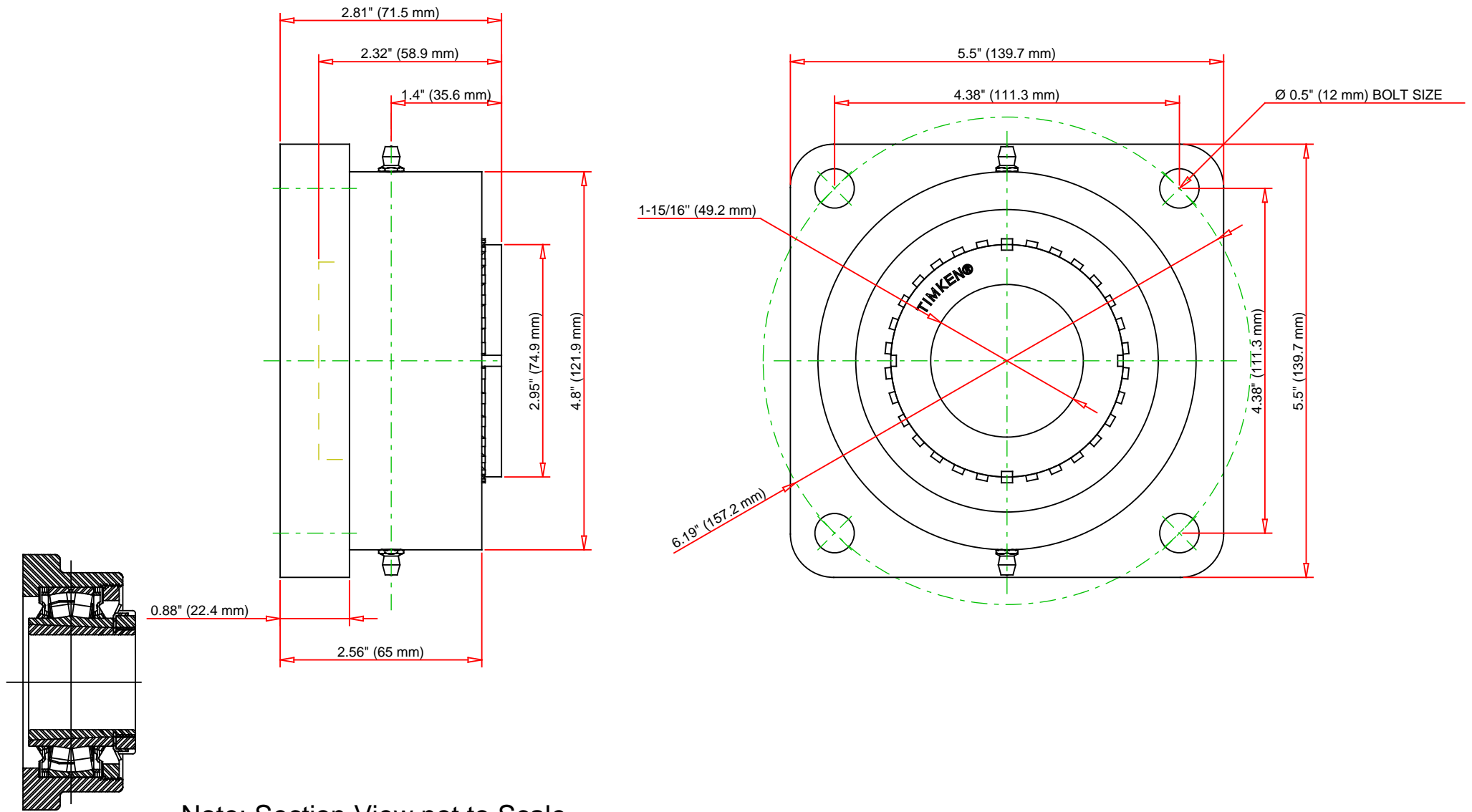
<b>Float</b>	0.050 in 1.270 mm
--------------	----------------------

<b>Shaft Tolerance</b>	0.0030 in 0.076 mm
------------------------	-----------------------

## Engineering Internal Radial Clearance

<b>Pre Install Clearance Min</b>	0.0030 in 0.075 mm
----------------------------------	-----------------------

<b>Pre Install Clearance Max</b>	0.0037 in 0.094 mm
----------------------------------	-----------------------



Note: Section View not to Scale

C - Dynamic Load	31400	lbf	140000	N
C0 - Static Load	31900	lbf	142000	N
Weight	12	lb	5.4	kg
Max. Speed T-Seals & Grease	3200	rpm		
Rad. Clearance - Max.				

**TIMKEN**

THE TIMKEN COMPANY  
NORTH CANTON, OHIO USA

**DVF11K115S**

Tapered Adapter Four Bolt Square  
Flange Block

Every reasonable effort has been made to ensure the accuracy of the information contained in this writing, but no liability is accepted for errors, omissions or for any other reason.

**FOR DISCUSSION ONLY**