



The Timken Company

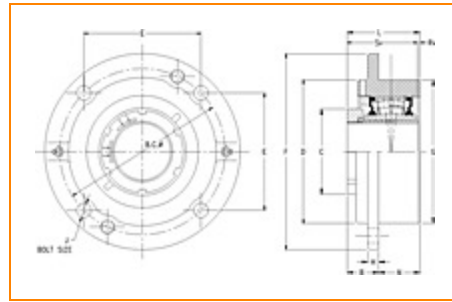
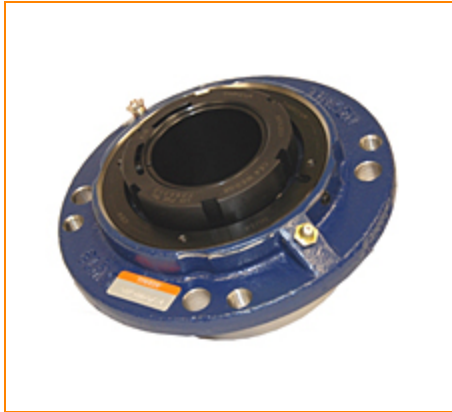
4500 Mt Pleasant St. NW

N. Canton, OH 44720

Phone: (234) 262-3000

E-Mail: CustomerCAD@timken.com • **Web site:** www.timken.com

Part Number QVC16V215S, Single V-Lock Piloted Flange Cartridge



[Specifications](#) | [Dimensions](#) | [Radial and Thrust Factors](#) | [Engineering Seal Speed](#) | [Engineering Bearing Attributes](#) | [Engineering Internal Radial Clearance](#)

Specifications

Engineering Group Mounted Bearing

Bearing Number 22216

Shaft Size 2 15/16 in

Shaft Size Type Imperial

Full Timken Part Number

- QVC16V215SB
- QVC16V215SC
- QVC16V215SEB
- QVC16V215SEC
- QVC16V215SEM
- QVC16V215SEN
- QVC16V215SEO
- QVC16V215SET
- QVC16V215SM
- QVC16V215SN
- QVC16V215SO
- QVC16V215ST



Locking Style	Single V-Lock
Housing Construction	Piloted Flange Cartridge

UPC Code	0883450037525
	0883450061513
	0883450105255
	0883450105293
	0883450184090
	0883450213028
	0883450213400
	0883450225441
	0883450225823
	0883450237864
0883450238243	
0883450295307	

Dimensions

Dimension BC 7-1/2 in
190.5 mm

Dimension C 4.19 in
106.4 mm

Dimension D 6.38 in
162.1 mm

Dimension E 5.3 in
134.6 mm

Dimension B Exp 2.16 in
54.9 mm

Dimension B Fix 2.08 in
52.8 mm

Dimension F 8-3/4 in
222.3 mm

Dimension H 0.81 in
20.6 mm

Dimension J (Bolt Size)	0.625 in 16 mm
Dimension L	3.33 in 84.6 mm
Dimension RV	0.04 in 1 mm
Dimension SV	3.29 in 83.6 mm
Dimension G	6.375 in 161.9 mm
Dimension N	1.25 in 31.8 mm

Radial and Thrust Factors

C0 - Static Load	62500 lbf 278000 N
C - Dynamic Load (Basic)	57200 lbf 254000 N
e - Geometry Factor	0.22
Y1 - Geometry Factor	3.14
Y2 - Geometry Factor	4.67

Engineering Seal Speed

Oil Lubrication - M/N Seal	1500 rpm
Oil Lubrication - T Seal	2650 rpm
Oil Lubrication - B/C/O Seal	1200 rpm
Grease Lubrication - M/N Seal	1500 rpm

Grease Lubrication - T Seal	2200 rpm
------------------------------------	----------

Grease Lubrication - B/C/O Seal	1150 rpm
--	----------

Engineering Bearing Attributes

Float	0.083 in 2.108 mm
--------------	----------------------

Shaft Tolerance	0.0020 in 0.051 mm
------------------------	-----------------------

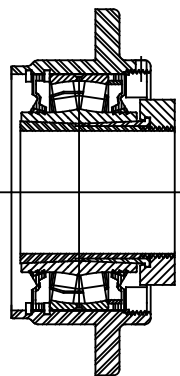
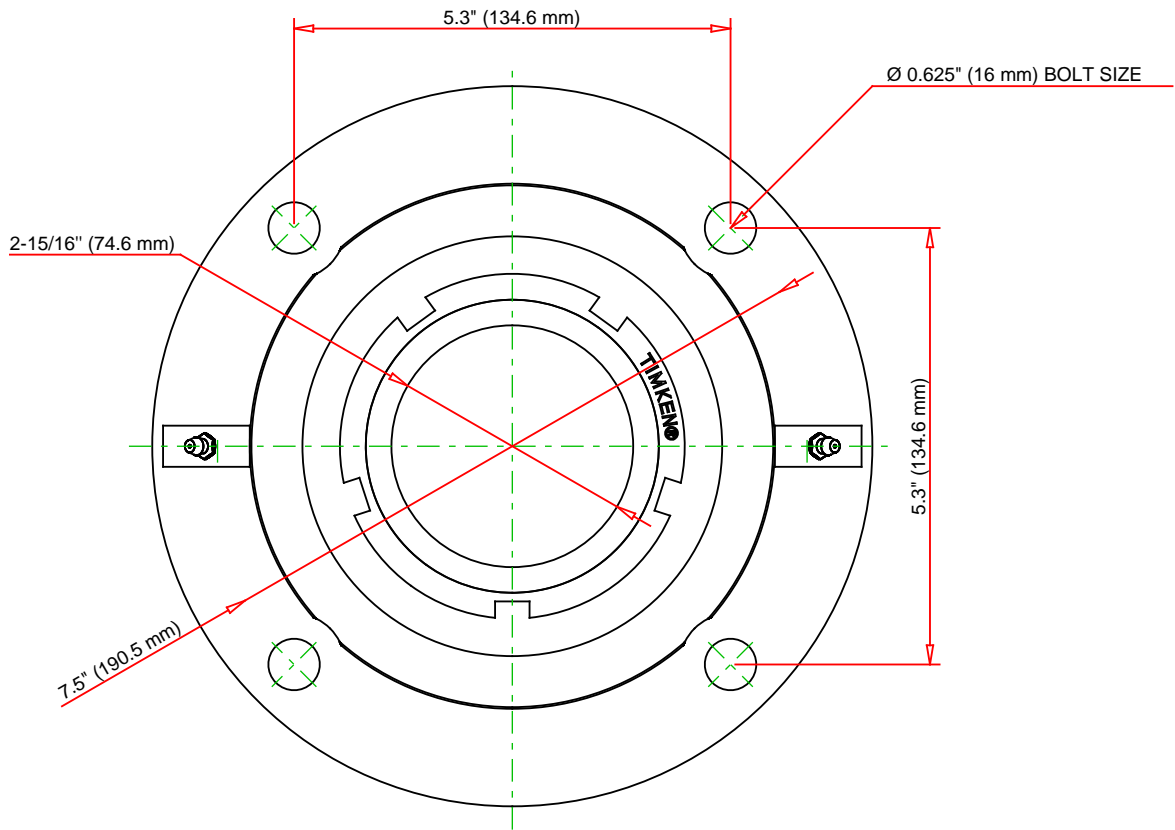
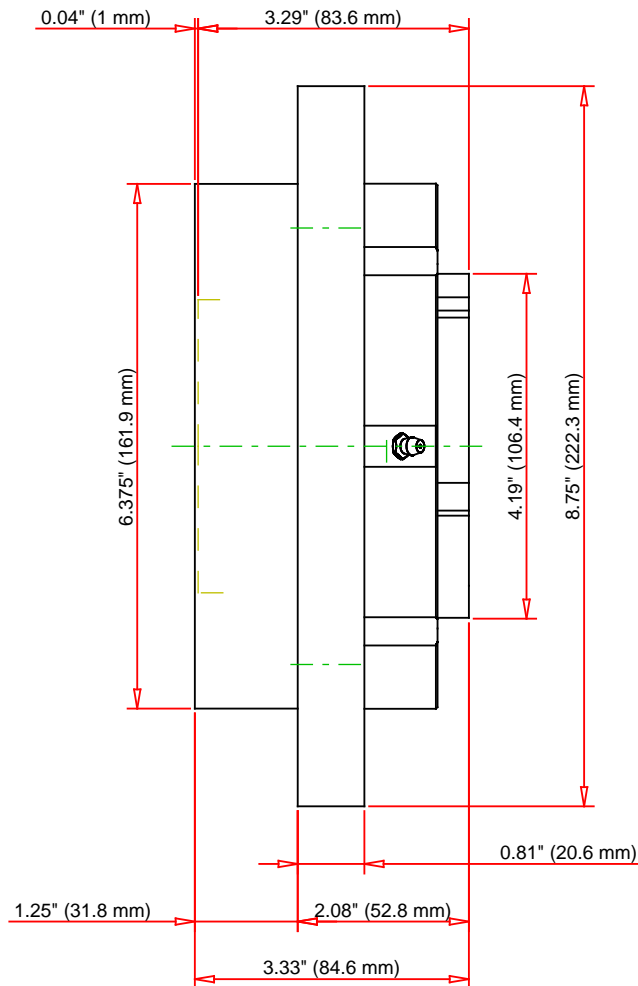
Engineering Internal Radial Clearance

Eng Internal Radial Clearance - Min	0.0037
--	--------

Eng Internal Radial Clearance - Max	0.0047
--	--------

Pre Install Clearance Min	0.0037 in 0.095 mm
----------------------------------	-----------------------

Pre Install Clearance Max	0.0047 in 0.120 mm
----------------------------------	-----------------------



Note: Section View not to Scale

C - Dynamic Load	57200	lbf	254000	N
C0 - Static Load	62500	lbf	278000	N
Weight	22	lb	10	kg
Max. Speed T-Seals & Grease	2200	rpm		
Rad. Clearance - Max.	0.0047			

TIMKEN

THE TIMKEN COMPANY
NORTH CANTON, OHIO USA

QVC16V215S
Single V-Lock Piloted Flange Cartridge

Every reasonable effort has been made to ensure the accuracy of the information contained in this writing, but no liability is accepted for errors, omissions or for any other reason.

FOR DISCUSSION ONLY