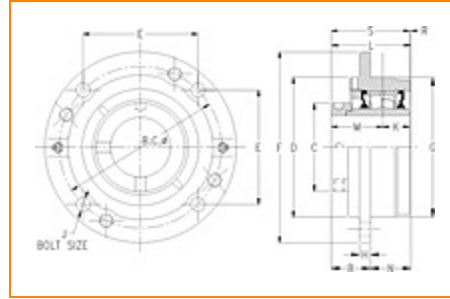


TIMKEN**The Timken Company**

4500 Mt Pleasant St. NW

N. Canton, OH 44720

Phone: (234) 262-3000**E-Mail:** CustomerCAD@timken.com • **Web site:** www.timken.com**Part Number QMCW11J204S, Eccentric Piloted Flange Cartridge**

[Specifications](#) | [Dimensions](#) | [Radial and Thrust Factors](#) | [Engineering Seal Speed](#) | [Engineering Bearing Attributes](#) | [Engineering Internal Radial Clearance](#)

Specifications

Engineering Group Mounted Bearing

Bearing Number 22211

Shaft Size 2 1/4 in

Shaft Size Type Imperial

Full Timken Part Number

- QMCW11J204SB
- QMCW11J204SC
- QMCW11J204SEB
- QMCW11J204SEC
- QMCW11J204SEM
- QMCW11J204SEN
- QMCW11J204SEO
- QMCW11J204SET
- QMCW11J204SM
- QMCW11J204SN
- QMCW11J204SO
- QMCW11J204ST



Locking Style	Eccentric
Housing Construction	Piloted Flange Cartridge
UPC Code	0883450062220 0883450062237 0883450062251 0883450062268 0883450062275 0883450062282 0883450062299 0883450062305 0883450166461 0883450167185 0883450258623 0883450259163

Dimensions

Dimension BC	6 in 152.4 mm
Dimension B Exp	1.88 in 47.8 mm
Dimension B Fix	1.8 in 45.7 mm
Dimension C	2.99 in 75.9 mm
Dimension D	5 in 127 mm
Dimension E	4.24 in 107.7 mm
Dimension F	7.13 in 181.1 mm
Dimension G	5 in 127 mm

Dimension H	0.56 in 14.2 mm
Dimension J (Bolt Size)	0.5 in 12 mm
Dimension K	1.13 in 28.7 mm
Dimension L Exp	3.5 in 88.9 mm
Dimension L Fix	3.42 in 86.9 mm
Dimension M	1.99 in 50.5 mm
Dimension N	1.63 in 41.4 mm
Dimension R	0.3 in 7.6 mm
Dimension S	3.12 in 79.2 mm

Radial and Thrust Factors

C0 - Static Load	31900 lbf 142000 N
C - Dynamic Load (Basic)	31400 lbf 140000 N
e - Geometry Factor	0.23
Y1 - Geometry Factor	2.95
Y2 - Geometry Factor	4.40

Engineering Seal Speed

Oil Lubrication - M/N Seal	2200 rpm
-----------------------------------	----------

Oil Lubrication - T Seal	3800 rpm
---------------------------------	----------

Oil Lubrication - B/C/O Seal	1600 rpm
-------------------------------------	----------

Grease Lubrication - M/N Seal	2200 rpm
--------------------------------------	----------

Grease Lubrication - T Seal	3200 rpm
------------------------------------	----------

Grease Lubrication - B/C/O Seal	1600 rpm
--	----------

Engineering Bearing Attributes

Float	0.050 in 1.270 mm
--------------	----------------------

Shaft Tolerance	0.0015 in 0.038 mm
------------------------	-----------------------

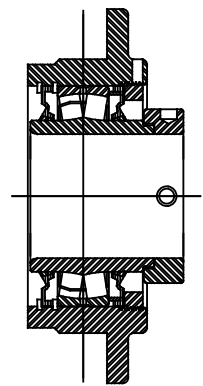
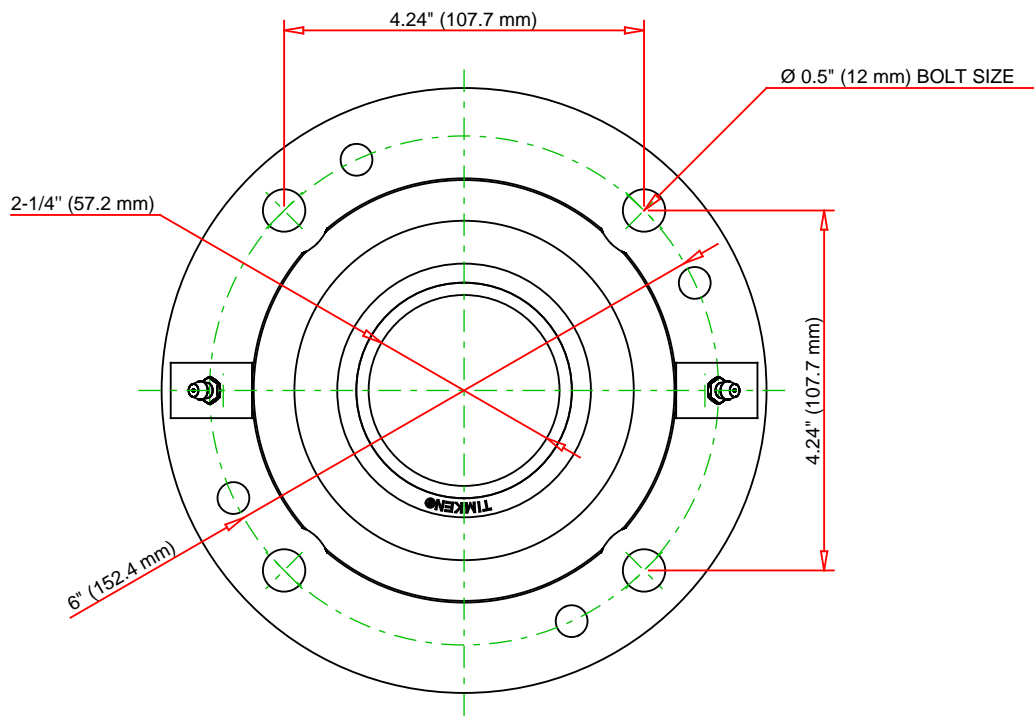
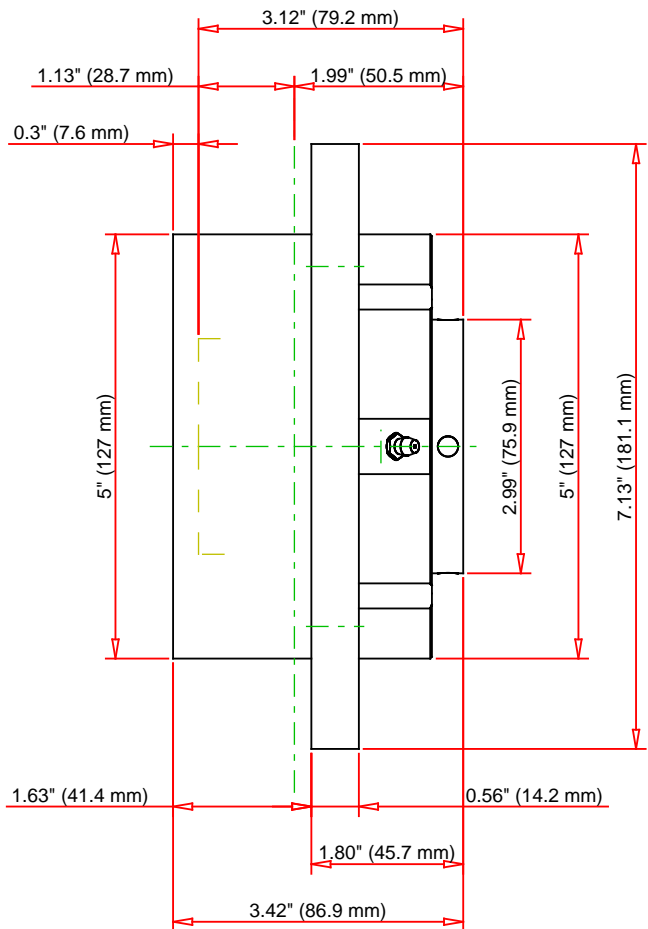
Engineering Internal Radial Clearance

Eng Internal Radial Clearance - Min	0.0016
--	--------

Eng Internal Radial Clearance - Max	0.0026
--	--------

Pre Install Clearance Min	0.0016 in 0.040 mm
----------------------------------	-----------------------

Pre Install Clearance Max	0.0026 in 0.065 mm
----------------------------------	-----------------------



Note: Section View not to Scale

C - Dynamic Load	31400	lbf	140000	N
C0 - Static Load	31900	lbf	142000	N
Weight	13	lb	5.9	kg
Max. Speed T-Seals & Grease	3200	rpm		
Rad. Clearance - Max.	0.0026			

TIMKEN

THE TIMKEN COMPANY
NORTH CANTON, OHIO USA

QMCW11J204S
Eccentric Piloted Flange Cartridge

Every reasonable effort has been made to ensure the accuracy of the information contained in this writing, but no liability is accepted for errors, omissions or for any other reason.

FOR DISCUSSION ONLY