



**The Timken Company**

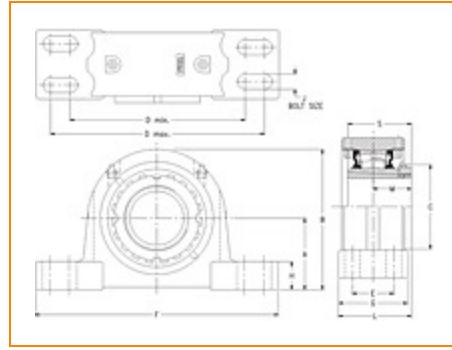
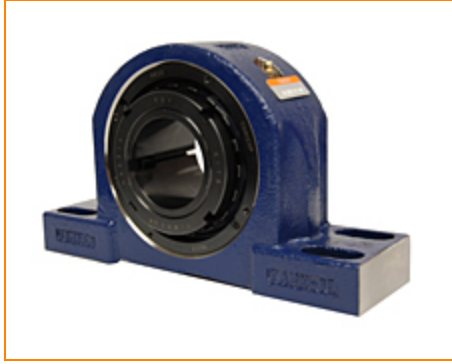
4500 Mt Pleasant St. NW

N. Canton, OH 44720

**Phone:** (234) 262-3000

**E-Mail:** [CustomerCAD@timken.com](mailto:CustomerCAD@timken.com) • **Web site:** [www.timken.com](http://www.timken.com)

## Part Number TAPH15K207S, Tapered Adapter Four-Bolt Pillow Block



[Specifications](#) | [Dimensions](#) | [Radial and Thrust Factors](#) | [Engineering Seal Speed](#) | [Engineering Bearing Attributes](#) | [Engineering Internal Radial Clearance](#)

### Specifications

**Engineering Group** Mounted Bearing

**Bearing Number** 22215

**Shaft Size** 2 7/16 in

**Shaft Size Type** Imperial

**Full Timken Part Number**

- TAPH15K207SB
- TAPH15K207SC
- TAPH15K207SEB
- TAPH15K207SEC
- TAPH15K207SEM
- TAPH15K207SEN
- TAPH15K207SEO
- TAPH15K207SET
- TAPH15K207SM
- TAPH15K207SN
- TAPH15K207SO
- TAPH15K207ST



<b>Locking Style</b>	Tapered Adapter
<b>Housing Construction</b>	Four-Bolt Pillow Block
<b>UPC Code</b>	0883450129077 0883450129084 0883450129107 0883450129114 0883450129121 0883450129138 0883450129145 0883450129152 0883450198509 0883450198707 0883450276009 0883450276207

## Dimensions

<b>Dimension A</b>	3.25 in 82.6 mm
<b>Dimension B</b>	6.38 in 162.1 mm
<b>Dimension C</b>	3.86 in 98 mm
<b>Dimension D Min</b>	7.94 in 201.7 mm
<b>Dimension D Max</b>	9.69 in 246.1 mm
<b>Dimension E</b>	1.88 in 47.8 mm
<b>Dimension F</b>	10.88 in 276.4 mm
<b>Dimension G</b>	3.13 in 79.5 mm

<b>Dimension H</b>	1.29 in 32.8 mm
--------------------	--------------------

<b>Dimension J (Bolt Size)</b>	0.5 in 12 mm
--------------------------------	-----------------

<b>Dimension L</b>	3.29 in 83.6 mm
--------------------	--------------------

<b>Dimension M</b>	1.73 in 43.9 mm
--------------------	--------------------

<b>Dimension S</b>	2.87 in 72.9 mm
--------------------	--------------------

## Radial and Thrust Factors

<b>C0 - Static Load</b>	54100 lbf 240000 N
-------------------------	-----------------------

<b>C - Dynamic Load (Basic)</b>	49900 lbf 222000 N
---------------------------------	-----------------------

<b>e - Geometry Factor</b>	0.22
----------------------------	------

<b>Y1 - Geometry Factor</b>	3.14
-----------------------------	------

<b>Y2 - Geometry Factor</b>	4.67
-----------------------------	------

## Engineering Seal Speed

<b>Oil Lubrication - M/N Seal</b>	1600 rpm
-----------------------------------	----------

<b>Oil Lubrication - T Seal</b>	2900 rpm
---------------------------------	----------

<b>Oil Lubrication - B/C/O Seal</b>	1300 rpm
-------------------------------------	----------

<b>Grease Lubrication - M/N Seal</b>	1600 rpm
--------------------------------------	----------

<b>Grease Lubrication - T Seal</b>	2400 rpm
------------------------------------	----------

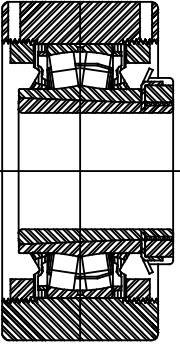
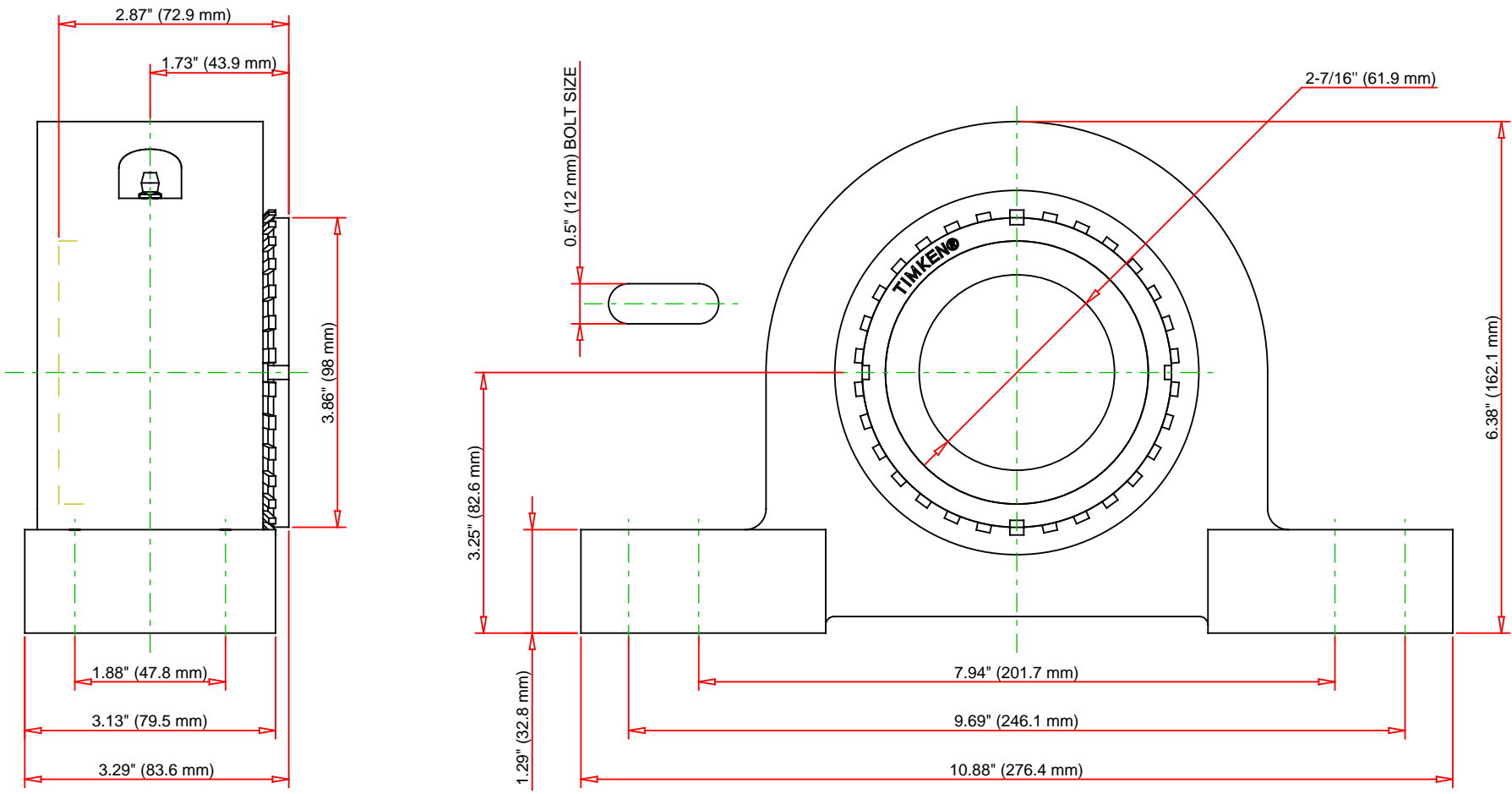
<b>Grease Lubrication - B/C/O Seal</b>	1300 rpm
--	----------

## Engineering Bearing Attributes

<b>Float</b>	0.083 in 2.108 mm
<b>Shaft Tolerance</b>	0.0035 in 0.089 mm

## Engineering Internal Radial Clearance

<b>Pre Install Clearance Min</b>	0.0037 in 0.094 mm
<b>Pre Install Clearance Max</b>	0.0047 in 0.119 mm



Note: Section View not to Scale

C - Dynamic Load	49900	lbf	222000	N
C0 - Static Load	54100	lbf	240000	N
Weight	29	lb	13.2	kg
Max. Speed T-Seals & Grease	2400	rpm		
Rad. Clearance - Max.				

**TIMKEN**

THE TIMKEN COMPANY  
NORTH CANTON, OHIO USA

**TAPH15K207S**  
Tapered Adapter Four-Bolt Pillow  
Block

Every reasonable effort has been made to ensure the accuracy of the information contained in this writing, but no liability is accepted for errors, omissions or for any other reason.

**FOR DISCUSSION ONLY**