



The Timken Company

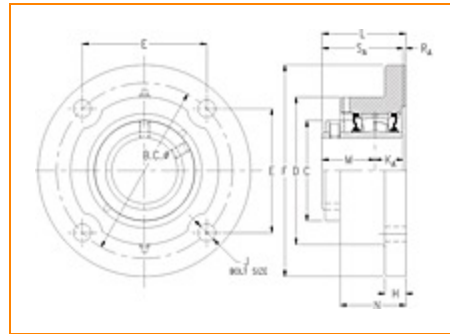
4500 Mt Pleasant St. NW

N. Canton, OH 44720

Phone: (234) 262-3000

E-Mail: CustomerCAD@timken.com • **Web site:** www.timken.com

Part Number QAFY13A207S, Single Concentric Round Flange Block



[Specifications](#) | [Dimensions](#) | [Radial and Thrust Factors](#) | [Engineering Seal Speed](#) | [Engineering Bearing Attributes](#) | [Engineering Internal Radial Clearance](#)

Specifications

Engineering Group Mounted Bearing

Bearing Number 22213

Shaft Size 2 7/16 in

Shaft Size Type Imperial

Full Timken Part Number

- QAFY13A207SB
- QAFY13A207SC
- QAFY13A207SEB
- QAFY13A207SEC
- QAFY13A207SEM
- QAFY13A207SEN
- QAFY13A207SENF
- QAFY13A207SENF
- QAFY13A207SEO
- QAFY13A207SET
- QAFY13A207SM
- QAFY13A207SN
- QAFY13A207SO



QAFY13A207ST

Locking Style	Single Concentric
Housing Construction	Round Flange
UPC Code	0883450041607 0883450041614 0883450041645 0883450041652 0883450041669 0883450041676 0883450041683 0883450191975 0883450192132 0883450192293 0883450269339 0883450269490 0883450492782

Dimensions

Dimension BC	6.75 in 171.5 mm
Dimension C	4 in 101.6 mm
Dimension D	5.75 in 146.1 mm
Dimension E	4.77 in 121.2 mm
Dimension F	8.13 in 206.5 mm
Dimension H	0.94 in 23.9 mm
Dimension J (Bolt Size)	0.625 in 16 mm

Dimension KA	1.24 in 31.5 mm
Dimension L Exp	3.67 in 93.2 mm
Dimension L Fix	3.59 in 91.2 mm
Dimension M	2.15 in 54.6 mm
Dimension N	2.85 in 72.4 mm
Dimension RA	0.20 in 5.1 mm
Dimension SA	3.39 in 86.1 mm

Radial and Thrust Factors

C0 - Static Load	48600 lbf 216000 N
C - Dynamic Load (Basic)	46400 lbf 206000 N
e - Geometry Factor	0.24
Y1 - Geometry Factor	2.79
Y2 - Geometry Factor	4.15

Engineering Seal Speed

Oil Lubrication - M/N Seal	1800 rpm
Oil Lubrication - T Seal	3200 rpm
Oil Lubrication - B/C/O Seal	1500 rpm

Grease Lubrication - M/N Seal	1800 rpm
--------------------------------------	----------

Grease Lubrication - T Seal	2800 rpm
------------------------------------	----------

Grease Lubrication - B/C/O Seal	1500 rpm
--	----------

Engineering Bearing Attributes

Float	0.083 in 2.108 mm
--------------	----------------------

Shaft Tolerance	0.0015 in 0.038 mm
------------------------	-----------------------

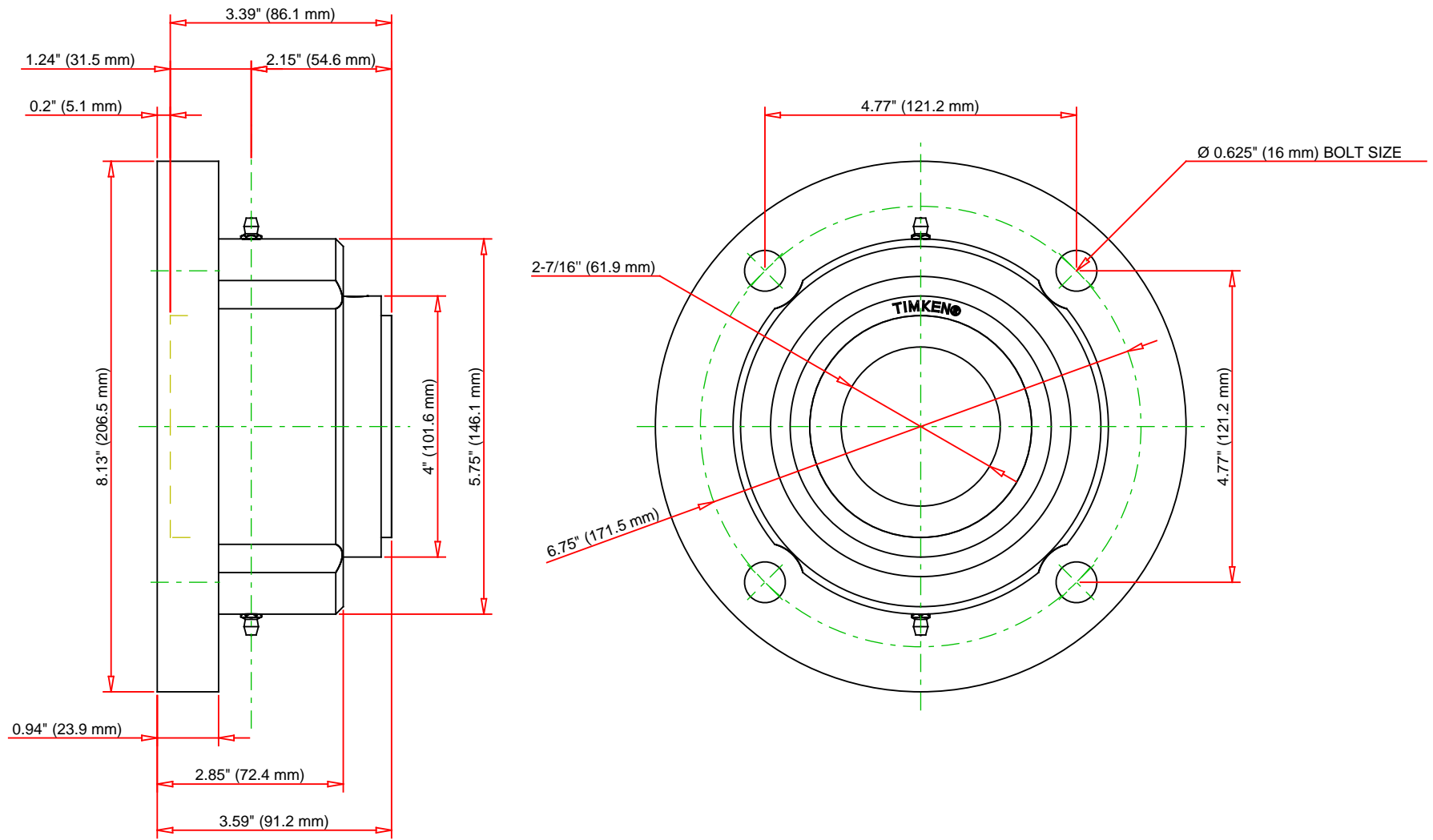
Engineering Internal Radial Clearance

Eng Internal Radial Clearance - Min	0.0016
--	--------

Eng Internal Radial Clearance - Max	0.0026
--	--------

Pre Install Clearance Min	0.0016 in 0.040 mm
----------------------------------	-----------------------

Pre Install Clearance Max	0.0026 in 0.065 mm
----------------------------------	-----------------------



Note: Section View not to Scale

C - Dynamic Load	46400	lbf	206000	N
C0 - Static Load	48600	lbf	216000	N
Weight	19	lb	8.6	kg
Max. Speed T-Seals & Grease	2800	rpm		
Rad. Clearance - Max.	0.0026			

TIMKEN

THE TIMKEN COMPANY
NORTH CANTON, OHIO USA

QAFY13A207S
Single Concentric Round Flange Block

Every reasonable effort has been made to ensure the accuracy of the information contained in this writing, but no liability is accepted for errors, omissions or for any other reason.

FOR DISCUSSION ONLY