



The Timken Company

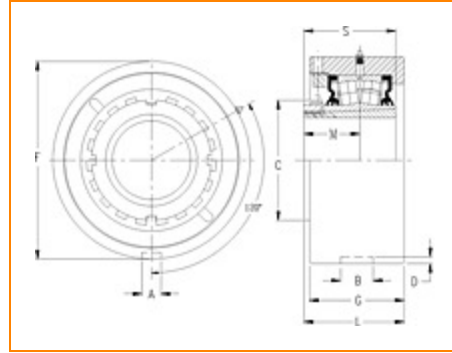
4500 Mt Pleasant St. NW

N. Canton, OH 44720

Phone: (234) 262-3000

E-Mail: CustomerCAD@timken.com • **Web site:** www.timken.com

Part Number TAMC15K207S, Tapered Adapter Cartridge Block



[Specifications](#) | [Dimensions](#) | [Radial and Thrust Factors](#) | [Engineering Seal Speed](#) | [Engineering Bearing Attributes](#) | [Engineering Internal Radial Clearance](#)

Specifications

Engineering Group Mounted Bearing

Bearing Number 22215

Shaft Size 2 7/16 in

Shaft Size Type Imperial

Full Timken Part Number

- TAMC15K207SB
- TAMC15K207SC
- TAMC15K207SEB
- TAMC15K207SEC
- TAMC15K207SEM
- TAMC15K207SEN
- TAMC15K207SEO
- TAMC15K207SET
- TAMC15K207SM
- TAMC15K207SN
- TAMC15K207SO
- TAMC15K207ST



Locking Style	Tapered Adapter
Housing Construction	Cartridge
UPC Code	0883450123075 0883450123082 0883450123105 0883450123112 0883450123129 0883450123136 0883450123143 0883450123150 0883450200103 0883450200318 0883450277747 0883450277945

Dimensions

Dimension A	0.59 in 15.1 mm
Dimension B	1.03 in 26.2 mm
Dimension C	3.86 in 98 mm
Dimension D	0.25 in 6.4 mm
Dimension F	5 7/8 in 149.2 mm
Dimension G	2.78 in 70.6 mm
Dimension L Exp	3.16 in 80.3 mm
Dimension L Fix	3.08 in 78.2 mm

Dimension M	1.73 in 43.9 mm
--------------------	--------------------

Dimension S	2.87 in 72.9 mm
--------------------	--------------------

Radial and Thrust Factors

C0 - Static Load	54100 lbf 240000 N
-------------------------	-----------------------

C - Dynamic Load (Basic)	49900 lbf 222000 N
---------------------------------	-----------------------

e - Geometry Factor	0.22
----------------------------	------

Y1 - Geometry Factor	3.14
-----------------------------	------

Y2 - Geometry Factor	4.67
-----------------------------	------

Engineering Seal Speed

Oil Lubrication - M/N Seal	1600 rpm
-----------------------------------	----------

Oil Lubrication - T Seal	2900 rpm
---------------------------------	----------

Oil Lubrication - B/C/O Seal	1300 rpm
-------------------------------------	----------

Grease Lubrication - M/N Seal	1600 rpm
--------------------------------------	----------

Grease Lubrication - T Seal	2400 rpm
------------------------------------	----------

Grease Lubrication - B/C/O Seal	1300 rpm
--	----------

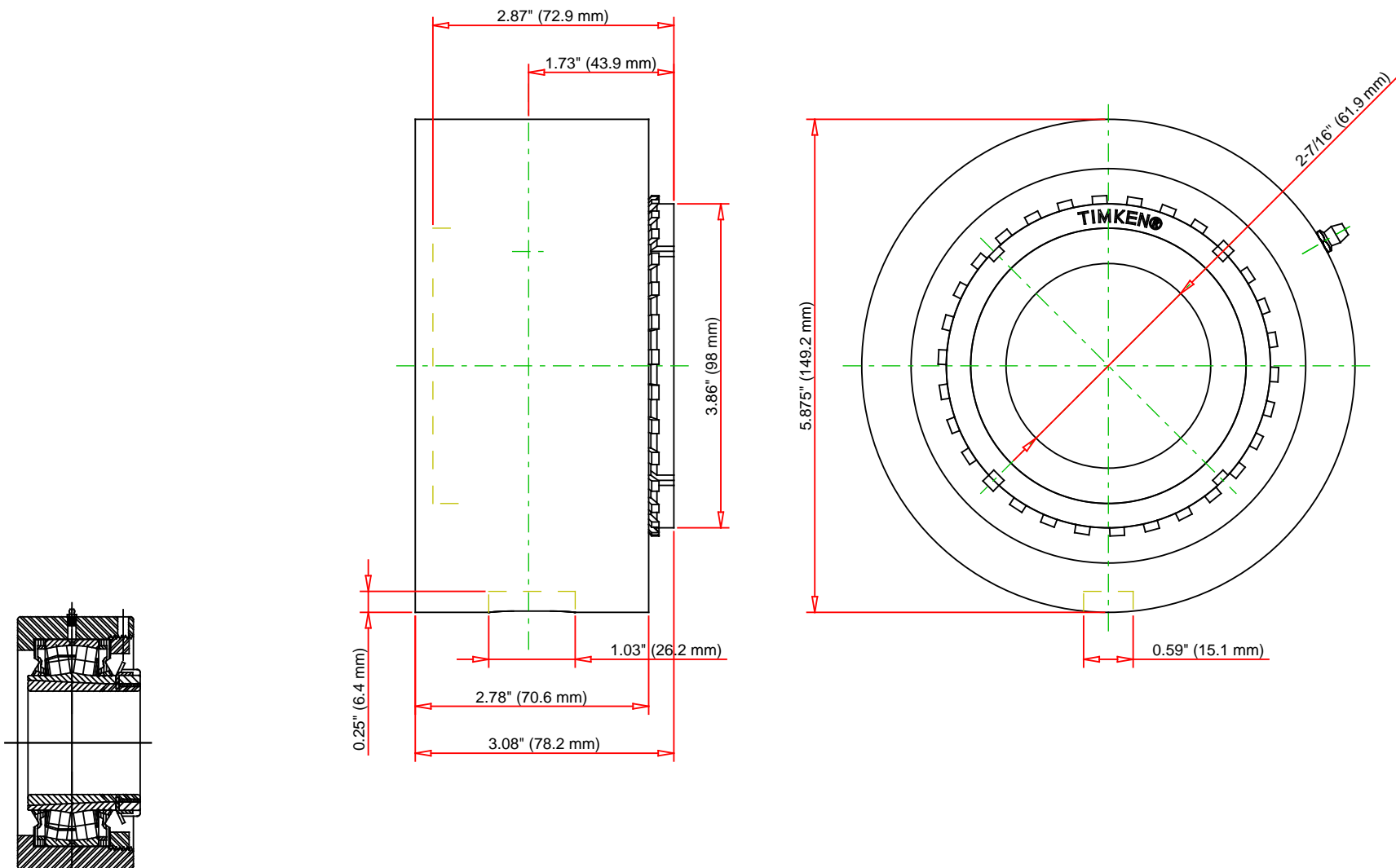
Engineering Bearing Attributes

Float	0.083 in 2.108 mm
--------------	----------------------

Shaft Tolerance	0.0035 in 0.089 mm
------------------------	-----------------------

Engineering Internal Radial Clearance

Pre Install Clearance Min	0.0037 in 0.095 mm
Pre Install Clearance Max	0.0047 in 0.120 mm



Note: Section View not to Scale

C - Dynamic Load	49900	lbf	222000	N
C0 - Static Load	54100	lbf	240000	N
Weight	18	lb	8.2	kg
Max. Speed T-Seals & Grease	2400	rpm		
Rad. Clearance - Max.				

TIMKEN
 THE TIMKEN COMPANY
 NORTH CANTON, OHIO USA

TAMC15K207S
 Tapered Adapter Cartridge Block

Every reasonable effort has been made to ensure the accuracy of the information contained in this writing, but no liability is accepted for errors, omissions or for any other reason.

FOR DISCUSSION ONLY