



The Timken Company

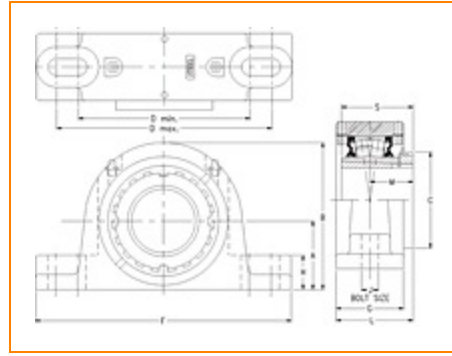
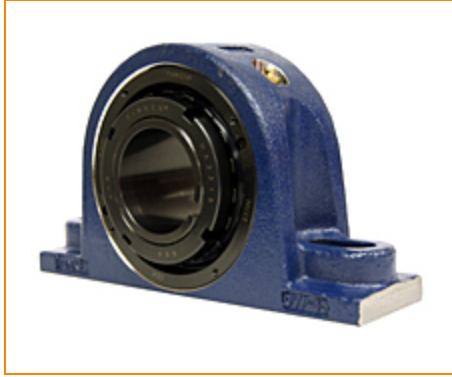
4500 Mt Pleasant St. NW

N. Canton, OH 44720

Phone: (234) 262-3000

E-Mail: CustomerCAD@timken.com • **Web site:** www.timken.com

Part Number TAPA15K065S, Tapered Adapter Two-Bolt Pillow Block



[Specifications](#) | [Dimensions](#) | [Radial and Thrust Factors](#) | [Engineering Seal Speed](#) | [Engineering Bearing Attributes](#) | [Engineering Internal Radial Clearance](#)

Specifications

Engineering Group Mounted Bearing

Bearing Number 22215

Shaft Size 65 mm

Shaft Size Type Metric

Full Timken Part Number

- TAPA15K065SB
- TAPA15K065SC
- TAPA15K065SEB
- TAPA15K065SEC
- TAPA15K065SEM
- TAPA15K065SEN
- TAPA15K065SEO
- TAPA15K065SET
- TAPA15K065SM
- TAPA15K065SN
- TAPA15K065SO
- TAPA15K065ST



| | |
|----------------------|-----------------|
| Locking Style | Tapered Adapter |
|----------------------|-----------------|

| | |
|-----------------------------|-----------------------|
| Housing Construction | Two-Bolt Pillow Block |
|-----------------------------|-----------------------|

| | |
|-----------------|---------------|
| UPC Code | 0883450124973 |
| | 0883450124980 |
| | 0883450125000 |
| | 0883450125017 |
| | 0883450125024 |
| | 0883450125031 |
| | 0883450125048 |
| | 0883450125055 |
| | 0883450197724 |
| | 0883450197922 |
| 0883450275224 | |
| 0883450275422 | |

Dimensions

| | |
|--------------------|--------------------|
| Dimension A | 3.25 in 82.6 mm |
|--------------------|--------------------|

| | |
|--------------------|---------------------|
| Dimension B | 6.43 in 163.3 mm |
|--------------------|---------------------|

| | |
|--------------------|------------------|
| Dimension C | 3.86 in 98 mm |
|--------------------|------------------|

| | |
|------------------------|---------------------|
| Dimension D Min | 7.88 in 200.2 mm |
|------------------------|---------------------|

| | |
|------------------------|---------------------|
| Dimension D Max | 9.63 in 244.6 mm |
|------------------------|---------------------|

| | |
|--------------------|----------------------|
| Dimension F | 10.88 in 276.4 mm |
|--------------------|----------------------|

| | |
|--------------------|-------------------|
| Dimension G | 2.7 in 68.6 mm |
|--------------------|-------------------|

| | |
|--------------------|---------------------|
| Dimension H | 1-1/4 in 31.8 mm |
|--------------------|---------------------|

| | |
|--------------------------------|-------------------|
| Dimension J (Bolt Size) | 0.625 in 16 mm |
|--------------------------------|-------------------|

| | |
|--------------------|--------------------|
| Dimension L | 3.08 in 78.2 mm |
|--------------------|--------------------|

| | |
|--------------------|--------------------|
| Dimension M | 1.73 in 43.9 mm |
|--------------------|--------------------|

| | |
|--------------------|--------------------|
| Dimension S | 2.87 in 72.9 mm |
|--------------------|--------------------|

Radial and Thrust Factors

| | |
|-------------------------|-----------------------|
| C0 - Static Load | 54100 lbf 240000 N |
|-------------------------|-----------------------|

| | |
|---------------------------------|-----------------------|
| C - Dynamic Load (Basic) | 49900 lbf 222000 N |
|---------------------------------|-----------------------|

| | |
|----------------------------|------|
| e - Geometry Factor | 0.22 |
|----------------------------|------|

| | |
|-----------------------------|------|
| Y1 - Geometry Factor | 3.14 |
|-----------------------------|------|

| | |
|-----------------------------|------|
| Y2 - Geometry Factor | 4.67 |
|-----------------------------|------|

Engineering Seal Speed

| | |
|-----------------------------------|----------|
| Oil Lubrication - M/N Seal | 1600 rpm |
|-----------------------------------|----------|

| | |
|---------------------------------|----------|
| Oil Lubrication - T Seal | 2900 rpm |
|---------------------------------|----------|

| | |
|-------------------------------------|----------|
| Oil Lubrication - B/C/O Seal | 1300 rpm |
|-------------------------------------|----------|

| | |
|--------------------------------------|----------|
| Grease Lubrication - M/N Seal | 1600 rpm |
|--------------------------------------|----------|

| | |
|------------------------------------|----------|
| Grease Lubrication - T Seal | 2400 rpm |
|------------------------------------|----------|

| | |
|--|----------|
| Grease Lubrication - B/C/O Seal | 1300 rpm |
|--|----------|

Engineering Bearing Attributes

| | |
|--------------|----------------------|
| Float | 0.083 in 2.108 mm |
|--------------|----------------------|

| | |
|------------------------|-----------------------|
| Shaft Tolerance | 0.0035 in 0.089 mm |
|------------------------|-----------------------|

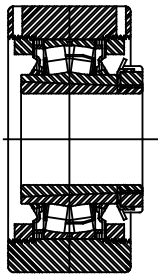
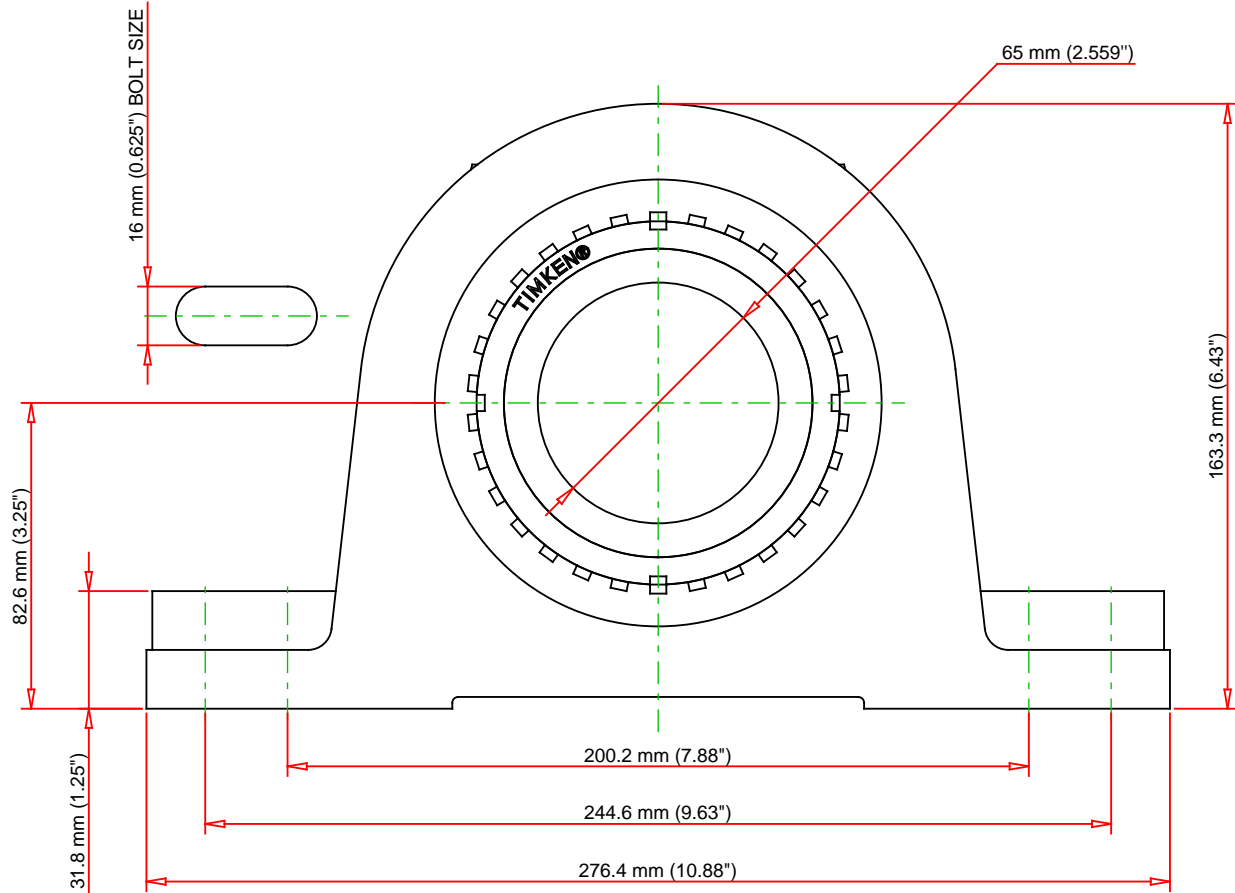
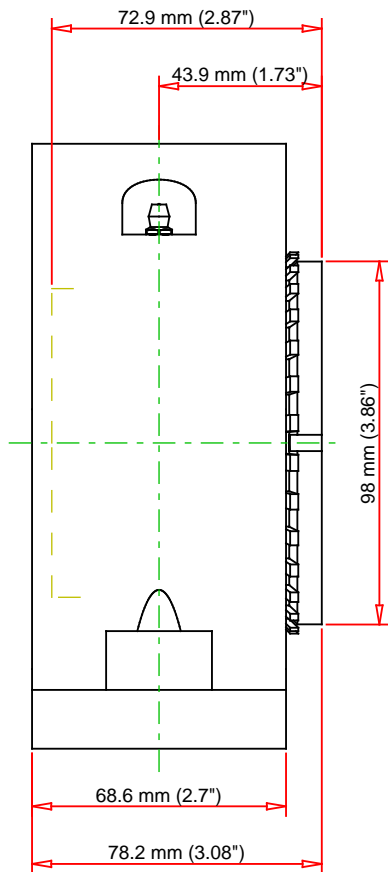
Engineering Internal Radial Clearance

| | |
|--|--------|
| Eng Internal Radial Clearance - Min | 0.0037 |
|--|--------|

| | |
|--|--------|
| Eng Internal Radial Clearance - Max | 0.0047 |
|--|--------|

| | |
|----------------------------------|-----------------------|
| Pre Install Clearance Min | 0.0037 in 0.095 mm |
|----------------------------------|-----------------------|

| | |
|----------------------------------|-----------------------|
| Pre Install Clearance Max | 0.0047 in 0.120 mm |
|----------------------------------|-----------------------|



Note: Section View not to Scale

| | | | | |
|-----------------------------|--------|-----|--------|----|
| C - Dynamic Load | 49900 | lbf | 222000 | N |
| C0 - Static Load | 54100 | lbf | 240000 | N |
| Weight | 27 | lb | 12.2 | kg |
| Max. Speed T-Seals & Grease | 2400 | rpm | | |
| Rad. Clearance - Max. | 0.0047 | | | |

TIMKEN

THE TIMKEN COMPANY
NORTH CANTON, OHIO USA

TAPA15K065S

Tapered Adapter Two-Bolt Pillow
Block

Every reasonable effort has been made to ensure the accuracy of the information contained in this writing, but no liability is accepted for errors, omissions or for any other reason.

FOR DISCUSSION ONLY