


The Timken Company

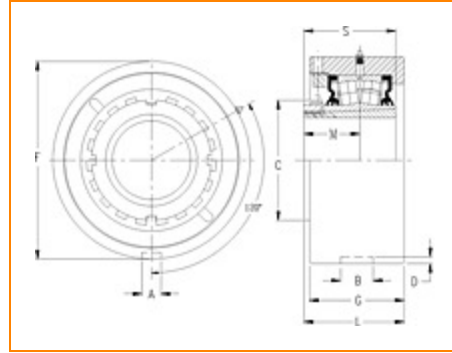
4500 Mt Pleasant St. NW

N. Canton, OH 44720

Phone: (234) 262-3000

E-Mail: CustomerCAD@timken.com • **Web site:** www.timken.com

Part Number TAMC22K315S, Tapered Adapter Cartridge Block



[Specifications](#) | [Dimensions](#) | [Radial and Thrust Factors](#) | [Engineering Seal Speed](#) | [Engineering Bearing Attributes](#) | [Engineering Internal Radial Clearance](#)

Specifications

Engineering Group Mounted Bearing

Bearing Number 22222

Shaft Size 3 15/16 in

Shaft Size Type Imperial

Full Timken Part Number

- TAMC22K315SB
- TAMC22K315SC
- TAMC22K315SEB
- TAMC22K315SEC
- TAMC22K315SEM
- TAMC22K315SEN
- TAMC22K315SEO
- TAMC22K315SET
- TAMC22K315SM
- TAMC22K315SN
- TAMC22K315SO
- TAMC22K315ST



Locking Style	Tapered Adapter
Housing Construction	Cartridge
UPC Code	0883450123976 0883450123983 0883450124003 0883450124010 0883450124027 0883450124034 0883450124041 0883450124058 0883450200196 0883450200400 0883450277839 0883450278034

Dimensions

Dimension A	0.78 in 19.8 mm
Dimension B	1.28 in 32.5 mm
Dimension C	5.71 in 145 mm
Dimension D	0.31 in 8 mm
Dimension F	8-3/4 in 222.3 mm
Dimension G	3.85 in 97.8 mm
Dimension L Exp	4.49 in 114 mm
Dimension L Fix	4.41 in 112 mm

Dimension M	2.48 in 63 mm
Dimension S	4.13 in 104.9 mm

Radial and Thrust Factors

C0 - Static Load	147000 lbf 653000 N
C - Dynamic Load (Basic)	125000 lbf 555000 N
e - Geometry Factor	0.24
Y1 - Geometry Factor	2.73
Y2 - Geometry Factor	4.06

Engineering Seal Speed

Oil Lubrication - M/N Seal	900 rpm
Oil Lubrication - T Seal	1700 rpm
Oil Lubrication - B/C/O Seal	600 rpm
Grease Lubrication - M/N Seal	900 rpm
Grease Lubrication - T Seal	1200 rpm
Grease Lubrication - B/C/O Seal	600 rpm

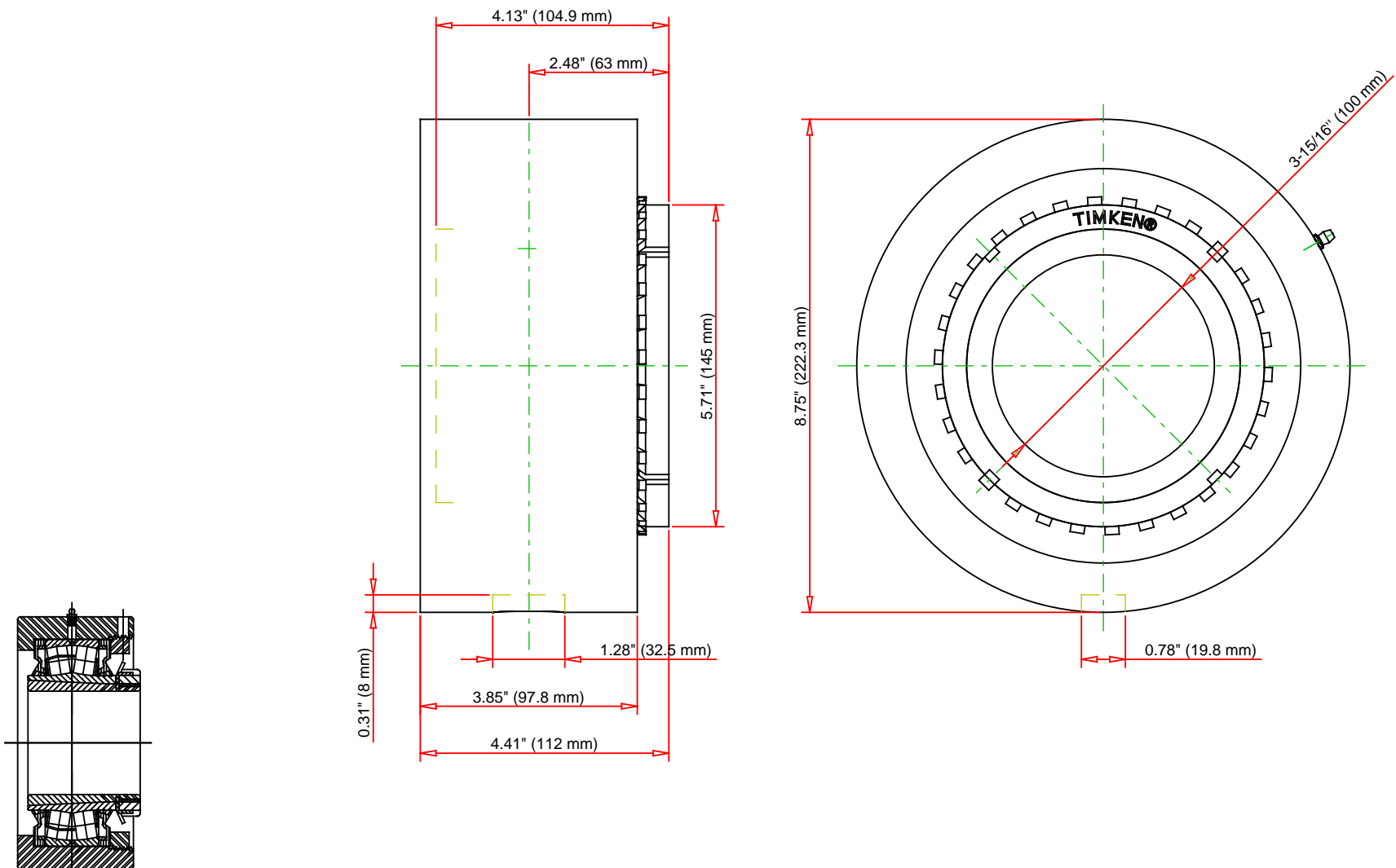
Engineering Bearing Attributes

Float	0.083 in 2.108 mm
--------------	----------------------

Shaft Tolerance	0.0040 in 0.102 mm
------------------------	-----------------------

Engineering Internal Radial Clearance

Pre Install Clearance Min	0.0053 in 0.135 mm
Pre Install Clearance Max	0.0067 in 0.170 mm



Note: Section View not to Scale

C - Dynamic Load	125000	lbf	555000	N
C0 - Static Load	147000	lbf	653000	N
Weight	40	lb	18.1	kg
Max. Speed T-Seals & Grease	1200	rpm		
Rad. Clearance - Max.				

TIMKEN
 THE TIMKEN COMPANY
 NORTH CANTON, OHIO USA

TAMC22K315S
 Tapered Adapter Cartridge Block

Every reasonable effort has been made to ensure the accuracy of the information contained in this writing, but no liability is accepted for errors, omissions or for any other reason.

FOR DISCUSSION ONLY