



**The Timken Company**

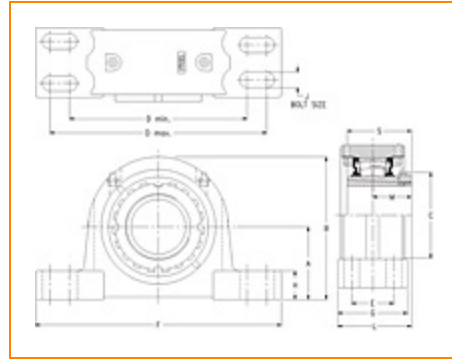
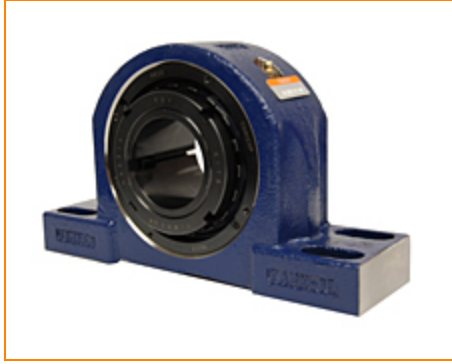
4500 Mt Pleasant St. NW

N. Canton, OH 44720

**Phone:** (234) 262-3000

**E-Mail:** [CustomerCAD@timken.com](mailto:CustomerCAD@timken.com) • **Web site:** [www.timken.com](http://www.timken.com)

## Part Number TAPG17K215S, Tapered Adapter Four-Bolt Pillow Block



[Specifications](#) | [Dimensions](#) | [Radial and Thrust Factors](#) | [Engineering Seal Speed](#) | [Engineering Bearing Attributes](#) | [Engineering Internal Radial Clearance](#)

### Specifications

**Engineering Group** Mounted Bearing

**Bearing Number** 22217

**Shaft Size** 2 15/16 in

**Shaft Size Type** Imperial

**Full Timken Part Number**

- TAPG17K215SB
- TAPG17K215SC
- TAPG17K215SEB
- TAPG17K215SEC
- TAPG17K215SEM
- TAPG17K215SEN
- TAPG17K215SEO
- TAPG17K215SET
- TAPG17K215SM
- TAPG17K215SN
- TAPG17K215SO
- TAPG17K215ST



<b>Locking Style</b>	Tapered Adapter
<b>Housing Construction</b>	Four-Bolt Pillow Block
<b>UPC Code</b>	0883450127370 0883450127387 0883450127400 0883450127417 0883450127424 0883450127431 0883450127448 0883450127455 0883450198134 0883450198332 0883450275637 0883450275835

## Dimensions

<b>Dimension A</b>	3.74 in 95 mm
<b>Dimension B</b>	7.2 in 182.9 mm
<b>Dimension C</b>	4.33 in 110 mm
<b>Dimension D Min</b>	9.44 in 239.8 mm
<b>Dimension D Max</b>	11.31 in 287.3 mm
<b>Dimension E</b>	2.06 in 52.3 mm
<b>Dimension F</b>	12.63 in 320.8 mm
<b>Dimension G</b>	3.63 in 92.2 mm

<b>Dimension H</b>	1-1/4 in 31.8 mm
--------------------	---------------------

<b>Dimension J (Bolt Size)</b>	0.75 in 20 mm
--------------------------------	------------------

<b>Dimension L</b>	3.78 in 96 mm
--------------------	------------------

<b>Dimension M</b>	1.96 in 49.8 mm
--------------------	--------------------

<b>Dimension S</b>	3.23 in 82 mm
--------------------	------------------

### Radial and Thrust Factors

<b>C0 - Static Load</b>	71900 lbf 320000 N
-------------------------	-----------------------

<b>C - Dynamic Load (Basic)</b>	66900 lbf 297000 N
---------------------------------	-----------------------

<b>e - Geometry Factor</b>	0.22
----------------------------	------

<b>Y1 - Geometry Factor</b>	3.07
-----------------------------	------

<b>Y2 - Geometry Factor</b>	4.57
-----------------------------	------

### Engineering Seal Speed

<b>Oil Lubrication - M/N Seal</b>	1400 rpm
-----------------------------------	----------

<b>Oil Lubrication - T Seal</b>	2400 rpm
---------------------------------	----------

<b>Oil Lubrication - B/C/O Seal</b>	1100 rpm
-------------------------------------	----------

<b>Grease Lubrication - M/N Seal</b>	1400 rpm
--------------------------------------	----------

<b>Grease Lubrication - T Seal</b>	2000 rpm
------------------------------------	----------

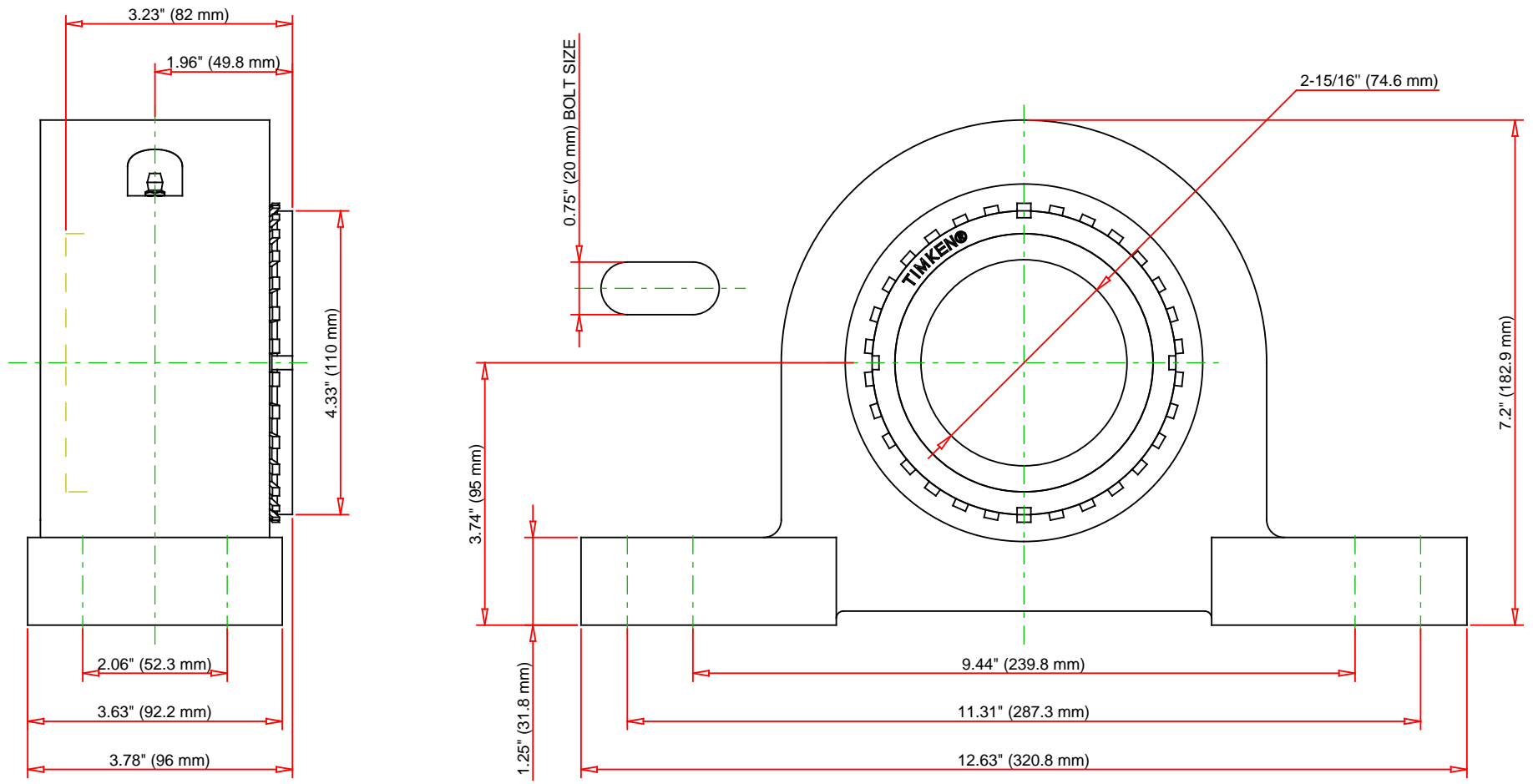
<b>Grease Lubrication - B/C/O Seal</b>	1100 rpm
--	----------

## Engineering Bearing Attributes

<b>Float</b>	0.083 in 2.108 mm
<b>Shaft Tolerance</b>	0.0040 in 0.102 mm

## Engineering Internal Radial Clearance

<b>Pre Install Clearance Min</b>	0.0043 in 0.109 mm
<b>Pre Install Clearance Max</b>	0.0055 in 0.140 mm



Note: Section View not to Scale

C - Dynamic Load	66900	lbf	297000	N
C0 - Static Load	71900	lbf	320000	N
Weight	37	lb	16.8	kg
Max. Speed T-Seals & Grease	2000	rpm		
Rad. Clearance - Max.				

**TIMKEN**

THE TIMKEN COMPANY  
NORTH CANTON, OHIO USA

**TAPG17K215S**  
Tapered Adapter Four-Bolt Pillow  
Block

Every reasonable effort has been made to ensure the accuracy of the information contained in this writing, but no liability is accepted for errors, omissions or for any other reason.

**FOR DISCUSSION ONLY**