



The Timken Company

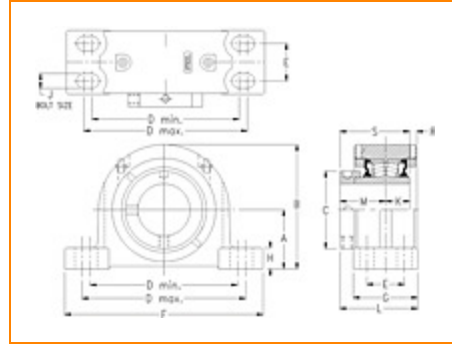
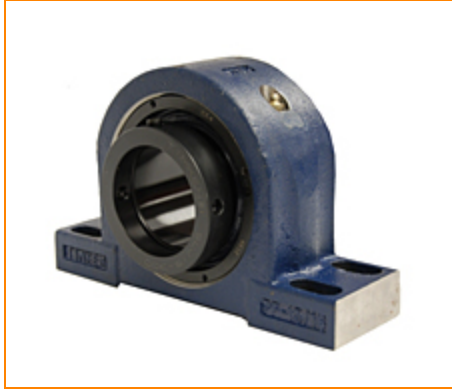
4500 Mt Pleasant St. NW

N. Canton, OH 44720

Phone: (234) 262-3000

E-Mail: CustomerCAD@timken.com • **Web site:** www.timken.com

Part Number QMPF26J415S, Eccentric Four-Bolt Pillow Block



[Specifications](#) | [Dimensions](#) | [Radial and Thrust Factors](#) | [Engineering Seal Speed](#) | [Engineering Bearing Attributes](#) | [Engineering Internal Radial Clearance](#)

Specifications

Engineering Group Mounted Bearing

Bearing Number 22226

Shaft Size 4 15/16 in

Shaft Size Type Imperial

Full Timken Part Number

- QMPF26J415SB
- QMPF26J415SC
- QMPF26J415SEB
- QMPF26J415SEC
- QMPF26J415SEM
- QMPF26J415SEN
- QMPF26J415SEO
- QMPF26J415SET
- QMPF26J415SM
- QMPF26J415SN



QMPF26J415SO
 QMPF26J415ST
 QMPF26J415STHT

Locking Style

Eccentric

Housing Construction

Four-Bolt Pillow Block

UPC Code

0883450085526
 0883450085533
 0883450085557
 0883450085564
 0883450085571
 0883450085588
 0883450085595
 0883450085601
 0883450155922
 0883450156653
 0883450250863
 0883450251280
 0883450955676

Dimensions
Dimension A

5-1/2 in
 139.7 mm

Dimension B

11.01 in
 279.7 mm

Dimension C

6.89 in
 175 mm

Dimension D Min

13.75 in
 349.3 mm

Dimension D Max

15.88 in
 403.4 mm

Dimension E

2.75 in
 69.9 mm

Dimension F

17-1/2 in
 444.5 mm

Dimension G	5.04 in 128 mm
Dimension H	1.54 in 39.1 mm
Dimension J (Bolt Size)	0.875 in 24 mm
Dimension K	2.31 in 58.7 mm
Dimension L	6.25 in 158.8 mm
Dimension M	3.73 in 94.7 mm
Dimension R	-0.03 in -0.8 mm
Dimension S	6.04 in 153.4 mm

Radial and Thrust Factors

C0 - Static Load	212000 lbf 945000 N
C - Dynamic Load (Basic)	170000 lbf 757000 N
e - Geometry Factor	0.26
Y1 - Geometry Factor	2.62
Y2 - Geometry Factor	3.9

Engineering Seal Speed

Oil Lubrication - M/N Seal	700 rpm
-----------------------------------	---------

Oil Lubrication - T Seal	1500 rpm
---------------------------------	----------

Oil Lubrication - B/C/O Seal	400 rpm
-------------------------------------	---------

Grease Lubrication - M/N Seal	700 rpm
--------------------------------------	---------

Grease Lubrication - T Seal	1000 rpm
------------------------------------	----------

Grease Lubrication - B/C/O Seal	400 rpm
--	---------

Engineering Bearing Attributes

Float	0.083 in 2.108 mm
--------------	----------------------

Shaft Tolerance	0.0050 in 0.127 mm
------------------------	-----------------------

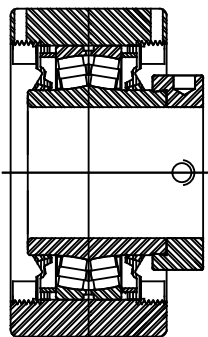
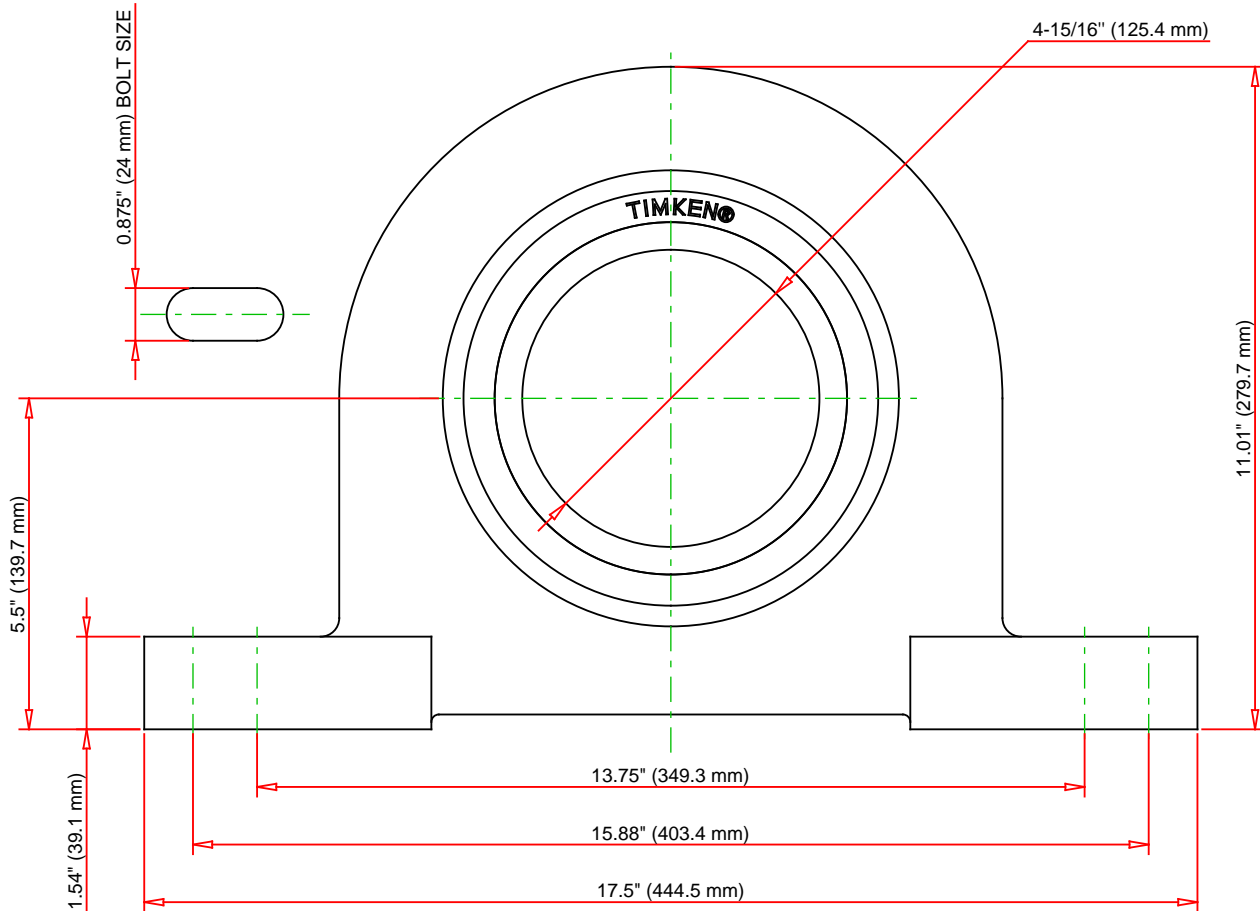
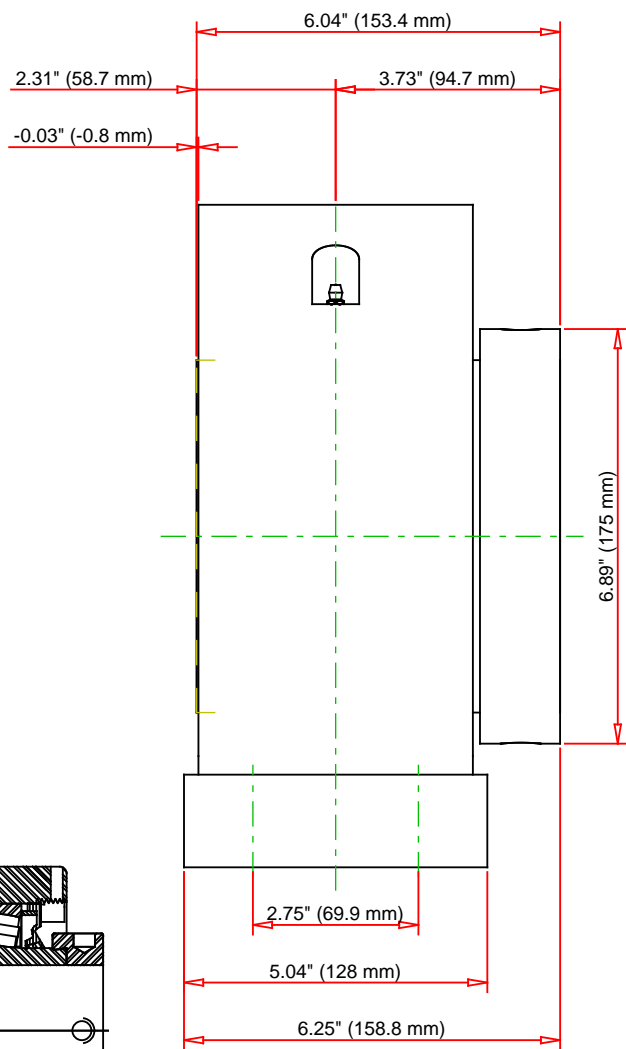
Engineering Internal Radial Clearance

Eng Internal Radial Clearance - Min	0.0037
--	--------

Eng Internal Radial Clearance - Max	0.0057
--	--------

Pre Install Clearance Min	0.0037 in 0.095 mm
----------------------------------	-----------------------

Pre Install Clearance Max	0.0057 in 0.145 mm
----------------------------------	-----------------------



Note: Section View not to Scale

C - Dynamic Load	170000	lbf	757000	N
C0 - Static Load	212000	lbf	945000	N
Weight	134	lb	60.8	kg
Max. Speed T-Seals & Grease	1000	rpm		
Rad. Clearance - Max.	0.0057			

TIMKEN

THE TIMKEN COMPANY
NORTH CANTON, OHIO USA

QMPF26J415S
Eccentric Four-Bolt Pillow Block

Every reasonable effort has been made to ensure the accuracy of the information contained in this writing, but no liability is accepted for errors, omissions or for any other reason.

FOR DISCUSSION ONLY