



The Timken Company

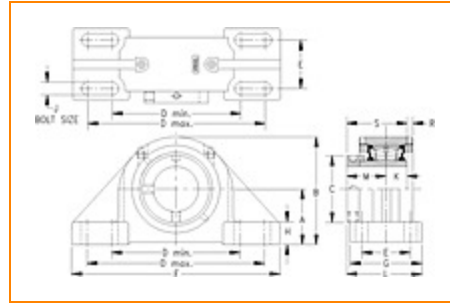
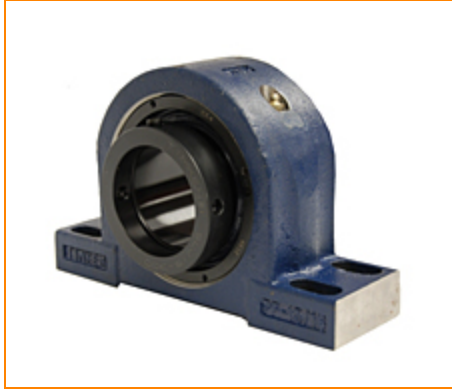
4500 Mt Pleasant St. NW

N. Canton, OH 44720

Phone: (234) 262-3000

E-Mail: CustomerCAD@timken.com • **Web site:** www.timken.com

Part Number QMPX15J215S, Eccentric Four-Bolt Pillow Block



[Specifications](#) | [Dimensions](#) | [Radial and Thrust Factors](#) | [Engineering Seal Speed](#) | [Engineering Bearing Attributes](#) | [Engineering Internal Radial Clearance](#)

Specifications

Engineering Group Mounted Bearing

Bearing Number 22215

Shaft Size 2 15/16 in

Shaft Size Type Imperial

Full Timken Part Number

- QMPX15J215SB
- QMPX15J215SC
- QMPX15J215SEB
- QMPX15J215SEC
- QMPX15J215SEM
- QMPX15J215SEN
- QMPX15J215SEO
- QMPX15J215SET
- QMPX15J215SM
- QMPX15J215SN
- QMPX15J215SO
- QMPX15J215ST



Locking Style	Eccentric
Housing Construction	Four-Bolt Pillow Block
UPC Code	0883450093422 0883450093439 0883450093453 0883450093460 0883450093477 0883450093484 0883450093491 0883450093507 0883450159395 0883450160124 0883450252683 0883450253109

Dimensions

Dimension A	3-1/2 in 88.9 mm
Dimension B	6.83 in 173.5 mm
Dimension C	4.01 in 101.9 mm
Dimension D Min	9.06 in 230.1 mm
Dimension D Max	10.44 in 265.2 mm
Dimension E	2.75 in 69.9 mm
Dimension F	13 in 330.2 mm
Dimension G	4.25 in 108 mm

Dimension H	1.54 in 39.1 mm
--------------------	--------------------

Dimension J (Bolt Size)	0.75 in 20 mm
--------------------------------	------------------

Dimension K	1-1/4 in 31.8 mm
--------------------	---------------------

Dimension L	4.5 in 114.3 mm
--------------------	--------------------

Dimension M	2.37 in 60.2 mm
--------------------	--------------------

Dimension R	0.28 in 7.1 mm
--------------------	-------------------

Dimension S	3.62 in 91.9 mm
--------------------	--------------------

Radial and Thrust Factors

C0 - Static Load	54100 lbf 240000 N
-------------------------	-----------------------

C - Dynamic Load (Basic)	49900 lbf 222000 N
---------------------------------	-----------------------

e - Geometry Factor	0.22
----------------------------	------

Y1 - Geometry Factor	3.14
-----------------------------	------

Y2 - Geometry Factor	4.67
-----------------------------	------

Engineering Seal Speed

Oil Lubrication - M/N Seal	1600 rpm
-----------------------------------	----------

Oil Lubrication - T Seal	2900 rpm
---------------------------------	----------

Oil Lubrication - B/C/O Seal	1300 rpm
-------------------------------------	----------

Grease Lubrication - M/N Seal	1600 rpm
--------------------------------------	----------

Grease Lubrication - T Seal	2400 rpm
------------------------------------	----------

Grease Lubrication - B/C/O Seal	1300 rpm
--	----------

Engineering Bearing Attributes

Float	0.083 in
	2.108 mm

Shaft Tolerance	0.0020 in
	0.051 mm

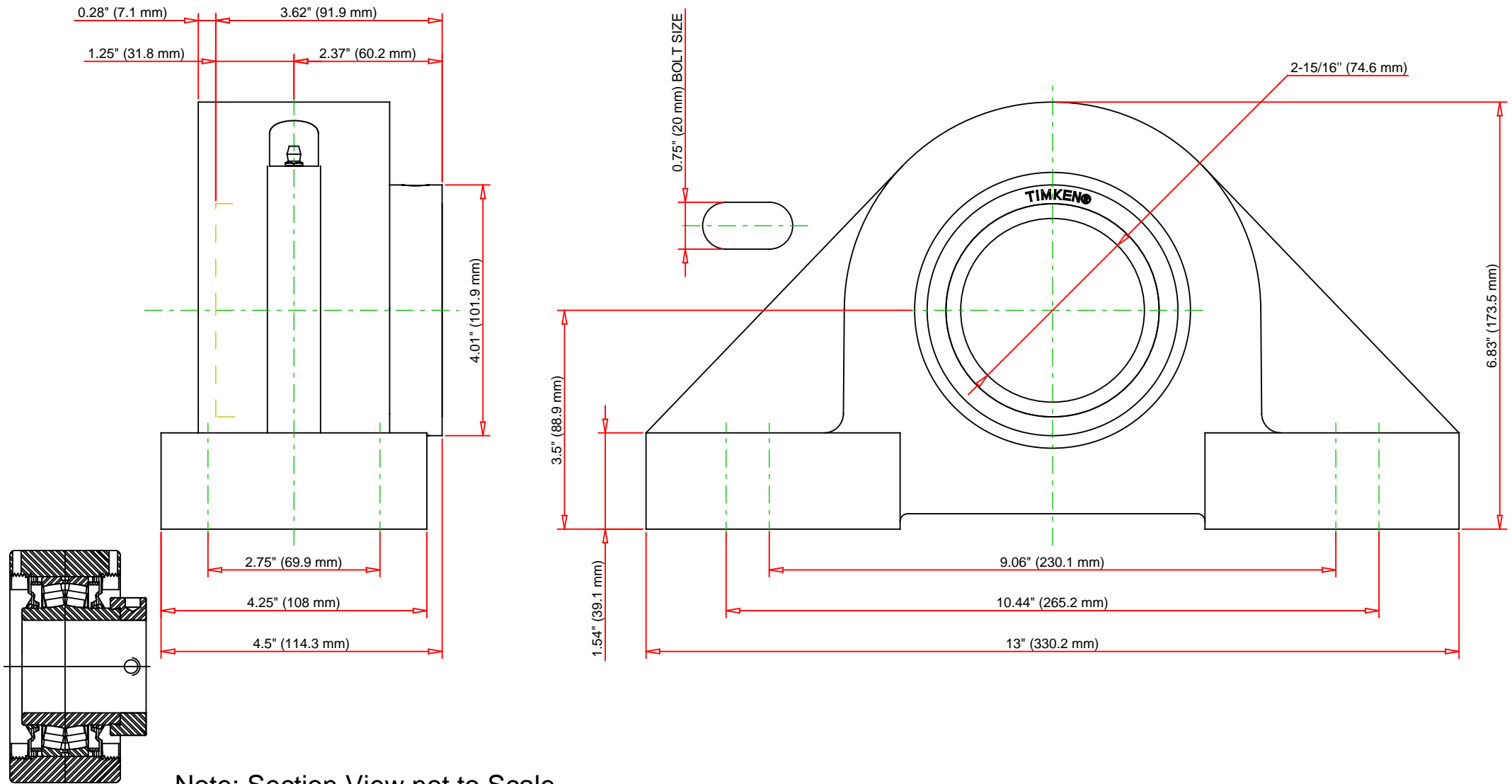
Engineering Internal Radial Clearance

Eng Internal Radial Clearance - Min	0.0020
--	--------

Eng Internal Radial Clearance - Max	0.0031
--	--------

Pre Install Clearance Min	0.0020 in
	0.050 mm

Pre Install Clearance Max	0.0031 in
	0.080 mm



C - Dynamic Load	49900	lbf	222000	N
C0 - Static Load	54100	lbf	240000	N
Weight	28	lb	12.7	kg
Max. Speed T-Seals & Grease	2400	rpm		
Rad. Clearance - Max.	0.0031			

TIMKEN

THE TIMKEN COMPANY
NORTH CANTON, OHIO USA

QMPX15J215S
Eccentric Four-Bolt Pillow Block

Every reasonable effort has been made to ensure the accuracy of the information contained in this writing, but no liability is accepted for errors, omissions or for any other reason.

FOR DISCUSSION ONLY