



The Timken Company

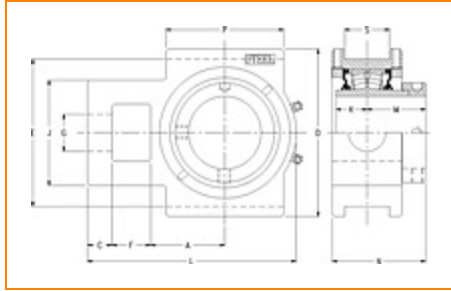
4500 Mt Pleasant St. NW

N. Canton, OH 44720

Phone: (234) 262-3000

E-Mail: CustomerCAD@timken.com • **Web site:** www.timken.com

Part Number QMTU13J065S, Eccentric Take-Up Block



[Specifications](#) | [Dimensions](#) | [Radial and Thrust Factors](#) | [Engineering Seal Speed](#) | [Engineering Bearing Attributes](#) | [Engineering Internal Radial Clearance](#)

Specifications

Engineering Group	Mounted Bearing
Bearing Number	22213
Shaft Size	65 mm
Shaft Size Type	Metric
Full Timken Part Number	QMTU13J065SB QMTU13J065SC QMTU13J065SEB QMTU13J065SEC QMTU13J065SEM QMTU13J065SEN QMTU13J065SEO QMTU13J065SET QMTU13J065SM QMTU13J065SN QMTU13J065SO



QMTU13J065ST

Locking Style

Eccentric

Housing Construction

Take-Up

UPC Code

0883450102476
 0883450102483
 0883450102506
 0883450102513
 0883450102520
 0883450102537
 0883450102544
 0883450102551
 0883450169257
 0883450169639
 0883450260657
 0883450260978

Dimensions**Dimension A1**

2.75 in
 69.9 mm

Dimension C

0.88 in
 22.4 mm

Dimension D

5.88 in
 149.4 mm

Dimension E

5.13 in
 130.3 mm

Dimension F

1.31 in
 33.3 mm

Dimension G

1.31 in
 33.3 mm

Dimension J

3.75 in
 95.3 mm

Dimension L

7.63 in
 193.8 mm

Dimension K	1.24 in 31.5 mm
Dimension M	2.13 in 54.1 mm
Dimension N	3.57 in 90.7 mm
Dimension P	4.75 in 120.7 mm
Dimension S	1.06 in 26.9 mm

Radial and Thrust Factors

C0 - Static Load	48600 lbf 216000 N
C - Dynamic Load (Basic)	46400 lbf 206000 N
e - Geometry Factor	0.24
Y1 - Geometry Factor	2.79
Y2 - Geometry Factor	4.15

Engineering Seal Speed

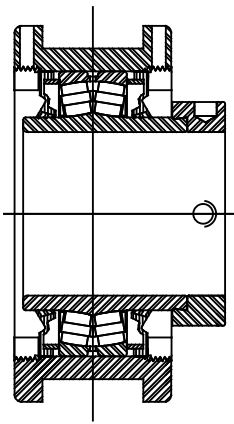
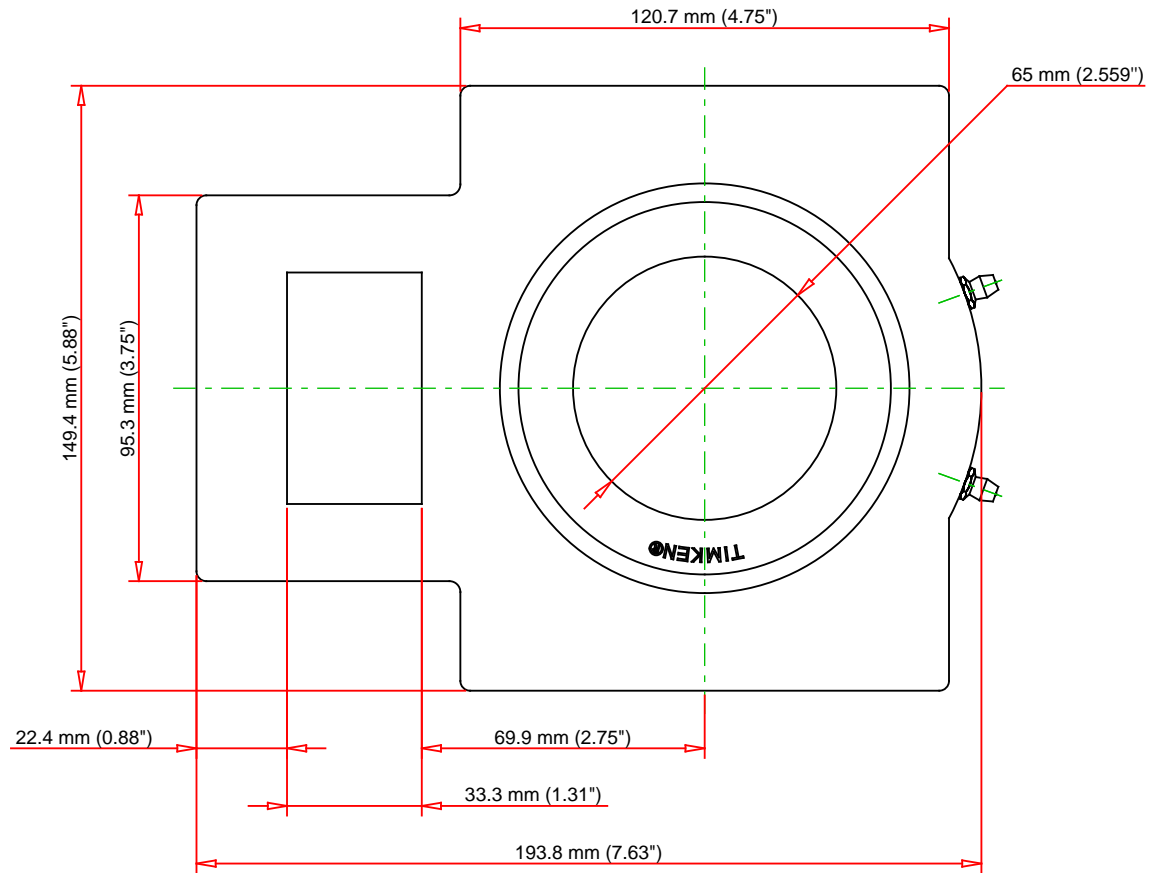
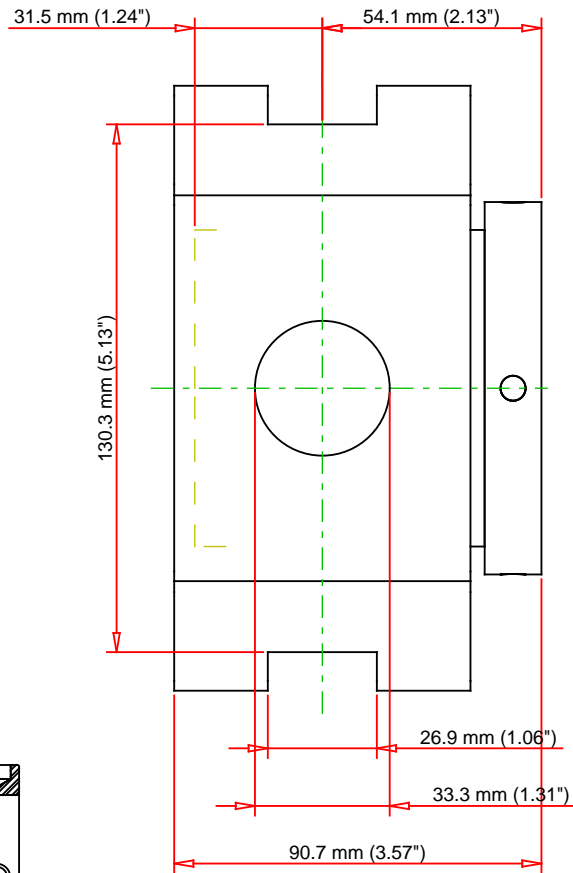
Oil Lubrication - M/N Seal	1800 rpm
Oil Lubrication - T Seal	3200 rpm
Oil Lubrication - B/C/O Seal	1500 rpm
Grease Lubrication - M/N Seal	1800 rpm
Grease Lubrication - T Seal	2800 rpm
Grease Lubrication - B/C/O Seal	1500 rpm

Engineering Bearing Attributes

Float	0.08 in 2.03 mm
Shaft Tolerance	0.0015 in 0.038 mm

Engineering Internal Radial Clearance

Eng Internal Radial Clearance - Min	0.0016
Eng Internal Radial Clearance - Max	0.0026
Pre Install Clearance Min	0.0016 in 0.040 mm
Pre Install Clearance Max	0.0026 in 0.065 mm



Note: Section View not to Scale

C - Dynamic Load	46400	lbf	206000	N
C0 - Static Load	48600	lbf	216000	N
Weight	27	lb	12.2	kg
Max. Speed T-Seals & Grease	2800	rpm		
Rad. Clearance - Max.	0.0026			

TIMKEN

THE TIMKEN COMPANY
NORTH CANTON, OHIO USA

QMTU13J065S
Eccentric Take-Up Block

Every reasonable effort has been made to ensure the accuracy of the information contained in this writing, but no liability is accepted for errors, omissions or for any other reason.

FOR DISCUSSION ONLY