



The Timken Company

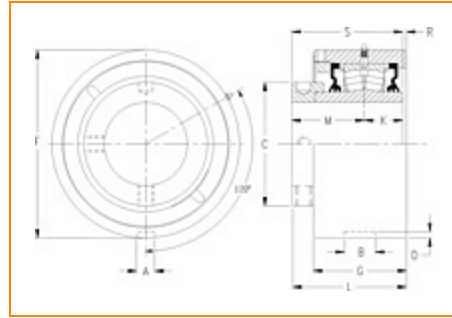
4500 Mt Pleasant St. NW

N. Canton, OH 44720

Phone: (234) 262-3000

E-Mail: CustomerCAD@timken.com • **Web site:** www.timken.com

Part Number QMMC11J203S, Eccentric Cartridge Block



[Specifications](#) | [Dimensions](#) | [Radial and Thrust Factors](#) | [Engineering Seal Speed](#) | [Engineering Bearing Attributes](#) | [Engineering Internal Radial Clearance](#)

Specifications

Engineering Group Mounted Bearing

Bearing Number 22211

Shaft Size 2 3/16 in

Shaft Size Type Imperial

Full Timken Part Number

- QMMC11J203SB
- QMMC11J203SC
- QMMC11J203SEB
- QMMC11J203SEC
- QMMC11J203SEM
- QMMC11J203SEN
- QMMC11J203SEO
- QMMC11J203SET
- QMMC11J203SM
- QMMC11J203SN
- QMMC11J203SO
- QMMC11J203ST



Locking Style	Eccentric
Housing Construction	Cartridge
UPC Code	0883450076821 0883450076838 0883450076852 0883450076869 0883450076876 0883450076883 0883450076890 0883450076906 0883450167857 0883450168533 0883450259637 0883450260114

Dimensions

Dimension A	0.53 in 13.5 mm
Dimension B	0.91 in 23.1 mm
Dimension C	2.99 in 75.9 mm
Dimension D	0.19 in 4.8 mm
Dimension F	4.531 in 115.1 mm
Dimension G	2.58 in 65.5 mm
Dimension K	1.13 in 28.7 mm
Dimension L Exp	3.37 in 85.6 mm

Dimension L Fix	3.29 in 83.6 mm
------------------------	--------------------

Dimension M	1.99 in 50.5 mm
--------------------	--------------------

Dimension R	0.16 in 4.1 mm
--------------------	-------------------

Dimension S	3.12 in 79.2 mm
--------------------	--------------------

Radial and Thrust Factors

C0 - Static Load	31900 lbf 142000 N
-------------------------	-----------------------

C - Dynamic Load (Basic)	31400 lbf 140000 N
---------------------------------	-----------------------

e - Geometry Factor	0.23
----------------------------	------

Y1 - Geometry Factor	2.95
-----------------------------	------

Y2 - Geometry Factor	4.40
-----------------------------	------

Engineering Seal Speed

Oil Lubrication - M/N Seal	2200 rpm
-----------------------------------	----------

Oil Lubrication - T Seal	3800 rpm
---------------------------------	----------

Oil Lubrication - B/C/O Seal	1600 rpm
-------------------------------------	----------

Grease Lubrication - M/N Seal	2200 rpm
--------------------------------------	----------

Grease Lubrication - T Seal	3200 rpm
------------------------------------	----------

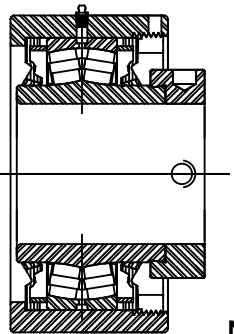
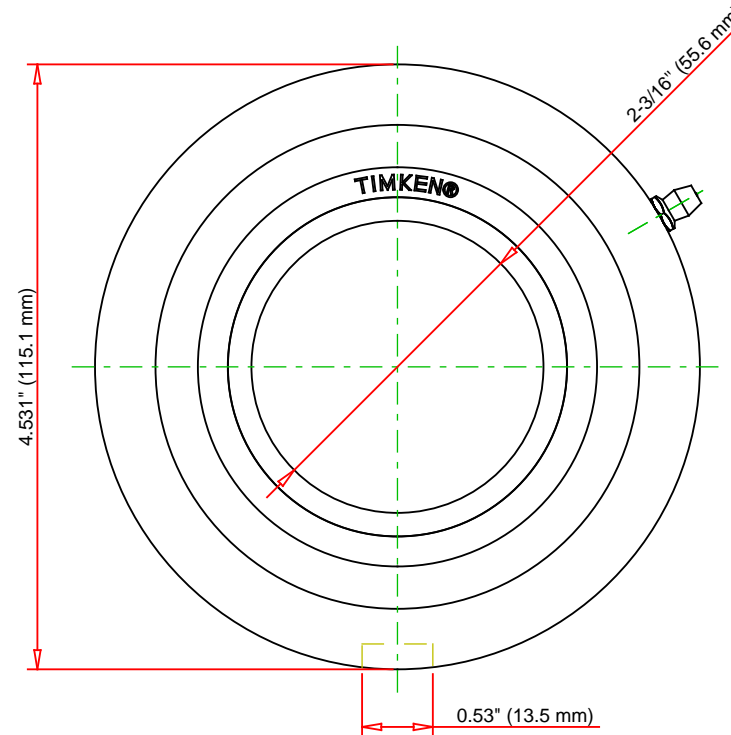
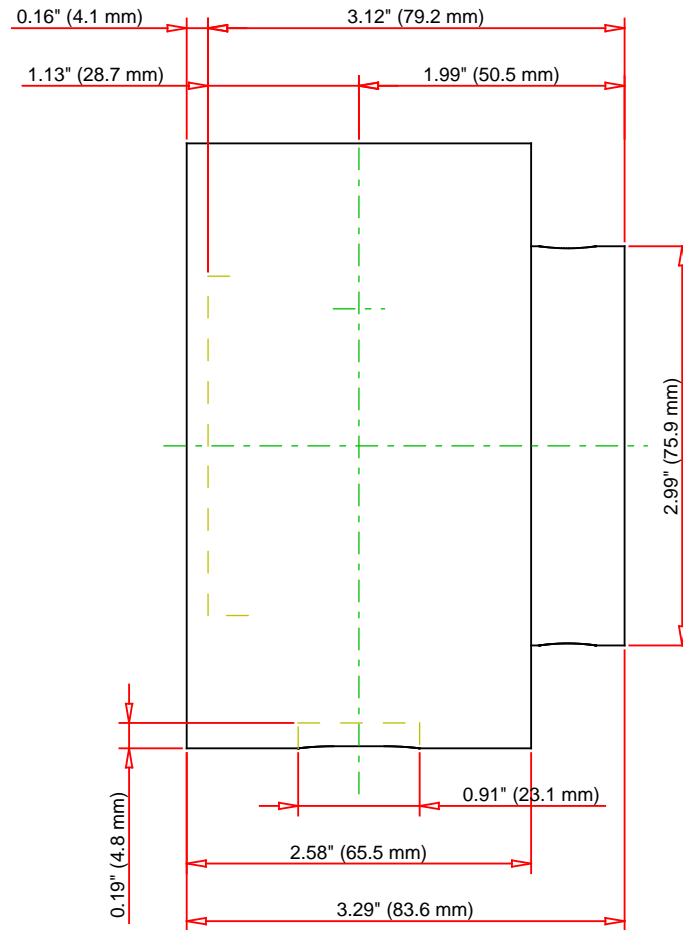
Grease Lubrication - B/C/O Seal	1600 rpm
--	----------

Engineering Bearing Attributes

Float	0.050 in 1.270 mm
Shaft Tolerance	0.0015 in 0.038 mm

Engineering Internal Radial Clearance

Eng Internal Radial Clearance - Min	0.0016
Eng Internal Radial Clearance - Max	0.0026
Pre Install Clearance Min	0.0016 in 0.040 mm
Pre Install Clearance Max	0.0026 in 0.065 mm



Note: Section View not to Scale

C - Dynamic Load	31400	lbf	140000	N
C0 - Static Load	31900	lbf	142000	N
Weight	10	lb	4.5	kg
Max. Speed T-Seals & Grease	3200	rpm		
Rad. Clearance - Max.	0.0026			

TIMKEN

THE TIMKEN COMPANY
NORTH CANTON, OHIO USA

QMMC11J203S
Eccentric Cartridge Block

Every reasonable effort has been made to ensure the accuracy of the information contained in this writing, but no liability is accepted for errors, omissions or for any other reason.

FOR DISCUSSION ONLY