



The Timken Company

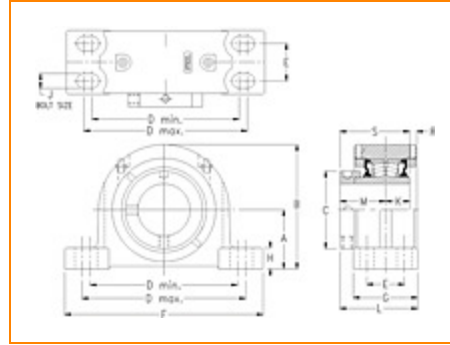
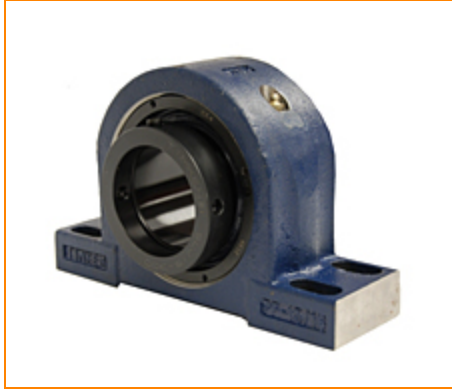
4500 Mt Pleasant St. NW

N. Canton, OH 44720

Phone: (234) 262-3000

E-Mail: CustomerCAD@timken.com • **Web site:** www.timken.com

Part Number QMPF13J207S, Eccentric Four-Bolt Pillow Block



[Specifications](#) | [Dimensions](#) | [Radial and Thrust Factors](#) | [Engineering Seal Speed](#) | [Engineering Bearing Attributes](#) | [Engineering Internal Radial Clearance](#)

Specifications

Engineering Group	Mounted Bearing
Bearing Number	22213
Shaft Size	2 7/16 in
Shaft Size Type	Imperial
Full Timken Part Number	QMPF13J207SB QMPF13J207SC QMPF13J207SEB QMPF13J207SEC QMPF13J207SEM QMPF13J207SEN QMPF13J207SEO QMPF13J207SET QMPF13J207SM QMPF13J207SMNP



QMPF13J207SN
QMPF13J207SO
QMPF13J207ST

Locking Style

Eccentric

Housing Construction

Four-Bolt Pillow Block

UPC Code

0883450083324
0883450083331
0883450083355
0883450083362
0883450083379
0883450083386
0883450083393
0883450083409
0883450155663
0883450156394
0883450250603
0883450251020
0883450454520

Dimensions
Dimension A

2.75 in
69.9 mm

Dimension B

5.8 in
147.3 mm

Dimension C

3.62 in
91.9 mm

Dimension D Min

6.88 in
174.8 mm

Dimension D Max

7.63 in
193.8 mm

Dimension E

1.75 in
44.5 mm

Dimension F

9 1/4 in
235 mm

Dimension G	3 in 76.2 mm
Dimension H	0.98 in 24.9 mm
Dimension J (Bolt Size)	0.625 in 16 mm
Dimension K	1.24 in 31.5 mm
Dimension L	3.63 in 92.2 mm
Dimension M	2.13 in 54.1 mm
Dimension R	0.21 in 5.3 mm
Dimension S	3.37 in 85.6 mm

Radial and Thrust Factors

C0 - Static Load	48600 lbf 216000 N
C - Dynamic Load (Basic)	46400 lbf 206000 N
e - Geometry Factor	0.24
Y1 - Geometry Factor	2.79
Y2 - Geometry Factor	4.15

Engineering Seal Speed

Oil Lubrication - M/N Seal	1800 rpm
-----------------------------------	----------

Oil Lubrication - T Seal	3200 rpm
---------------------------------	----------

Oil Lubrication - B/C/O Seal	1500 rpm
-------------------------------------	----------

Grease Lubrication - M/N Seal	1800 rpm
--------------------------------------	----------

Grease Lubrication - T Seal	2800 rpm
------------------------------------	----------

Grease Lubrication - B/C/O Seal	1500 rpm
--	----------

Engineering Bearing Attributes

Float	0.083 in 2.108 mm
--------------	----------------------

Shaft Tolerance	0.0015 in 0.038 mm
------------------------	-----------------------

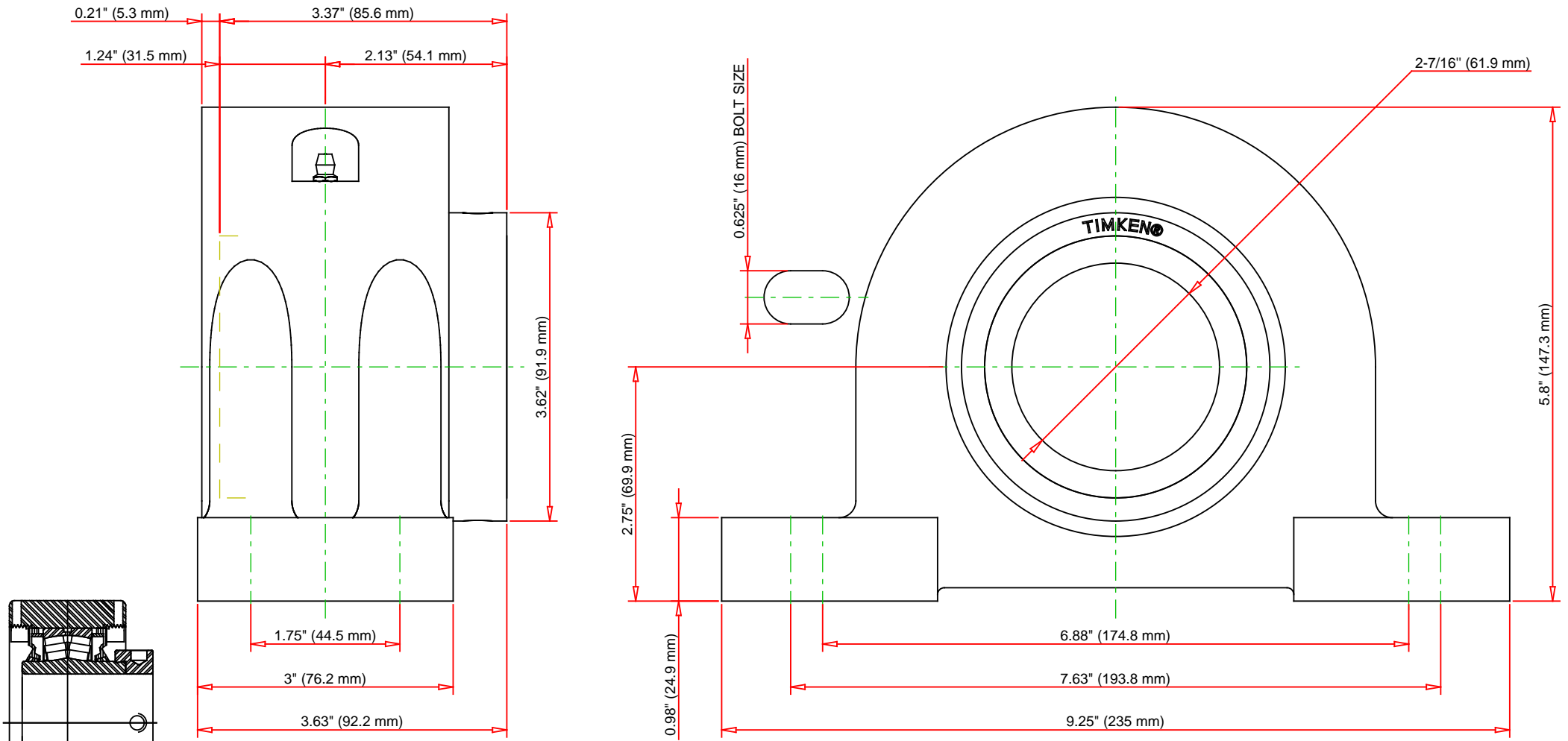
Engineering Internal Radial Clearance

Eng Internal Radial Clearance - Min	0.0016
--	--------

Eng Internal Radial Clearance - Max	0.0026
--	--------

Pre Install Clearance Min	0.0016 in 0.040 mm
----------------------------------	-----------------------

Pre Install Clearance Max	0.0026 in 0.065 mm
----------------------------------	-----------------------



Note: Section View not to Scale

C - Dynamic Load	46400	lbf	206000	N
C0 - Static Load	48600	lbf	216000	N
Weight	20	lb	9.1	kg
Max. Speed T-Seals & Grease	2800	rpm		
Rad. Clearance - Max.	0.0026			

TIMKEN

THE TIMKEN COMPANY
NORTH CANTON, OHIO USA

QMPF13J207S
Eccentric Four-Bolt Pillow Block

Every reasonable effort has been made to ensure the accuracy of the information contained in this writing, but no liability is accepted for errors, omissions or for any other reason.

FOR DISCUSSION ONLY