



The Timken Company

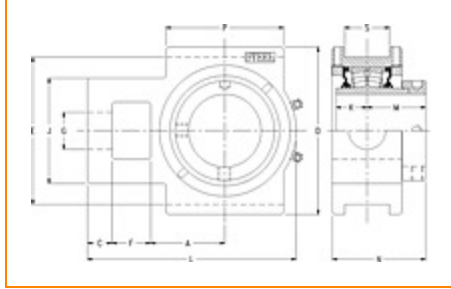
4500 Mt Pleasant St. NW

N. Canton, OH 44720

Phone: (234) 262-3000

E-Mail: CustomerCAD@timken.com • **Web site:** www.timken.com

Part Number QMTU13J207S, Eccentric Take-Up Block



[Specifications](#) | [Dimensions](#) | [Radial and Thrust Factors](#) | [Engineering Seal Speed](#) | [Engineering Bearing Attributes](#) | [Engineering Internal Radial Clearance](#)

Specifications

Engineering Group	Mounted Bearing
Bearing Number	22213
Shaft Size	2 7/16 in
Shaft Size Type	Imperial
Full Timken Part Number	QMTU13J207SB QMTU13J207SC QMTU13J207SEB QMTU13J207SEC QMTU13J207SEM QMTU13J207SEN QMTU13J207SEO QMTU13J207SET QMTU13J207SM QMTU13J207SN QMTU13J207SO



QMTU13J207ST
QMTU13J207STNP

Locking Style Eccentric

Housing Construction Take-Up

UPC Code

0883450102575
0883450102582
0883450102605
0883450102612
0883450102629
0883450102636
0883450102643
0883450102650
0883450169233
0883450169615
0883450260633
0883450260954
0883450457446

Dimensions

Dimension A1

2.75 in
69.9 mm

Dimension C

0.88 in
22.4 mm

Dimension D

5.88 in
149.4 mm

Dimension E

5.13 in
130.3 mm

Dimension F

1.31 in
33.3 mm

Dimension G

1.31 in
33.3 mm

Dimension J

3.75 in
95.3 mm

Dimension L	7.63 in 193.8 mm
Dimension K	1.24 in 31.5 mm
Dimension M	2.13 in 54.1 mm
Dimension N	3.57 in 90.7 mm
Dimension P	4.75 in 120.7 mm
Dimension S	1.06 in 26.9 mm

Radial and Thrust Factors

C0 - Static Load	48600 lbf 216000 N
C - Dynamic Load (Basic)	46400 lbf 206000 N
e - Geometry Factor	0.24
Y1 - Geometry Factor	2.79
Y2 - Geometry Factor	4.15

Engineering Seal Speed

Oil Lubrication - M/N Seal	1800 rpm
Oil Lubrication - T Seal	3200 rpm
Oil Lubrication - B/C/O Seal	1500 rpm
Grease Lubrication - M/N Seal	1800 rpm

Grease Lubrication - T Seal	2800 rpm
------------------------------------	----------

Grease Lubrication - B/C/O Seal	1500 rpm
--	----------

Engineering Bearing Attributes

Float	0.08 in 2.03 mm
--------------	--------------------

Shaft Tolerance	0.0015 in 0.038 mm
------------------------	-----------------------

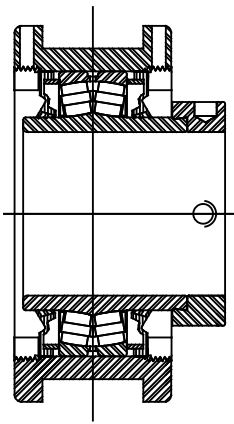
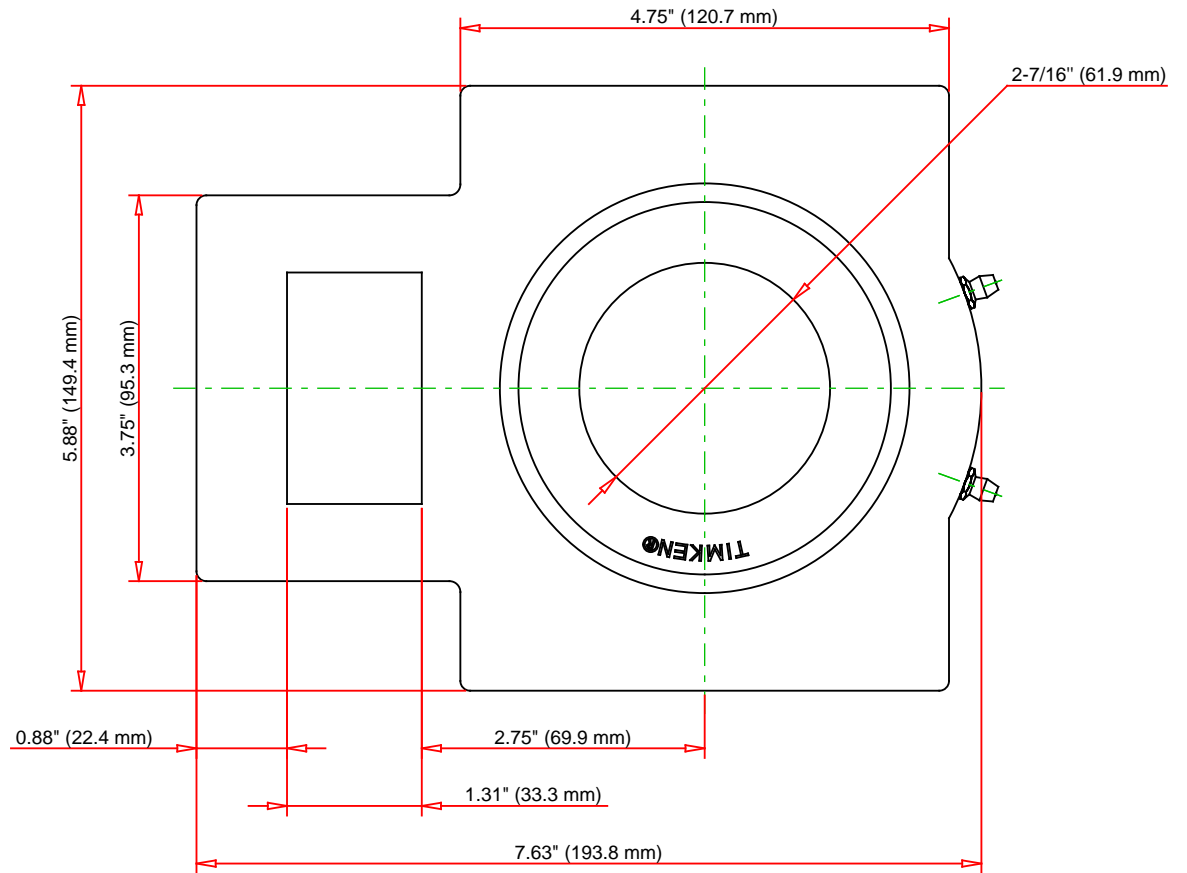
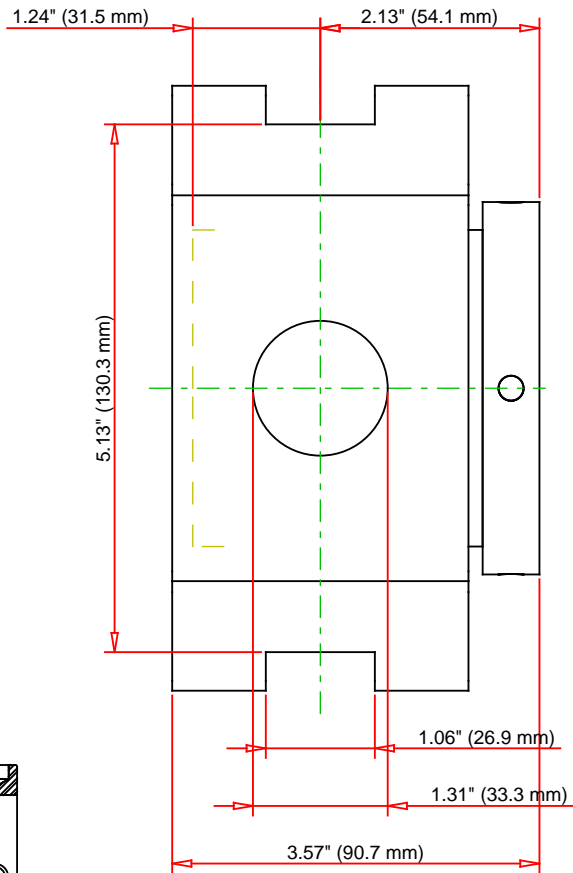
Engineering Internal Radial Clearance

Eng Internal Radial Clearance - Min	0.0016
--	--------

Eng Internal Radial Clearance - Max	0.0026
--	--------

Pre Install Clearance Min	0.0016 in 0.040 mm
----------------------------------	-----------------------

Pre Install Clearance Max	0.0026 in 0.065 mm
----------------------------------	-----------------------



Note: Section View not to Scale

C - Dynamic Load	46400	lbf	206000	N
C0 - Static Load	48600	lbf	216000	N
Weight	27	lb	12.2	kg
Max. Speed T-Seals & Grease	2800	rpm		
Rad. Clearance - Max.	0.0026			

TIMKEN

THE TIMKEN COMPANY
NORTH CANTON, OHIO USA

QMTU13J207S
Eccentric Take-Up Block

Every reasonable effort has been made to ensure the accuracy of the information contained in this writing, but no liability is accepted for errors, omissions or for any other reason.

FOR DISCUSSION ONLY