



The Timken Company

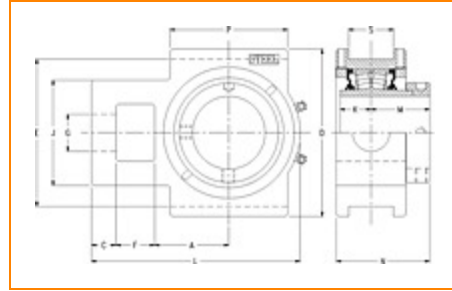
4500 Mt Pleasant St. NW

N. Canton, OH 44720

Phone: (234) 262-3000

E-Mail: CustomerCAD@timken.com • **Web site:** www.timken.com

Part Number QMTU15J300S, Eccentric Take-Up Block



[Specifications](#) | [Dimensions](#) | [Radial and Thrust Factors](#) | [Engineering Seal Speed](#) | [Engineering Bearing Attributes](#) | [Engineering Internal Radial Clearance](#)

Specifications

Engineering Group Mounted Bearing

Bearing Number 22215

Shaft Size 3 in

Shaft Size Type Imperial

Full Timken Part Number

- QMTU15J300SB
- QMTU15J300SC
- QMTU15J300SEB
- QMTU15J300SEC
- QMTU15J300SEM
- QMTU15J300SEN
- QMTU15J300SEO
- QMTU15J300SET
- QMTU15J300SM
- QMTU15J300SN
- QMTU15J300SO



QMTU15J300ST

Locking Style

Eccentric

Housing Construction

Take-Up

UPC Code

0883450103275
 0883450103282
 0883450103305
 0883450103312
 0883450103329
 0883450103336
 0883450103343
 0883450103350
 0883450169301
 0883450169684
 0883450260701
 0883450261029

Dimensions**Dimension A1**

3 in
 76.2 mm

Dimension C

1 in
 25.4 mm

Dimension D

6-3/4 in
 171.5 mm

Dimension E

5.94 in
 150.9 mm

Dimension F

1.56 in
 39.6 mm

Dimension G

1.56 in
 39.6 mm

Dimension J

4.25 in
 108 mm

Dimension L

8.65 in
 219.7 mm

Dimension K	1.25 in 31.8 mm
Dimension M	2.37 in 60.2 mm
Dimension N	3.82 in 97 mm
Dimension P	4.75 in 120.7 mm
Dimension S	1.81 in 46 mm

Radial and Thrust Factors

C0 - Static Load	54100 lbf 240000 N
C - Dynamic Load (Basic)	49900 lbf 222000 N
e - Geometry Factor	0.22
Y1 - Geometry Factor	3.14
Y2 - Geometry Factor	4.67

Engineering Seal Speed

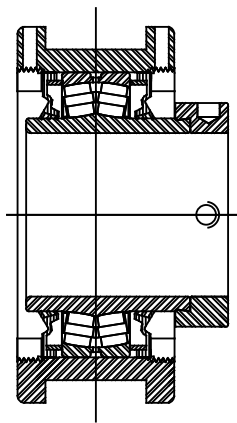
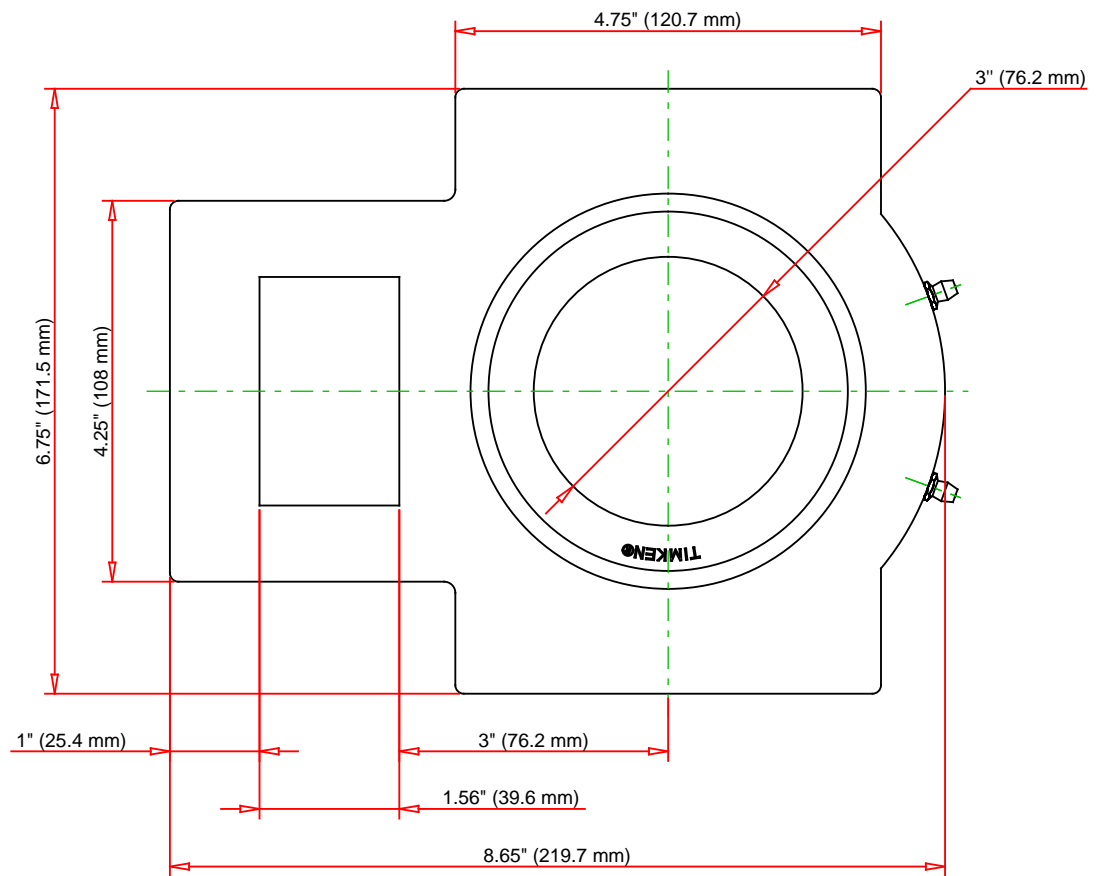
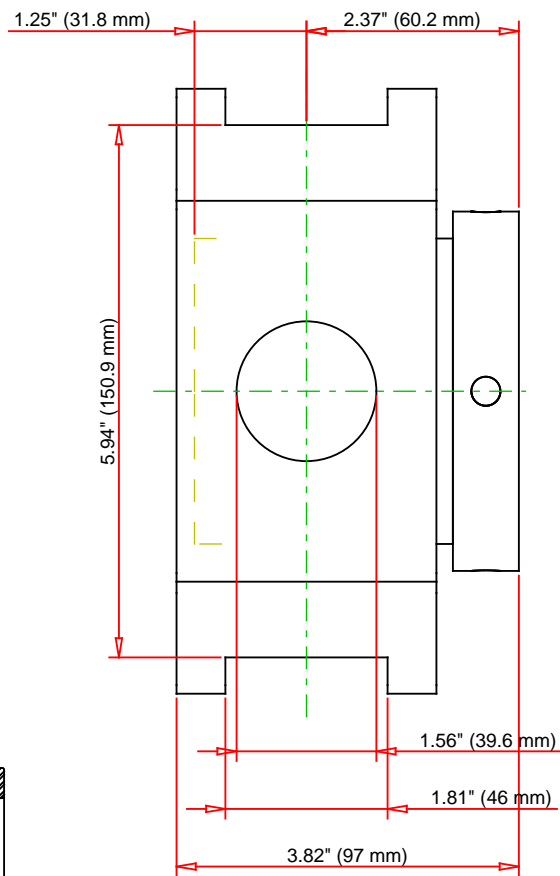
Oil Lubrication - M/N Seal	1600 rpm
Oil Lubrication - T Seal	2900 rpm
Oil Lubrication - B/C/O Seal	1300 rpm
Grease Lubrication - M/N Seal	1600 rpm
Grease Lubrication - T Seal	2400 rpm
Grease Lubrication - B/C/O Seal	1300 rpm

Engineering Bearing Attributes

Float	0.08 in 2.03 mm
Shaft Tolerance	0.0020 in 0.051 mm

Engineering Internal Radial Clearance

Eng Internal Radial Clearance - Min	0.0020
Eng Internal Radial Clearance - Max	0.0031
Pre Install Clearance Min	0.0020 in 0.050 mm
Pre Install Clearance Max	0.0031 in 0.080 mm



Note: Section View not to Scale

C - Dynamic Load	49900	lbf	222000	N
C0 - Static Load	54100	lbf	240000	N
Weight	35	lb	15.9	kg
Max. Speed T-Seals & Grease	2400	rpm		
Rad. Clearance - Max.	0.0031			

TIMKEN
 THE TIMKEN COMPANY
 NORTH CANTON, OHIO USA

QMTU15J300S
 Eccentric Take-Up Block

Every reasonable effort has been made to ensure the accuracy of the information contained in this writing, but no liability is accepted for errors, omissions or for any other reason.

FOR DISCUSSION ONLY