



The Timken Company

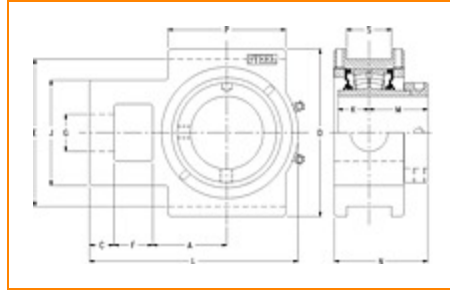
4500 Mt Pleasant St. NW

N. Canton, OH 44720

Phone: (234) 262-3000

E-Mail: CustomerCAD@timken.com • **Web site:** www.timken.com

Part Number QMTU15J215S, Eccentric Take-Up Block



[Specifications](#) | [Dimensions](#) | [Radial and Thrust Factors](#) | [Engineering Seal Speed](#) | [Engineering Bearing Attributes](#) | [Engineering Internal Radial Clearance](#)

Specifications

Engineering Group Mounted Bearing

Bearing Number 22215

Shaft Size 2 15/16 in

Shaft Size Type Imperial

Full Timken Part Number

- QMTU15J215SB
- QMTU15J215SC
- QMTU15J215SEB
- QMTU15J215SEC
- QMTU15J215SEM
- QMTU15J215SEN
- QMTU15J215SEO
- QMTU15J215SET
- QMTU15J215SM
- QMTU15J215SMNG
- QMTU15J215SN



QMTU15J215SO
QMTU15J215ST

Locking Style Eccentric

Housing Construction Take-Up

UPC Code

0883450103176
0883450103183
0883450103206
0883450103213
0883450103220
0883450103237
0883450103244
0883450103251
0883450169295
0883450169677
0883450260695
0883450261012
0883450493932

Dimensions

Dimension A1

3 in
76.2 mm

Dimension C

1 in
25.4 mm

Dimension D

6-3/4 in
171.5 mm

Dimension E

5.94 in
150.9 mm

Dimension F

1.56 in
39.6 mm

Dimension G

1.56 in
39.6 mm

Dimension J

4.25 in
108 mm

| | |
|--------------------|---------------------|
| Dimension L | 8.65 in 219.7 mm |
| Dimension K | 1.25 in 31.8 mm |
| Dimension M | 2.37 in 60.2 mm |
| Dimension N | 3.82 in 97 mm |
| Dimension P | 4.75 in 120.7 mm |
| Dimension S | 1.81 in 46 mm |

Radial and Thrust Factors

| | |
|---------------------------------|-----------------------|
| C0 - Static Load | 54100 lbf 240000 N |
| C - Dynamic Load (Basic) | 49900 lbf 222000 N |
| e - Geometry Factor | 0.22 |
| Y1 - Geometry Factor | 3.14 |
| Y2 - Geometry Factor | 4.67 |

Engineering Seal Speed

| | |
|--------------------------------------|----------|
| Oil Lubrication - M/N Seal | 1600 rpm |
| Oil Lubrication - T Seal | 2900 rpm |
| Oil Lubrication - B/C/O Seal | 1300 rpm |
| Grease Lubrication - M/N Seal | 1600 rpm |

| | |
|------------------------------------|----------|
| Grease Lubrication - T Seal | 2400 rpm |
|------------------------------------|----------|

| | |
|--|----------|
| Grease Lubrication - B/C/O Seal | 1300 rpm |
|--|----------|

Engineering Bearing Attributes

| | |
|--------------|--------------------|
| Float | 0.08 in 2.03 mm |
|--------------|--------------------|

| | |
|------------------------|-----------------------|
| Shaft Tolerance | 0.0020 in 0.051 mm |
|------------------------|-----------------------|

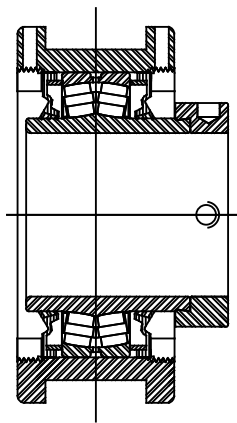
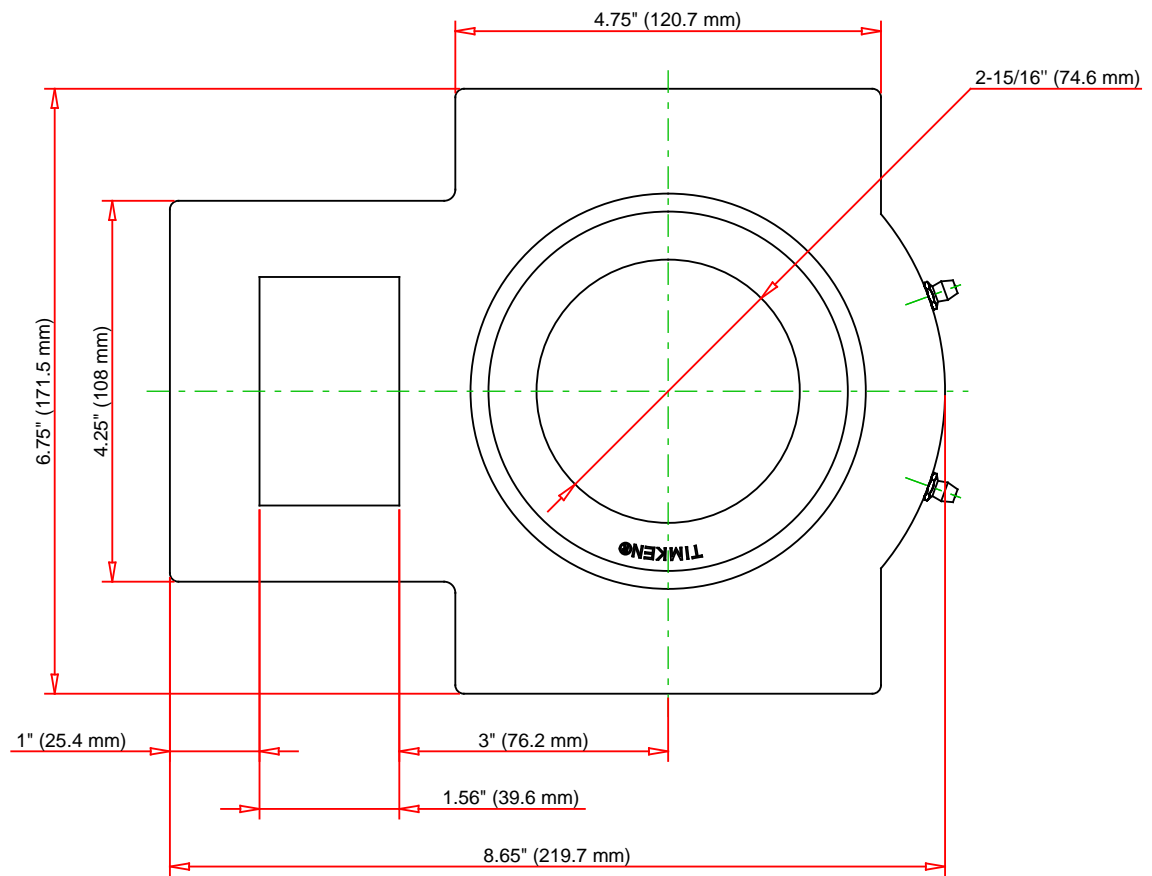
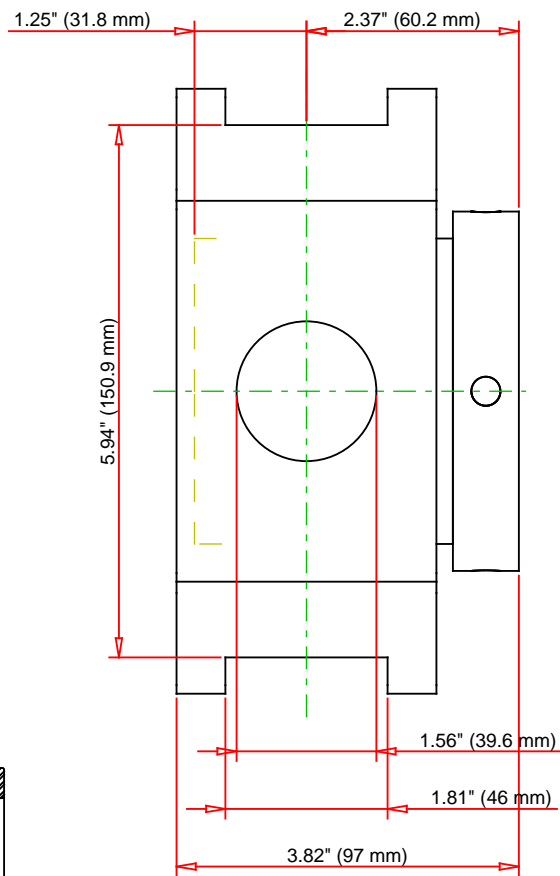
Engineering Internal Radial Clearance

| | |
|--|--------|
| Eng Internal Radial Clearance - Min | 0.0020 |
|--|--------|

| | |
|--|--------|
| Eng Internal Radial Clearance - Max | 0.0031 |
|--|--------|

| | |
|----------------------------------|-----------------------|
| Pre Install Clearance Min | 0.0020 in 0.050 mm |
|----------------------------------|-----------------------|

| | |
|----------------------------------|-----------------------|
| Pre Install Clearance Max | 0.0031 in 0.080 mm |
|----------------------------------|-----------------------|



Note: Section View not to Scale

| | | | | |
|-----------------------------|--------|-----|--------|----|
| C - Dynamic Load | 49900 | lbf | 222000 | N |
| C0 - Static Load | 54100 | lbf | 240000 | N |
| Weight | 35 | lb | 15.9 | kg |
| Max. Speed T-Seals & Grease | 2400 | rpm | | |
| Rad. Clearance - Max. | 0.0031 | | | |

TIMKEN
 THE TIMKEN COMPANY
 NORTH CANTON, OHIO USA

QMTU15J215S
 Eccentric Take-Up Block

Every reasonable effort has been made to ensure the accuracy of the information contained in this writing, but no liability is accepted for errors, omissions or for any other reason.

FOR DISCUSSION ONLY