



**The Timken Company**

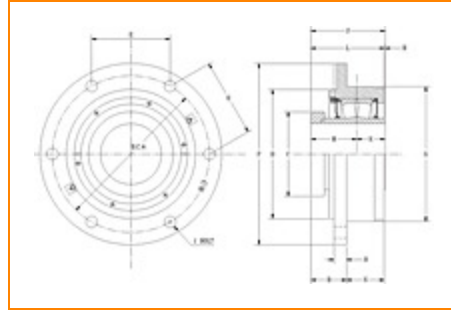
4500 Mt Pleasant St. NW

N. Canton, OH 44720

**Phone:** (234) 262-3000

**E-Mail:** [CustomerCAD@timken.com](mailto:CustomerCAD@timken.com) • **Web site:** [www.timken.com](http://www.timken.com)

## Part Number QMCW30J508S, Eccentric Piloted Flange Cartridge



[Specifications](#) | [Dimensions](#) | [Radial and Thrust Factors](#) | [Engineering Seal Speed](#) | [Engineering Bearing Attributes](#) | [Engineering Internal Radial Clearance](#)

### Specifications

**Engineering Group** Mounted Bearing

**Bearing Number** 23230

**Shaft Size** 5 1/2 in

**Shaft Size Type** Imperial

**Full Timken Part Number**

- QMCW30J508SB
- QMCW30J508SC
- QMCW30J508SEB
- QMCW30J508SEC
- QMCW30J508SEM
- QMCW30J508SEN
- QMCW30J508SEO
- QMCW30J508SET
- QMCW30J508SM
- QMCW30J508SN
- QMCW30J508SO
- QMCW30J508ST



<b>Locking Style</b>	Eccentric
<b>Housing Construction</b>	Piloted Flange Cartridge
<b>UPC Code</b>	0883450064927 0883450064934 0883450064958 0883450064965 0883450064972 0883450064989 0883450064996 0883450065009 0883450166775 0883450167499 0883450258951 0883450259491

## Dimensions

<b>Dimension BC</b>	14.5 in 368.3 mm
<b>Dimension B Exp</b>	3.34 in 84.8 mm
<b>Dimension B Fix</b>	3.26 in 82.8 mm
<b>Dimension C</b>	8.07 in 205 mm
<b>Dimension D</b>	12 in 304.8 mm
<b>Dimension E</b>	7.25 in 184.2 mm
<b>Dimension F</b>	17.0000 in 431.800 mm
<b>Dimension G</b>	13 in 330.2 mm

<b>Dimension H</b>	1.03 in 26.2 mm
<b>Dimension J (Bolt Size)</b>	0.875 in 24 mm
<b>Dimension K</b>	2.99 in 75.9 mm
<b>Dimension L Exp</b>	8.12 in 206.2 mm
<b>Dimension L Fix</b>	8.04 in 204.2 mm
<b>Dimension M</b>	4.57 in 116.1 mm
<b>Dimension N</b>	4.78 in 121.4 mm
<b>Dimension R</b>	0.48 in 12.2 mm
<b>Dimension S</b>	7.56 in 192 mm

## Radial and Thrust Factors

<b>C0 - Static Load</b>	372000 lbf 1660000 N
<b>C - Dynamic Load (Basic)</b>	286000 lbf 1270000 N
<b>e - Geometry Factor</b>	0.32
<b>Y1 - Geometry Factor</b>	2.08
<b>Y2 - Geometry Factor</b>	3.10

## Engineering Seal Speed

<b>Oil Lubrication - M/N Seal</b>	650 rpm
-----------------------------------	---------

<b>Oil Lubrication - T Seal</b>	950 rpm
---------------------------------	---------

<b>Oil Lubrication - B/C/O Seal</b>	350 rpm
-------------------------------------	---------

<b>Grease Lubrication - M/N Seal</b>	600 rpm
--------------------------------------	---------

<b>Grease Lubrication - T Seal</b>	800 rpm
------------------------------------	---------

<b>Grease Lubrication - B/C/O Seal</b>	350 rpm
--	---------

## Engineering Bearing Attributes

<b>Float</b>	0.083 in 2.108 mm
--------------	----------------------

<b>Shaft Tolerance</b>	0.0050 in 0.127 mm
------------------------	-----------------------

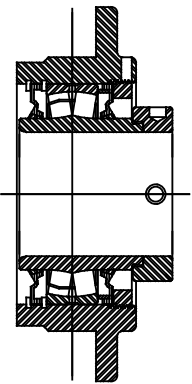
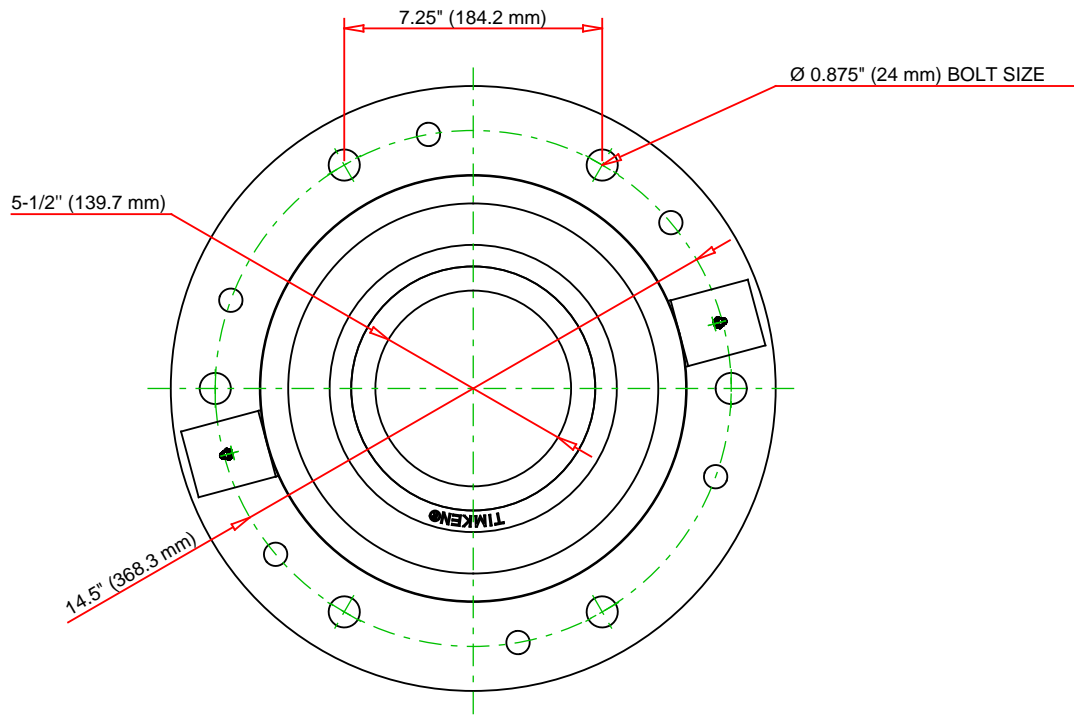
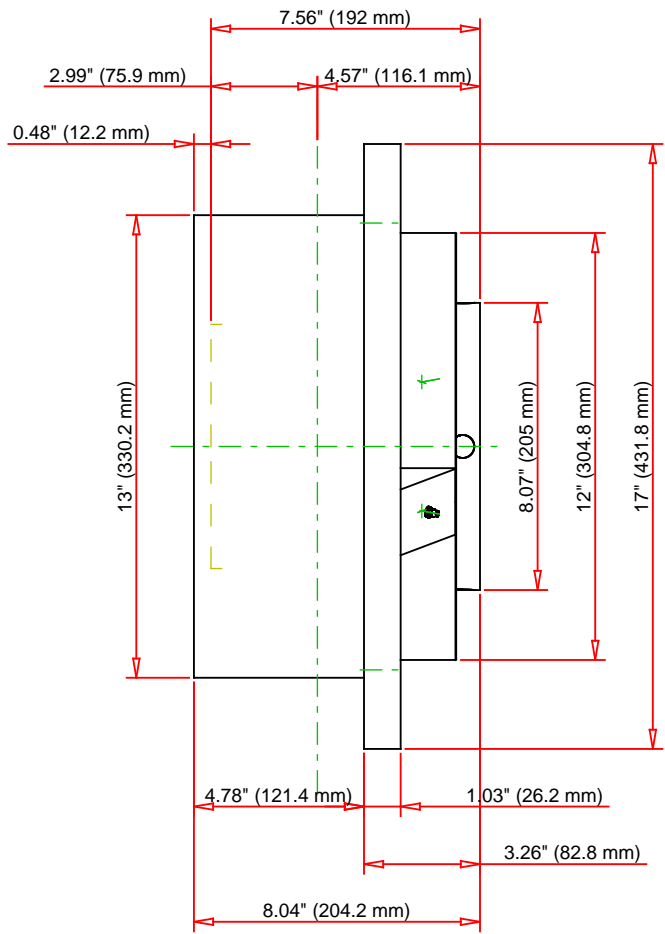
## Engineering Internal Radial Clearance

<b>Eng Internal Radial Clearance - Min</b>	0.0043
--	--------

<b>Eng Internal Radial Clearance - Max</b>	0.0067
--	--------

<b>Pre Install Clearance Min</b>	0.0043 in 0.110 mm
----------------------------------	-----------------------

<b>Pre Install Clearance Max</b>	0.0067 in 0.170 mm
----------------------------------	-----------------------



Note: Section View not to Scale

C - Dynamic Load	286000	lbf	1270000	N
C0 - Static Load	372000	lbf	1660000	N
Weight	226	lb	102.5	kg
Max. Speed T-Seals & Grease	800	rpm		
Rad. Clearance - Max.	0.0067			

**TIMKEN**  
THE TIMKEN COMPANY  
NORTH CANTON, OHIO USA

**QMCW30J508S**  
Eccentric Piloted Flange Cartridge

Every reasonable effort has been made to ensure the accuracy of the information contained in this writing, but no liability is accepted for errors, omissions or for any other reason.

**FOR DISCUSSION ONLY**