



The Timken Company

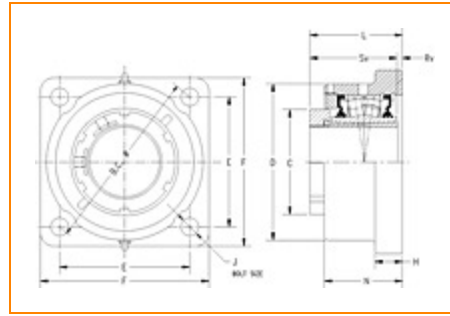
4500 Mt Pleasant St. NW

N. Canton, OH 44720

Phone: (234) 262-3000

E-Mail: CustomerCAD@timken.com • **Web site:** www.timken.com

Part Number QVF16V215S, Single V-Lock Four-Bolt Square Flange Block



[Specifications](#) | [Dimensions](#) | [Radial and Thrust Factors](#) | [Engineering Seal Speed](#) | [Engineering Bearing Attributes](#) | [Engineering Internal Radial Clearance](#)

Specifications

Engineering Group Mounted Bearing

Bearing Number 22216

Shaft Size 2 15/16 in

Shaft Size Type Imperial

Full Timken Part Number

- QVF16V215SB
- QVF16V215SC
- QVF16V215SCN
- QVF16V215SEB
- QVF16V215SEC
- QVF16V215SEM
- QVF16V215SEN
- QVF16V215SEO
- QVF16V215SET
- QVF16V215SM
- QVF16V215SN



QVF16V215SO
QVF16V215ST

Locking Style

Single V-Lock

Housing Construction

Four-Bolt Square Flange

UPC Code

0883450040099
0883450040129
0883450107532
0883450107570
0883450178396
0883450210744
0883450211123
0883450223164
0883450223546
0883450235662
0883450236041
0883450295727
0883450409520

Dimensions**Dimension BC**

8.48 in
215.4 mm

Dimension C

4.19 in
106.4 mm

Dimension D

6.65 in
168.9 mm

Dimension L

3.45 in
87.6 mm

Dimension E

6 in
152.4 mm

Dimension F

7.44 in
189 mm

Dimension H

1.06 in
26.9 mm

Dimension J (Bolt Size)	0.75 in 20 mm
Dimension L Exp	3.53 in 89.7 mm
Dimension L Fix	3.45 in 87.6 mm
Dimension N	2.98 in 75.7 mm
Dimension RV	0.16 in 4.1 mm
Dimension SV	3.29 in 83.6 mm

Radial and Thrust Factors

C0 - Static Load	62500 lbf 278000 N
C - Dynamic Load (Basic)	57200 lbf 254000 N
e - Geometry Factor	0.22
Y1 - Geometry Factor	3.01
Y2 - Geometry Factor	4.48

Engineering Seal Speed

Oil Lubrication - M/N Seal	1500 rpm
Oil Lubrication - T Seal	2650 rpm
Oil Lubrication - B/C/O Seal	1200 rpm
Grease Lubrication - M/N Seal	1500 rpm

Grease Lubrication - T Seal	2200 rpm
------------------------------------	----------

Grease Lubrication - B/C/O Seal	1150 rpm
--	----------

Engineering Bearing Attributes

Float	0.083 in 2.108 mm
--------------	----------------------

Shaft Tolerance	0.0020 in 0.051 mm
------------------------	-----------------------

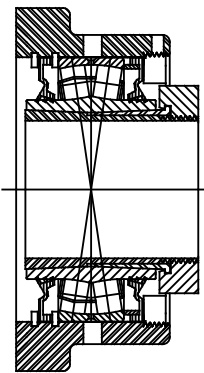
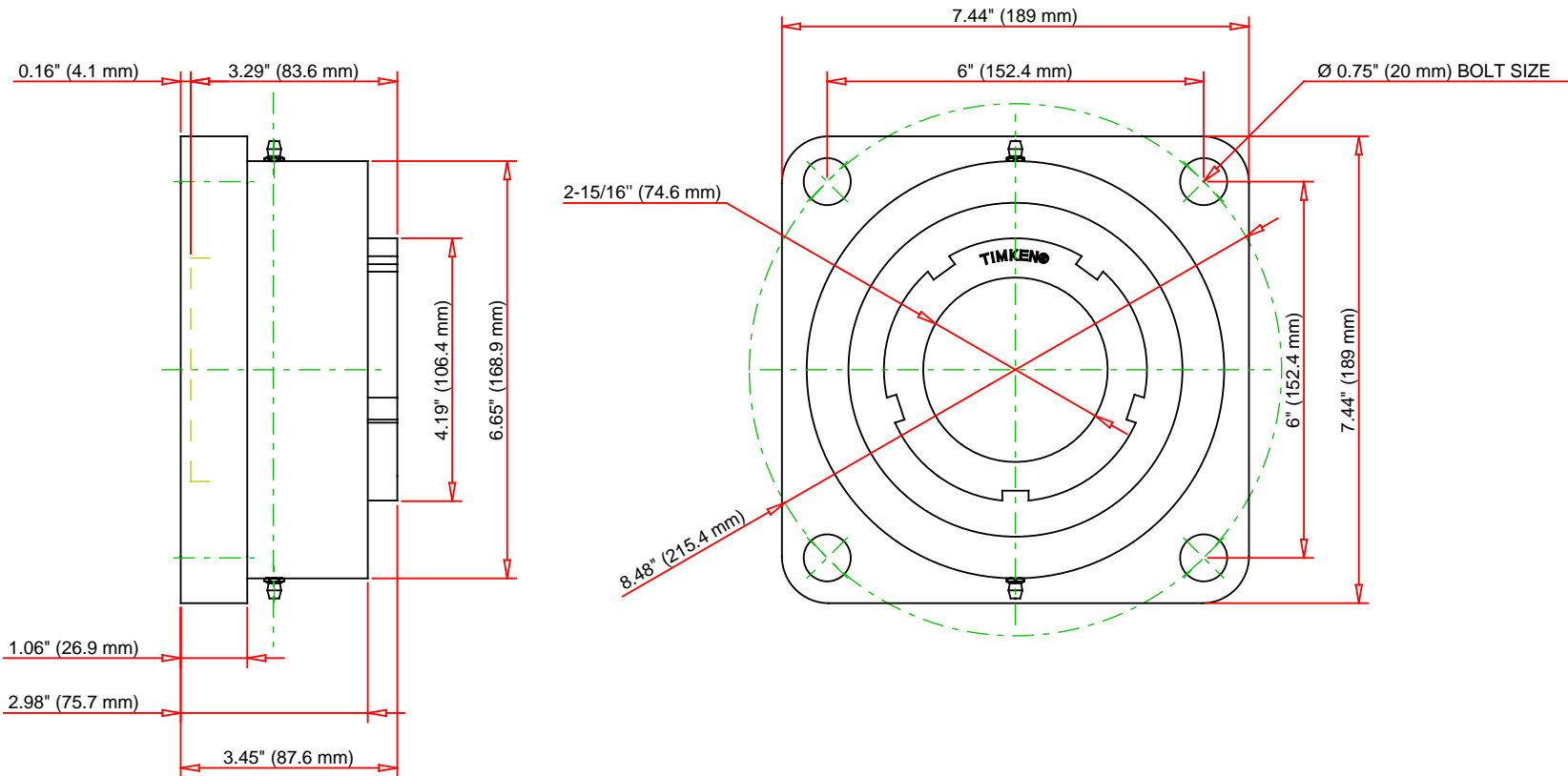
Engineering Internal Radial Clearance

Eng Internal Radial Clearance - Min	0.0037
--	--------

Eng Internal Radial Clearance - Max	0.0047
--	--------

Pre Install Clearance Min	0.0037 in 0.095 mm
----------------------------------	-----------------------

Pre Install Clearance Max	0.0047 in 0.120 mm
----------------------------------	-----------------------



Note: Section View not to Scale

C - Dynamic Load	57200	lbf	254000	N
C0 - Static Load	62500	lbf	278000	N
Weight	23	lb	10.4	kg
Max. Speed T-Seals & Grease	2200	rpm		
Rad. Clearance - Max.	0.0047			

TIMKEN

THE TIMKEN COMPANY
NORTH CANTON, OHIO USA

QVF16V215S

Single V-Lock Four-Bolt Square
Flange Block

Every reasonable effort has been made to ensure the accuracy of the information contained in this writing, but no liability is accepted for errors, omissions or for any other reason.

FOR DISCUSSION ONLY