



The Timken Company

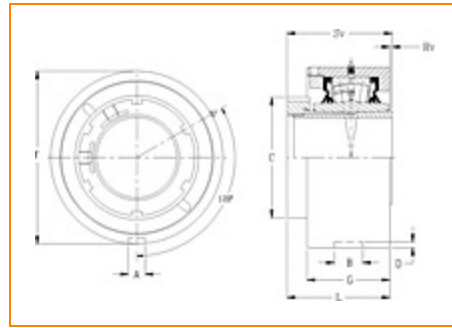
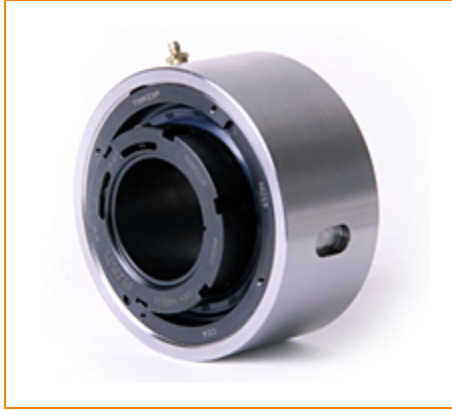
4500 Mt Pleasant St. NW

N. Canton, OH 44720

Phone: (234) 262-3000

E-Mail: CustomerCAD@timken.com • **Web site:** www.timken.com

Part Number QVMC15V207S, Single V-Lock Cartridge Block



[Specifications](#) | [Dimensions](#) | [Radial and Thrust Factors](#) | [Engineering Seal Speed](#) | [Engineering Bearing Attributes](#) | [Engineering Internal Radial Clearance](#)

Specifications

Engineering Group Mounted Bearing

Bearing Number 22215

Shaft Size 2 7/16 in

Shaft Size Type Imperial

Full Timken Part Number

- QVMC15V207SB
- QVMC15V207SC
- QVMC15V207SEB
- QVMC15V207SEC
- QVMC15V207SEM
- QVMC15V207SEN
- QVMC15V207SEO
- QVMC15V207SET
- QVMC15V207SM
- QVMC15V207SN
- QVMC15V207SO
- QVMC15V207ST



Locking Style	Single V-Lock
Housing Construction	Cartridge
UPC Code	0883450046220 0883450046299 0883450207911 0883450208062 0883450220330 0883450220484 0883450232760 0883450232913 0883450241502 0883450241656 0883450246460 0883450246613

Dimensions

Dimension A	0.594 in 15.1 mm
Dimension B	1.032 in 26.2 mm
Dimension C	3.7 in 94 mm
Dimension D	0.25 in 6.4 mm
Dimension F	5 7/8 in 149.2 mm
Dimension G	2.78 in 70.6 mm
Dimension L Exp	3.52 in 89.4 mm
Dimension L Fix	3.44 in 87.4 mm

Dimension RV	0.2 in 5.1 mm
Dimension SV	3.25 in 82.6 mm

Radial and Thrust Factors

C0 - Static Load	54100 lbf 240000 N
C - Dynamic Load (Basic)	49900 lbf 222000 N
e - Geometry Factor	0.22
Y1 - Geometry Factor	3.14
Y2 - Geometry Factor	4.67

Engineering Seal Speed

Oil Lubrication - M/N Seal	1600 rpm
Oil Lubrication - T Seal	2900 rpm
Oil Lubrication - B/C/O Seal	1300 rpm
Grease Lubrication - M/N Seal	1600 rpm
Grease Lubrication - T Seal	2400 rpm
Grease Lubrication - B/C/O Seal	1300 rpm

Engineering Bearing Attributes

Float	0.083 in 2.108 mm
--------------	----------------------

Shaft Tolerance	0.0015 in 0.038 mm
------------------------	-----------------------

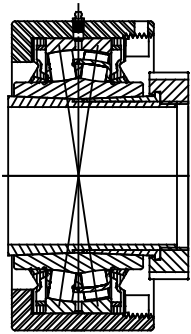
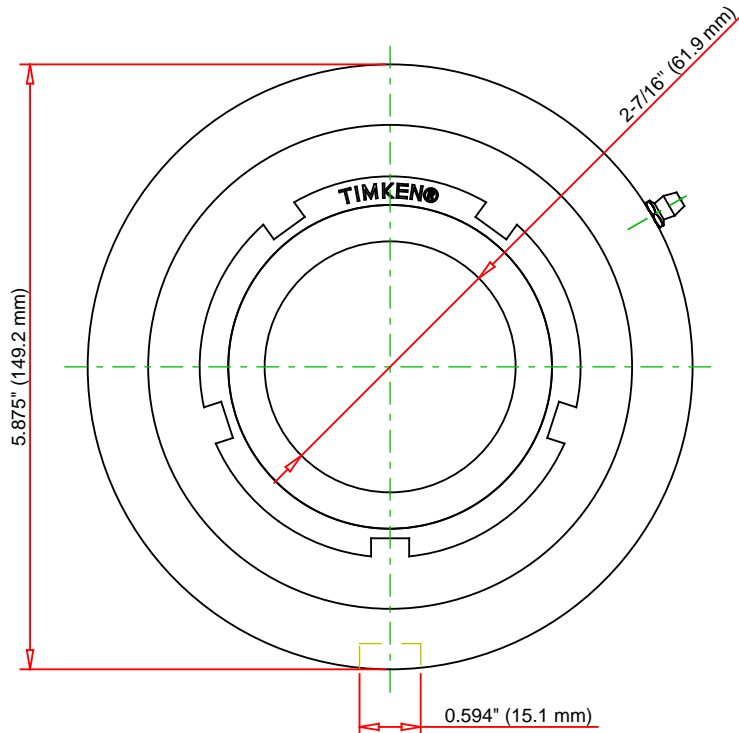
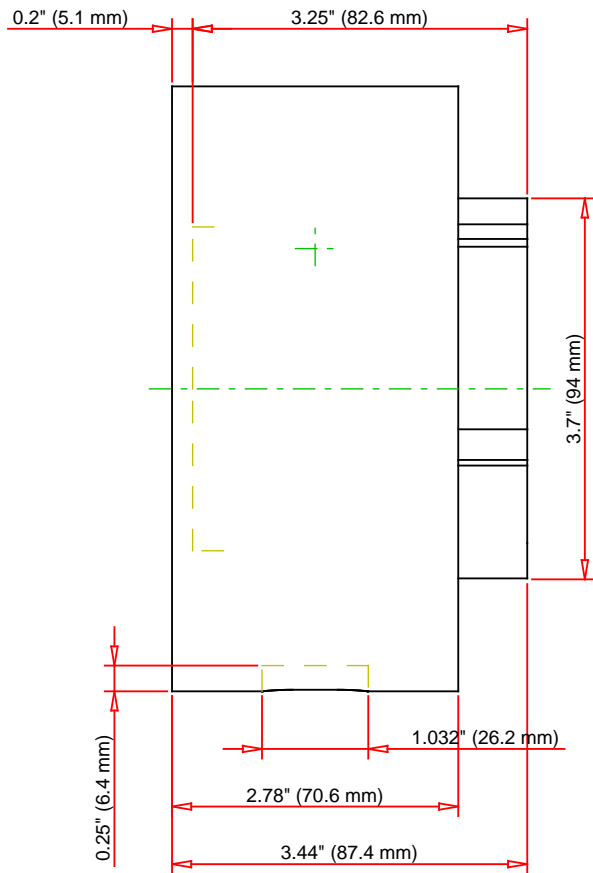
Engineering Internal Radial Clearance

Eng Internal Radial Clearance - Min	0.0030
--	--------

Eng Internal Radial Clearance - Max	0.0037
--	--------

Pre Install Clearance Min	0.0030 in 0.075 mm
----------------------------------	-----------------------

Pre Install Clearance Max	0.0037 in 0.095 mm
----------------------------------	-----------------------



Note: Section View not to Scale

C - Dynamic Load	49900	lbf	222000	N
C0 - Static Load	54100	lbf	240000	N
Weight	18	lb	8.2	kg
Max. Speed T-Seals & Grease	2400	rpm		
Rad. Clearance - Max.	0.0037			

TIMKEN

THE TIMKEN COMPANY
NORTH CANTON, OHIO USA

QVMC15V207S
Single V-Lock Cartridge Block

Every reasonable effort has been made to ensure the accuracy of the information contained in this writing, but no liability is accepted for errors, omissions or for any other reason.

FOR DISCUSSION ONLY