


The Timken Company

4500 Mt Pleasant St. NW

N. Canton, OH 44720

Phone: (234) 262-3000

E-Mail: CustomerCAD@timken.com • **Web site:** www.timken.com
Part Number QAC20A400S, Single Concentric Piloted Flange Cartridge


[Specifications](#) | [Dimensions](#) | [Radial and Thrust Factors](#) | [Engineering Seal Speed](#) | [Engineering Bearing Attributes](#) | [Engineering Internal Radial Clearance](#)

Specifications

Engineering Group Mounted Bearing

Bearing Number 22220

Shaft Size 4 in

Shaft Size Type Imperial

Full Timken Part Number

- QAC20A400SB
- QAC20A400SC
- QAC20A400SEB
- QAC20A400SEC
- QAC20A400SEM
- QAC20A400SEN
- QAC20A400SEO
- QAC20A400SET
- QAC20A400SM
- QAC20A400SN
- QAC20A400SO
- QAC20A400ST



Locking Style	Single Concentric
----------------------	-------------------

Housing Construction	Piloted Flange Cartridge
-----------------------------	--------------------------

UPC Code	0883450036108
	0883450036115
	0883450036139
	0883450036146
	0883450036153
	0883450036160
	0883450036177
	0883450036184
	0883450193283
	0883450193443
0883450270472	
0883450270632	

Dimensions

Dimension BC	9.38 in 238.3 mm
---------------------	---------------------

Dimension B Exp	2.93 in 74.4 mm
------------------------	--------------------

Dimension B Fix	2.84 in 72.1 mm
------------------------	--------------------

Dimension C	6 in 152.4 mm
--------------------	------------------

Dimension D	8.13 in 206.5 mm
--------------------	---------------------

Dimension E	6.63 in 168.4 mm
--------------------	---------------------

Dimension F	10.88 in 276.4 mm
--------------------	----------------------

Dimension G	8.125 in 206.4 mm
--------------------	----------------------

Dimension H	1 in 25.4 mm
Dimension J (Bolt Size)	0.75 in 20 mm
Dimension KA	1.63 in 41.4 mm
Dimension L Exp	5.05 in 128.3 mm
Dimension L Fix	4.97 in 126.2 mm
Dimension M	2.97 in 75.4 mm
Dimension N	2.13 in 54.1 mm
Dimension RA	0.37 in 9.4 mm
Dimension SA	4.59 in 116.6 mm

Radial and Thrust Factors

C0 - Static Load	113000 lbf 502000 N
C - Dynamic Load (Basic)	97700 lbf 435000 N
e - Geometry Factor	0.24
Y1 - Geometry Factor	2.85
Y2 - Geometry Factor	4.24

Engineering Seal Speed

Oil Lubrication - M/N Seal	1200 rpm
-----------------------------------	----------

Oil Lubrication - T Seal	2000 rpm
---------------------------------	----------

Oil Lubrication - B/C/O Seal	900 rpm
-------------------------------------	---------

Grease Lubrication - M/N Seal	1200 rpm
--------------------------------------	----------

Grease Lubrication - T Seal	1600 rpm
------------------------------------	----------

Grease Lubrication - B/C/O Seal	900 rpm
--	---------

Engineering Bearing Attributes

Float	0.083 in 2.108 mm
--------------	----------------------

Shaft Tolerance	0.0030 in 0.076 mm
------------------------	-----------------------

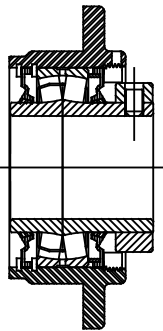
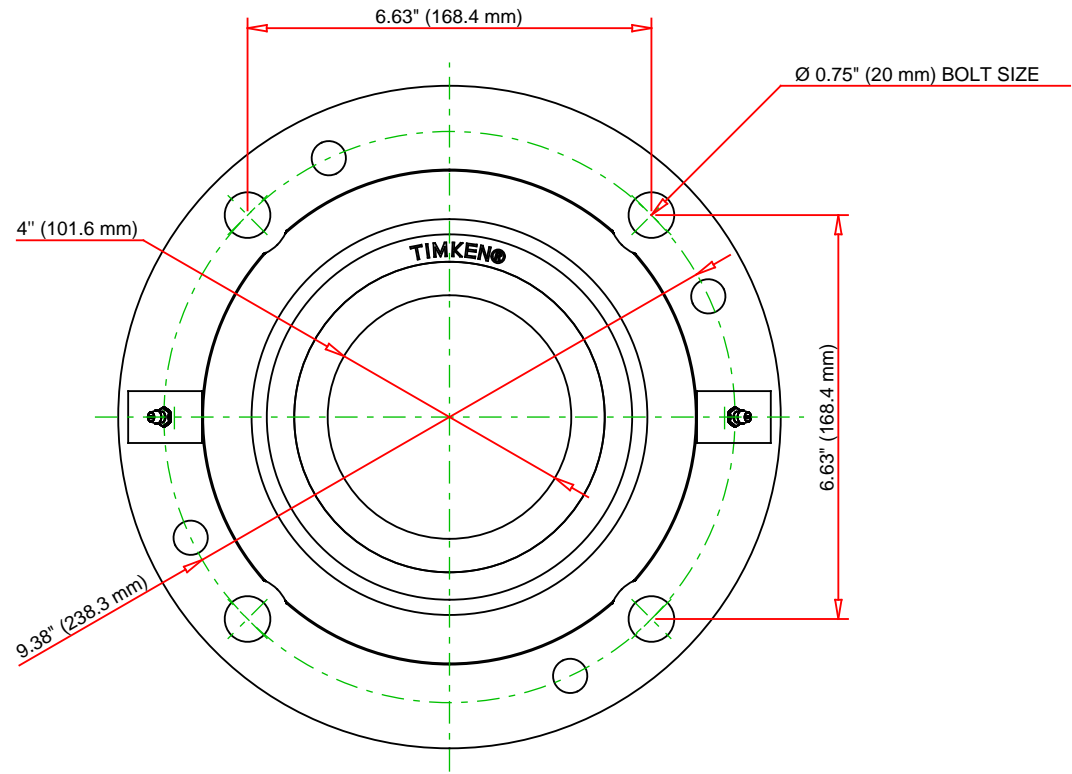
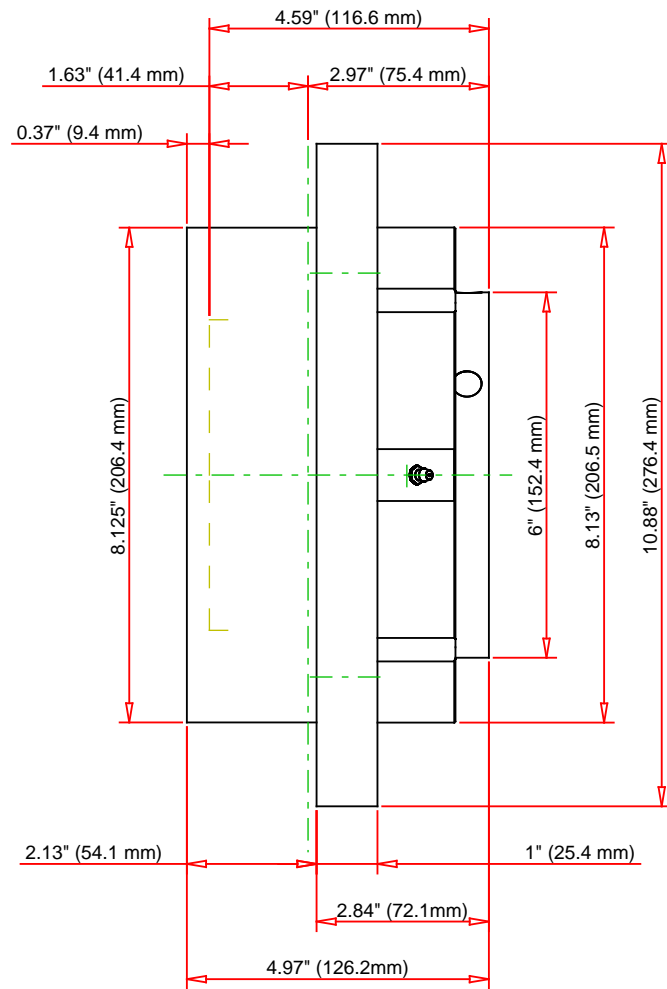
Engineering Internal Radial Clearance

Eng Internal Radial Clearance - Min	0.0030
--	--------

Eng Internal Radial Clearance - Max	0.0047
--	--------

Pre Install Clearance Min	0.0030 in 0.075 mm
----------------------------------	-----------------------

Pre Install Clearance Max	0.0047 in 0.120 mm
----------------------------------	-----------------------



Note: Section View not to Scale

C - Dynamic Load	97700	lbf	435000	N
C0 - Static Load	113000	lbf	502000	N
Weight	43	lb	19.5	kg
Max. Speed T-Seals & Grease	1600	rpm		
Rad. Clearance - Max.	0.0047			

TIMKEN

THE TIMKEN COMPANY
NORTH CANTON, OHIO USA

QAC20A400S

Single Concentric Piloted Flange
Cartridge

Every reasonable effort has been made to ensure the accuracy of the information contained in this writing, but no liability is accepted for errors, omissions or for any other reason.

FOR DISCUSSION ONLY