



The Timken Company

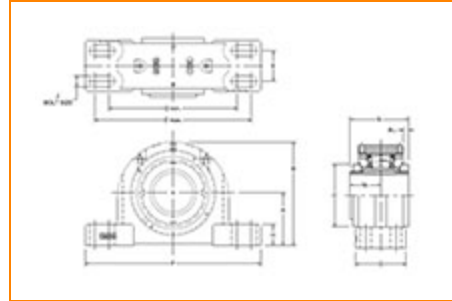
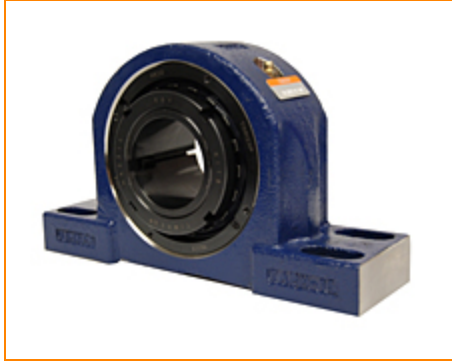
4500 Mt Pleasant St. NW

N. Canton, OH 44720

Phone: (234) 262-3000

E-Mail: CustomerCAD@timken.com • **Web site:** www.timken.com

Part Number TAAPH26K407S, Double Nut Tapered Adapter Four-Bolt Pillow Block



[Specifications](#) | [Dimensions](#) | [Radial and Thrust Factors](#) | [Engineering Seal Speed](#) | [Engineering Bearing Attributes](#) | [Engineering Internal Radial Clearance](#)

Specifications

Engineering Group Mounted Bearing

Bearing Number 22226

Shaft Size 4 7/16 in

Shaft Size Type Imperial

Full Timken Part Number

- TAAPH26K407SB
- TAAPH26K407SC
- TAAPH26K407SEB
- TAAPH26K407SEC
- TAAPH26K407SEM
- TAAPH26K407SEN
- TAAPH26K407SEO
- TAAPH26K407SET
- TAAPH26K407SM
- TAAPH26K407SN
- TAAPH26K407SO
- TAAPH26K407ST
- TAAPH26K407STHT



Locking Style	Double Nut Tapered Adapter
----------------------	----------------------------

Housing Construction	Four-Bolt Pillow Block
-----------------------------	------------------------

UPC Code	0883450130172
	0883450130189
	0883450130202
	0883450130219
	0883450130226
	0883450130233
	0883450130240
	0883450130257
	0883450198622
	0883450198820
	0883450276122
0883450276320	
0883450458146	

Dimensions

Dimension A	6 in 152.4 mm
--------------------	------------------

Dimension B	11.18 in 284 mm
--------------------	--------------------

Dimension C	6.5 in 165.1 mm
--------------------	--------------------

Dimension D Min	14.25 in 362 mm
------------------------	--------------------

Dimension D Max	15.75 in 400.1 mm
------------------------	----------------------

Dimension E	3.25 in 82.6 mm
--------------------	--------------------

Dimension F	17-1/2 in 444.5 mm
--------------------	-----------------------

Dimension G	5.04 in 128 mm
--------------------	-------------------

Dimension H	2.04 in 51.8 mm
--------------------	--------------------

Dimension J (Bolt Size)	0.875 in 24 mm
--------------------------------	-------------------

Dimension L	5.35 in 135.9 mm
--------------------	---------------------

Dimension MT	3.01 in 76.5 mm
---------------------	--------------------

Dimension RTT	0.8 in 20.3 mm
----------------------	-------------------

Dimension ST	5.89 in 149.6 mm
---------------------	---------------------

Radial and Thrust Factors

C0 - Static Load	212000 lbf 945000 N
-------------------------	------------------------

C - Dynamic Load (Basic)	170000 lbf 757000 N
---------------------------------	------------------------

e - Geometry Factor	0.26
----------------------------	------

Y1 - Geometry Factor	2.62
-----------------------------	------

Y2 - Geometry Factor	3.9
-----------------------------	-----

Engineering Seal Speed

Oil Lubrication - M/N Seal	700 rpm
-----------------------------------	---------

Oil Lubrication - T Seal	1500 rpm
---------------------------------	----------

Oil Lubrication - B/C/O Seal	400 rpm
-------------------------------------	---------

Grease Lubrication - M/N Seal	700 rpm
--------------------------------------	---------

Grease Lubrication - T Seal	1000 rpm
------------------------------------	----------

Grease Lubrication - B/C/O Seal	400 rpm
--	---------

Engineering Bearing Attributes

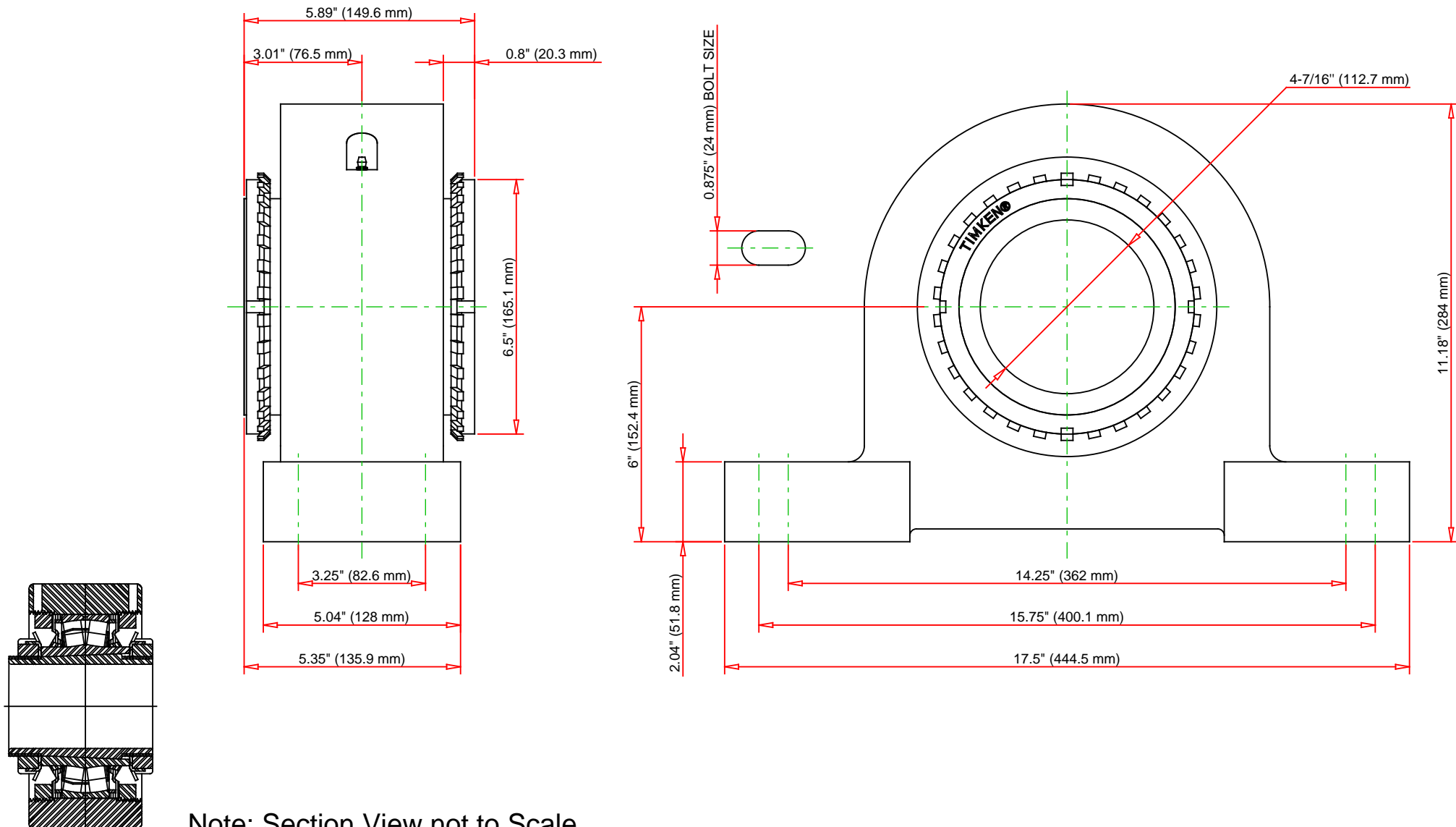
Float	0.083 in 2.108 mm
--------------	----------------------

Shaft Tolerance	0.0040 in 0.102 mm
------------------------	-----------------------

Engineering Internal Radial Clearance

Pre Install Clearance Min	0.0063 in 0.160 mm
----------------------------------	-----------------------

Pre Install Clearance Max	0.0079 in 0.201 mm
----------------------------------	-----------------------



Note: Section View not to Scale

C - Dynamic Load	170000	lbf	757000	N
C0 - Static Load	212000	lbf	945000	N
Weight	136	lb	61.7	kg
Max. Speed T-Seals & Grease	1000	rpm		
Rad. Clearance - Max.				

TIMKEN

THE TIMKEN COMPANY
NORTH CANTON, OHIO USA

TAAPH26K407S
Double Nut Tapered Adapter Four-Bolt
Pillow Block

Every reasonable effort has been made to ensure the accuracy of the information contained in this writing, but no liability is accepted for errors, omissions or for any other reason.

FOR DISCUSSION ONLY