



The Timken Company

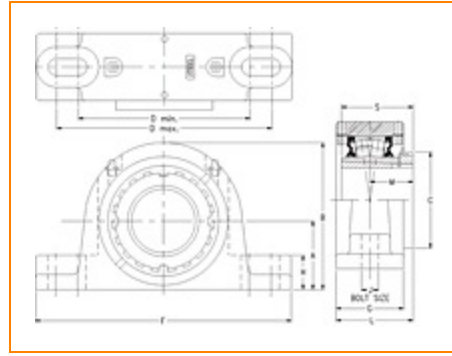
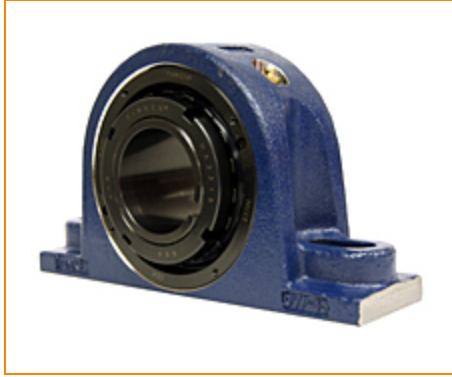
4500 Mt Pleasant St. NW

N. Canton, OH 44720

Phone: (234) 262-3000

E-Mail: CustomerCAD@timken.com • **Web site:** www.timken.com

Part Number TAPA13K204S, Tapered Adapter Two-Bolt Pillow Block



[Specifications](#) | [Dimensions](#) | [Radial and Thrust Factors](#) | [Engineering Seal Speed](#) | [Engineering Bearing Attributes](#) | [Engineering Internal Radial Clearance](#)

Specifications

Engineering Group Mounted Bearing

Bearing Number 22213

Shaft Size 2 1/4 in

Shaft Size Type Imperial

Full Timken Part Number

- TAPA13K204SB
- TAPA13K204SC
- TAPA13K204SEB
- TAPA13K204SEC
- TAPA13K204SEM
- TAPA13K204SEN
- TAPA13K204SEO
- TAPA13K204SET
- TAPA13K204SM
- TAPA13K204SN
- TAPA13K204SO
- TAPA13K204ST



Locking Style	Tapered Adapter
----------------------	-----------------

Housing Construction	Two-Bolt Pillow Block
-----------------------------	-----------------------

UPC Code	0883450124874
	0883450124881
	0883450124904
	0883450124911
	0883450124928
	0883450124935
	0883450124942
	0883450124959
	0883450197687
	0883450197885
0883450275187	
0883450275385	

Dimensions

Dimension A	3 in 76.2 mm
--------------------	-----------------

Dimension B	5.95 in 151.1 mm
--------------------	---------------------

Dimension C	3.35 in 85.1 mm
--------------------	--------------------

Dimension D Min	7.2 in 182.9 mm
------------------------	--------------------

Dimension D Max	9.2 in 233.7 mm
------------------------	--------------------

Dimension F	10.61 in 269.5 mm
--------------------	----------------------

Dimension G	2.7 in 68.6 mm
--------------------	-------------------

Dimension H	1.23 in 31.2 mm
--------------------	--------------------

Dimension J (Bolt Size)	0.625 in 16 mm
--------------------------------	-------------------

Dimension L	2.91 in 73.9 mm
--------------------	--------------------

Dimension M	1.56 in 39.6 mm
--------------------	--------------------

Dimension S	2.56 in 65 mm
--------------------	------------------

Radial and Thrust Factors

C0 - Static Load	48600 lbf 216000 N
-------------------------	-----------------------

C - Dynamic Load (Basic)	46400 lbf 206000 N
---------------------------------	-----------------------

e - Geometry Factor	0.24
----------------------------	------

Y1 - Geometry Factor	2.79
-----------------------------	------

Y2 - Geometry Factor	4.15
-----------------------------	------

Engineering Seal Speed

Oil Lubrication - M/N Seal	1800 rpm
-----------------------------------	----------

Oil Lubrication - T Seal	3200 rpm
---------------------------------	----------

Oil Lubrication - B/C/O Seal	1500 rpm
-------------------------------------	----------

Grease Lubrication - M/N Seal	1800 rpm
--------------------------------------	----------

Grease Lubrication - T Seal	2800 rpm
------------------------------------	----------

Grease Lubrication - B/C/O Seal	1500 rpm
--	----------

Engineering Bearing Attributes

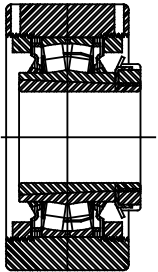
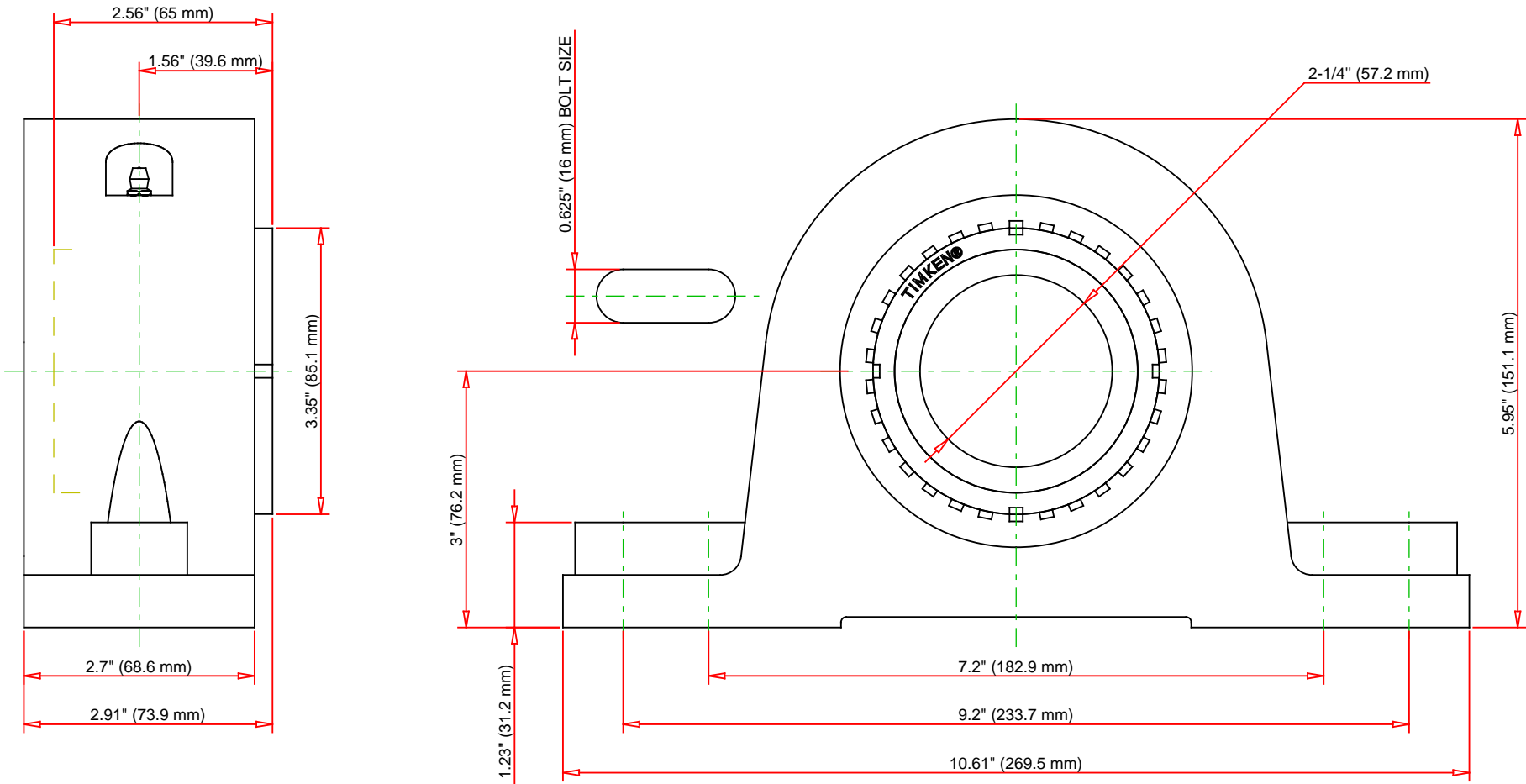
Float	0.050 in 1.270 mm
--------------	----------------------

Shaft Tolerance	0.0030 in 0.076 mm
------------------------	-----------------------

Engineering Internal Radial Clearance

Pre Install Clearance Min	0.0030 in 0.075 mm
----------------------------------	-----------------------

Pre Install Clearance Max	0.0037 in 0.094 mm
----------------------------------	-----------------------



Note: Section View not to Scale

C - Dynamic Load	46400	lbf	206000	N
C0 - Static Load	48600	lbf	216000	N
Weight	23	lb	10.4	kg
Max. Speed T-Seals & Grease	2800	rpm		
Rad. Clearance - Max.	0.0037			

TIMKEN

THE TIMKEN COMPANY
NORTH CANTON, OHIO USA

TAPA13K204S

Tapered Adapter Two-Bolt Pillow
Block

Every reasonable effort has been made to ensure the accuracy of the information contained in this writing, but no liability is accepted for errors, omissions or for any other reason.

FOR DISCUSSION ONLY