



The Timken Company

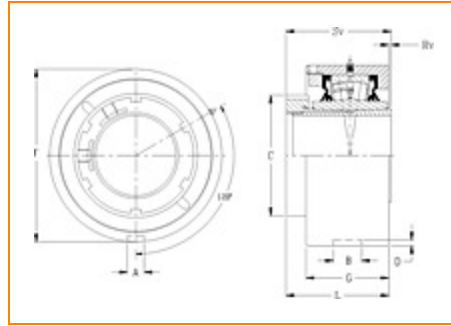
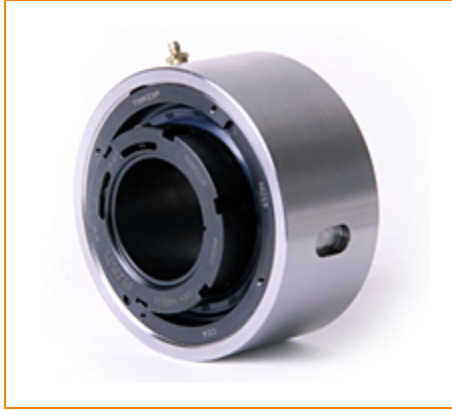
4500 Mt Pleasant St. NW

N. Canton, OH 44720

Phone: (234) 262-3000

E-Mail: CustomerCAD@timken.com • **Web site:** www.timken.com

Part Number QVMC20V085S, Single V-Lock Cartridge Block



[Specifications](#) | [Dimensions](#) | [Radial and Thrust Factors](#) | [Engineering Seal Speed](#) | [Engineering Bearing Attributes](#) | [Engineering Internal Radial Clearance](#)

Specifications

Engineering Group Mounted Bearing

Bearing Number 22220

Shaft Size 85 mm

Shaft Size Type Metric

Full Timken Part Number

- QVMC20V085SB
- QVMC20V085SC
- QVMC20V085SEB
- QVMC20V085SEC
- QVMC20V085SEM
- QVMC20V085SEN
- QVMC20V085SEO
- QVMC20V085SET
- QVMC20V085SM
- QVMC20V085SN
- QVMC20V085SO
- QVMC20V085ST



Locking Style	Single V-Lock
Housing Construction	Cartridge
UPC Code	0883450150705 0883450150859 0883450158558 0883450158848 0883450179911 0883450180061 0883450190367 0883450199001 0883450280648 0883450280792 0883450284844 0883450284998

Dimensions

Dimension A	0.781 in 19.8 mm
Dimension B	1.281 in 32.5 mm
Dimension C	4.9 in 124.5 mm
Dimension D	0.313 in 8 mm
Dimension F	8.1250 in 206.4 mm
Dimension G	3.37 in 85.6 mm
Dimension L Exp	4.1 in 104.1 mm
Dimension L Fix	4.02 in 102.1 mm

Dimension RV	0.27 in 6.9 mm
---------------------	-------------------

Dimension SV	3.75 in 95.3 mm
---------------------	--------------------

Radial and Thrust Factors

C0 - Static Load	113000 lbf 502000 N
-------------------------	------------------------

C - Dynamic Load (Basic)	97700 lbf 435000 N
---------------------------------	-----------------------

e - Geometry Factor	0.24
----------------------------	------

Y1 - Geometry Factor	2.85
-----------------------------	------

Y2 - Geometry Factor	4.24
-----------------------------	------

Engineering Seal Speed

Oil Lubrication - M/N Seal	1200 rpm
-----------------------------------	----------

Oil Lubrication - T Seal	2000 rpm
---------------------------------	----------

Oil Lubrication - B/C/O Seal	900 rpm
-------------------------------------	---------

Grease Lubrication - M/N Seal	1200 rpm
--------------------------------------	----------

Grease Lubrication - T Seal	1600 rpm
------------------------------------	----------

Grease Lubrication - B/C/O Seal	900 rpm
--	---------

Engineering Bearing Attributes

Float	0.083 in 2.108 mm
--------------	----------------------

Shaft Tolerance	0.0030 in 0.076 mm
------------------------	-----------------------

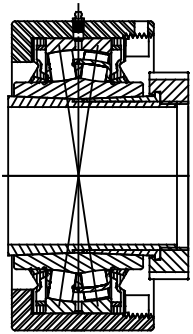
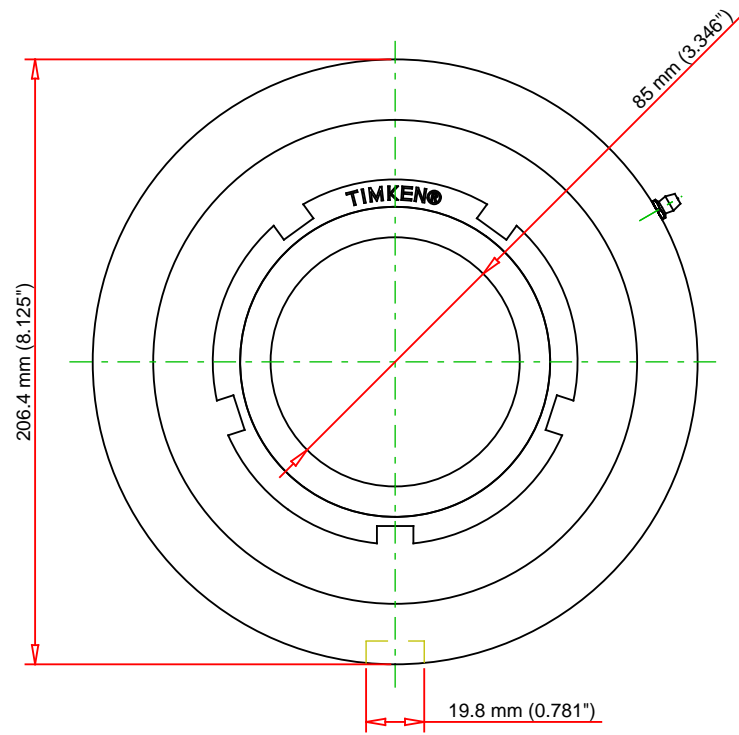
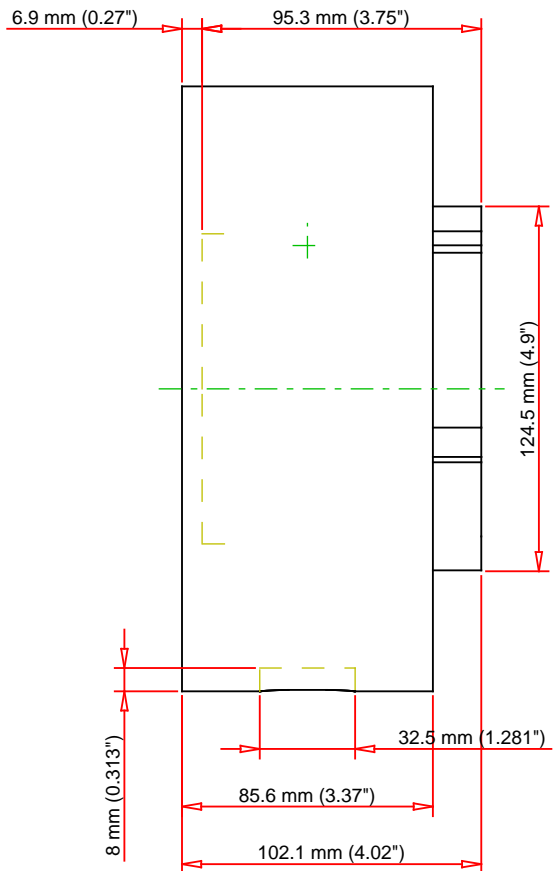
Engineering Internal Radial Clearance

Eng Internal Radial Clearance - Min	0.0043
--	--------

Eng Internal Radial Clearance - Max	0.0055
--	--------

Pre Install Clearance Min	0.0043 in 0.109 mm
----------------------------------	-----------------------

Pre Install Clearance Max	0.0055 in 0.140 mm
----------------------------------	-----------------------



Note: Section View not to Scale

C - Dynamic Load	97700	lbf	435000	N
C0 - Static Load	113000	lbf	502000	N
Weight	32	lb	14.5	kg
Max. Speed T-Seals & Grease	1600	rpm		
Rad. Clearance - Max.	0.0055			

TIMKEN

THE TIMKEN COMPANY
NORTH CANTON, OHIO USA

QVMC20V085S
Single V-Lock Cartridge Block

Every reasonable effort has been made to ensure the accuracy of the information contained in this writing, but no liability is accepted for errors, omissions or for any other reason.

FOR DISCUSSION ONLY