



The Timken Company

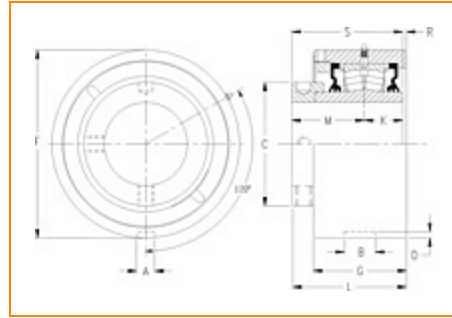
4500 Mt Pleasant St. NW

N. Canton, OH 44720

Phone: (234) 262-3000

E-Mail: CustomerCAD@timken.com • **Web site:** www.timken.com

Part Number QMMC18J308S, Eccentric Cartridge Block



[Specifications](#) | [Dimensions](#) | [Radial and Thrust Factors](#) | [Engineering Seal Speed](#) | [Engineering Bearing Attributes](#) | [Engineering Internal Radial Clearance](#)

Specifications

Engineering Group Mounted Bearing

Bearing Number 22218

Shaft Size 3 1/2 in

Shaft Size Type Imperial

Full Timken Part Number

- QMMC18J308SB
- QMMC18J308SC
- QMMC18J308SEB
- QMMC18J308SEC
- QMMC18J308SEM
- QMMC18J308SEN
- QMMC18J308SEO
- QMMC18J308SET
- QMMC18J308SM
- QMMC18J308SN
- QMMC18J308SO
- QMMC18J308ST



Locking Style	Eccentric
Housing Construction	Cartridge
UPC Code	0883450078429 0883450078436 0883450078450 0883450078467 0883450078474 0883450078481 0883450078498 0883450078504 0883450168014 0883450168694 0883450259811 0883450260299

Dimensions

Dimension A	0.59 in 15 mm
Dimension B	1.06 in 26.9 mm
Dimension C	4.76 in 120.9 mm
Dimension D	0.23 in 5.8 mm
Dimension F	6.7500 in 171.5 mm
Dimension G	3.45 in 87.6 mm
Dimension K	1.44 in 36.6 mm
Dimension L Exp	4.4 in 111.8 mm

Dimension L Fix	4.32 in 109.7 mm
------------------------	---------------------

Dimension M	2.56 in 65 mm
--------------------	------------------

Dimension R	0.29 in 7.4 mm
--------------------	-------------------

Dimension S	4.03 in 102.4 mm
--------------------	---------------------

Radial and Thrust Factors

C0 - Static Load	87200 lbf 388000 N
-------------------------	-----------------------

C - Dynamic Load (Basic)	79700 lbf 355000 N
---------------------------------	-----------------------

e - Geometry Factor	0.23
----------------------------	------

Y1 - Geometry Factor	2.90
-----------------------------	------

Y2 - Geometry Factor	4.31
-----------------------------	------

Engineering Seal Speed

Oil Lubrication - M/N Seal	1400 rpm
-----------------------------------	----------

Oil Lubrication - T Seal	2400 rpm
---------------------------------	----------

Oil Lubrication - B/C/O Seal	1000 rpm
-------------------------------------	----------

Grease Lubrication - M/N Seal	1400 rpm
--------------------------------------	----------

Grease Lubrication - T Seal	2000 rpm
------------------------------------	----------

Grease Lubrication - B/C/O Seal	1000 rpm
--	----------

Engineering Bearing Attributes

Float	0.083 in 2.108 mm
--------------	----------------------

Shaft Tolerance	0.0030 in 0.076 mm
------------------------	-----------------------

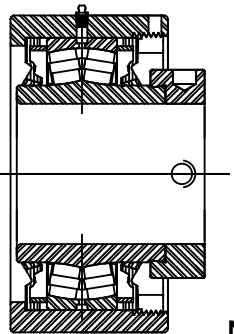
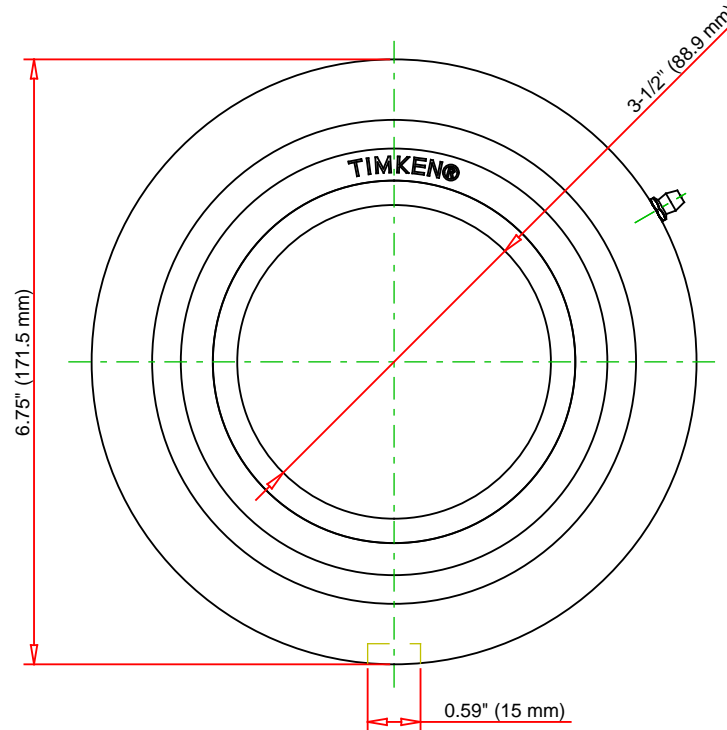
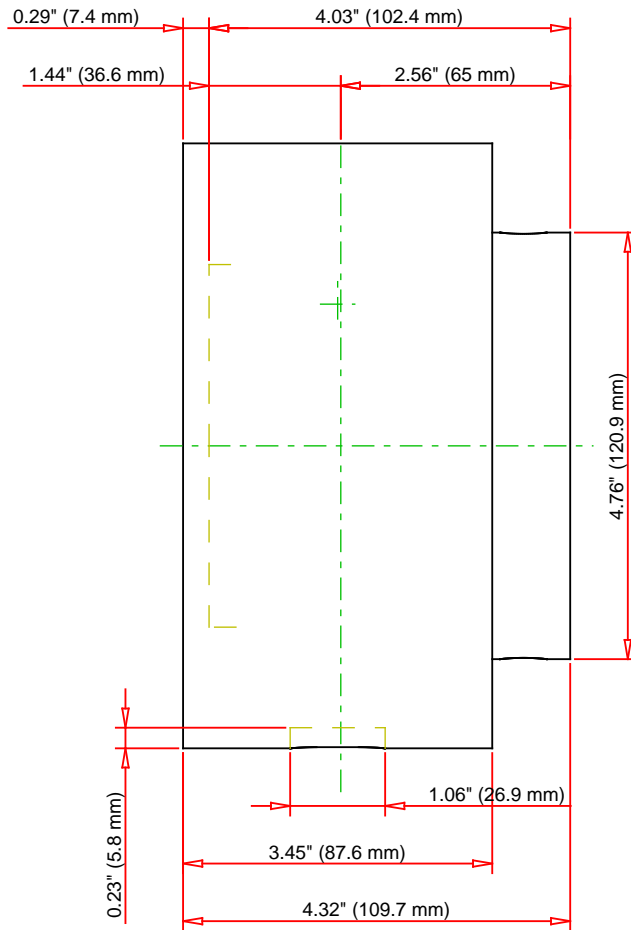
Engineering Internal Radial Clearance

Eng Internal Radial Clearance - Min	0.0024
--	--------

Eng Internal Radial Clearance - Max	0.0039
--	--------

Pre Install Clearance Min	0.0024 in 0.060 mm
----------------------------------	-----------------------

Pre Install Clearance Max	0.0039 in 0.100 mm
----------------------------------	-----------------------



Note: Section View not to Scale

C - Dynamic Load	79700	lbf	355000	N
C0 - Static Load	87200	lbf	388000	N
Weight	26	lb	11.8	kg
Max. Speed T-Seals & Grease	2000	rpm		
Rad. Clearance - Max.	0.0039			

TIMKEN

THE TIMKEN COMPANY
NORTH CANTON, OHIO USA

QMMC18J308S
Eccentric Cartridge Block

Every reasonable effort has been made to ensure the accuracy of the information contained in this writing, but no liability is accepted for errors, omissions or for any other reason.

FOR DISCUSSION ONLY