



**The Timken Company**

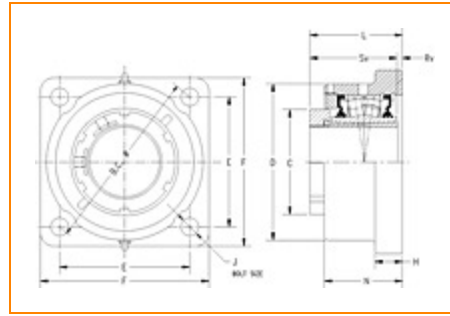
4500 Mt Pleasant St. NW

N. Canton, OH 44720

**Phone:** (234) 262-3000

**E-Mail:** [CustomerCAD@timken.com](mailto:CustomerCAD@timken.com) • **Web site:** [www.timken.com](http://www.timken.com)

## Part Number QVF12V203S, Single V-Lock Four-Bolt Square Flange Block



[Specifications](#) | [Dimensions](#) | [Radial and Thrust Factors](#) | [Engineering Seal Speed](#) | [Engineering Bearing Attributes](#) | [Engineering Internal Radial Clearance](#)

### Specifications

**Engineering Group** Mounted Bearing

**Bearing Number** 22212

**Shaft Size** 2 3/16 in

**Shaft Size Type** Imperial

**Full Timken Part Number**

- QVF12V203SB
- QVF12V203SC
- QVF12V203SEB
- QVF12V203SEC
- QVF12V203SEM
- QVF12V203SEN
- QVF12V203SEO
- QVF12V203SET
- QVF12V203SM
- QVF12V203SN
- QVF12V203SO



QVF12V203ST  
QVF12V203STHT

**Locking Style**

Single V-Lock

**Housing Construction**

Four-Bolt Square Flange

**UPC Code**

0883450091619  
0883450091749  
0883450104593  
0883450104722  
0883450110228  
0883450110426  
0883450120524  
0883450120654  
0883450134354  
0883450134545  
0883450140812  
0883450141253  
0883450495615

**Dimensions****Dimension BC**

6.89 in  
175 mm

**Dimension C**

3.16 in  
80.3 mm

**Dimension D**

5.13 in  
130.3 mm

**Dimension L**

3.32 in  
84.3 mm

**Dimension E**

4.88 in  
124 mm

**Dimension F**

6.19 in  
157.2 mm

**Dimension H**

1 in  
25.4 mm

<b>Dimension J (Bolt Size)</b>	0.625 in 16 mm
<b>Dimension L Exp</b>	3.4 in 86.4 mm
<b>Dimension L Fix</b>	3.32 in 84.3 mm
<b>Dimension N</b>	2.63 in 66.8 mm
<b>Dimension RV</b>	0.18 in 4.6 mm
<b>Dimension SV</b>	3.14 in 79.8 mm

### Radial and Thrust Factors

<b>C0 - Static Load</b>	39000 lbf 174000 N
<b>C - Dynamic Load (Basic)</b>	38100 lbf 169000 N
<b>e - Geometry Factor</b>	0.24
<b>Y1 - Geometry Factor</b>	2.86
<b>Y2 - Geometry Factor</b>	4.25

### Engineering Seal Speed

<b>Oil Lubrication - M/N Seal</b>	2000 rpm
<b>Oil Lubrication - T Seal</b>	3500 rpm
<b>Oil Lubrication - B/C/O Seal</b>	1650 rpm
<b>Grease Lubrication - M/N Seal</b>	2000 rpm

<b>Grease Lubrication - T Seal</b>	3000 rpm
------------------------------------	----------

<b>Grease Lubrication - B/C/O Seal</b>	1550 rpm
--	----------

### Engineering Bearing Attributes

<b>Float</b>	0.050 in 1.270 mm
--------------	----------------------

<b>Shaft Tolerance</b>	0.0015 in 0.038 mm
------------------------	-----------------------

### Engineering Internal Radial Clearance

<b>Eng Internal Radial Clearance - Min</b>	0.0030
--	--------

<b>Eng Internal Radial Clearance - Max</b>	0.0037
--	--------

<b>Pre Install Clearance Min</b>	0.0030 in 0.075 mm
----------------------------------	-----------------------

<b>Pre Install Clearance Max</b>	0.0037 in 0.094 mm
----------------------------------	-----------------------

