



The Timken Company

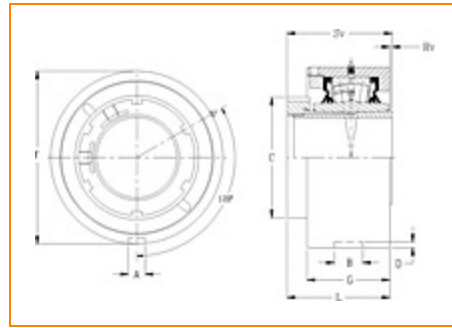
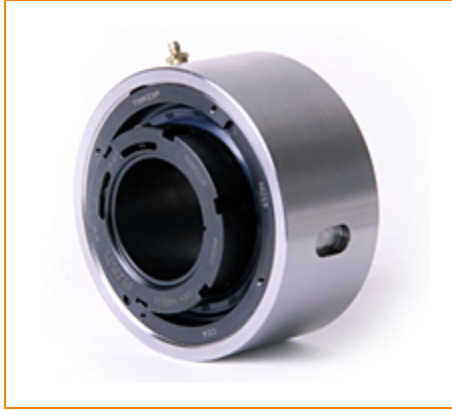
4500 Mt Pleasant St. NW

N. Canton, OH 44720

Phone: (234) 262-3000

E-Mail: CustomerCAD@timken.com • **Web site:** www.timken.com

Part Number QVMC26V408S, Single V-Lock Cartridge Block



[Specifications](#) | [Dimensions](#) | [Radial and Thrust Factors](#) | [Engineering Seal Speed](#) | [Engineering Bearing Attributes](#) | [Engineering Internal Radial Clearance](#)

Specifications

Engineering Group Mounted Bearing

Bearing Number 22226

Shaft Size 4 1/2 in

Shaft Size Type Imperial

Full Timken Part Number

- QVMC26V408SB
- QVMC26V408SC
- QVMC26V408SEB
- QVMC26V408SEC
- QVMC26V408SEM
- QVMC26V408SEN
- QVMC26V408SEO
- QVMC26V408SET
- QVMC26V408SM
- QVMC26V408SN
- QVMC26V408SO
- QVMC26V408ST



Locking Style	Single V-Lock
Housing Construction	Cartridge
UPC Code	0883450047623 0883450047692 0883450208048 0883450208192 0883450220460 0883450220613 0883450232890 0883450233040 0883450241632 0883450241786 0883450246590 0883450246743

Dimensions

Dimension A	0.781 in 19.8 mm
Dimension B	1.5 in 38.1 mm
Dimension C	6.88 in 174.8 mm
Dimension D	0.313 in 8 mm
Dimension F	10.437 in 265.1 mm
Dimension G	4.11 in 104.4 mm
Dimension L Exp	5.65 in 143.5 mm
Dimension L Fix	5.57 in 141.5 mm

Dimension RV	0.25 in 6.4 mm
Dimension SV	5.82 in 147.8 mm

Radial and Thrust Factors

C0 - Static Load	212000 lbf 945000 N
C - Dynamic Load (Basic)	170000 lbf 757000 N
e - Geometry Factor	0.26
Y1 - Geometry Factor	2.62
Y2 - Geometry Factor	3.9

Engineering Seal Speed

Oil Lubrication - M/N Seal	700 rpm
Oil Lubrication - T Seal	1500 rpm
Oil Lubrication - B/C/O Seal	400 rpm
Grease Lubrication - M/N Seal	700 rpm
Grease Lubrication - T Seal	1000 rpm
Grease Lubrication - B/C/O Seal	400 rpm

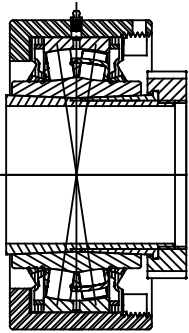
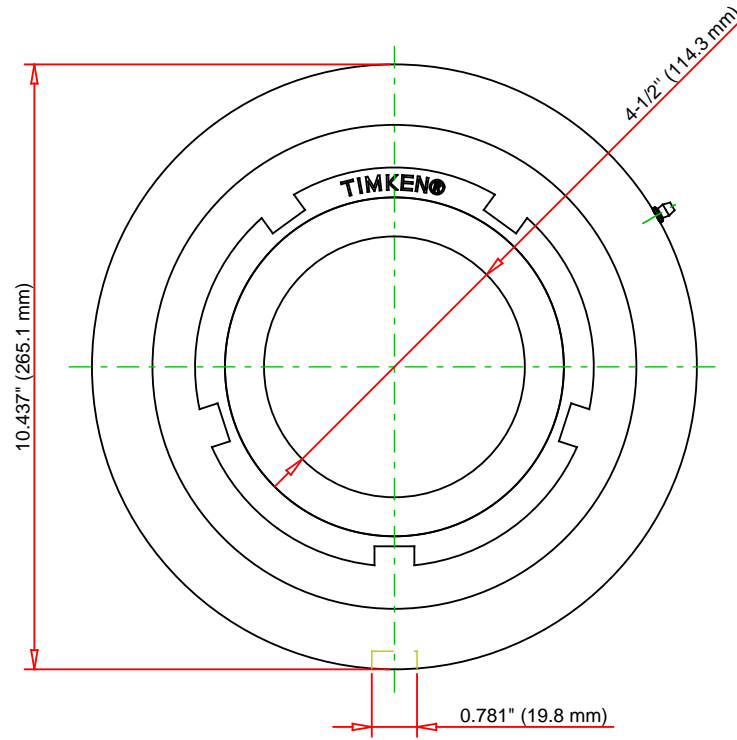
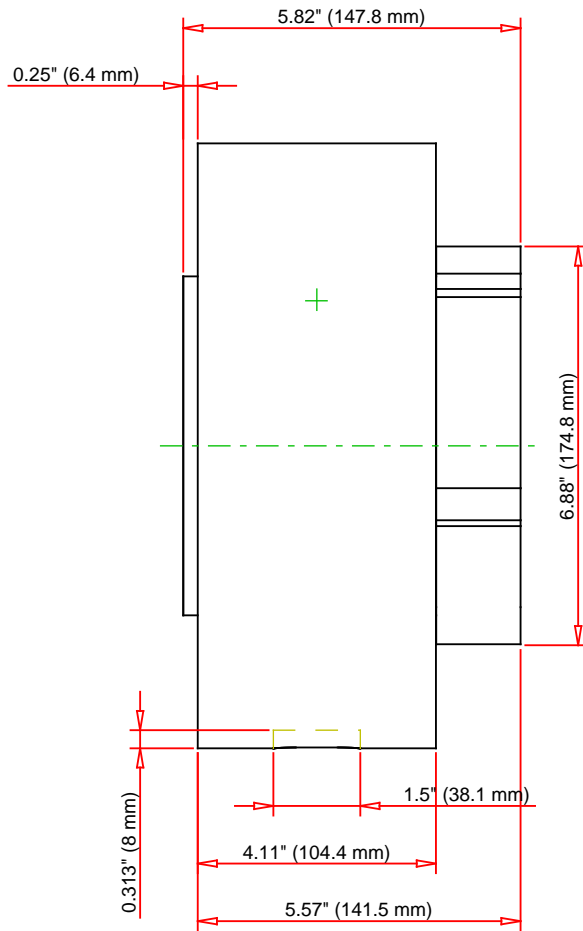
Engineering Bearing Attributes

Float	0.083 in 2.108 mm
--------------	----------------------

Shaft Tolerance	0.0050 in 0.127 mm
------------------------	-----------------------

Engineering Internal Radial Clearance

Eng Internal Radial Clearance - Min	0.0063
Eng Internal Radial Clearance - Max	0.0079
Pre Install Clearance Min	0.0053 in 0.135 mm
Pre Install Clearance Max	0.0067 in 0.170 mm



Note: Section View not to Scale

C - Dynamic Load	170000	lbf	757000	N
C0 - Static Load	212000	lbf	945000	N
Weight	52	lb	23.6	kg
Max. Speed T-Seals & Grease	1000	rpm		
Rad. Clearance - Max.	0.0079			

TIMKEN

THE TIMKEN COMPANY
NORTH CANTON, OHIO USA

QVMC26V408S
Single V-Lock Cartridge Block

Every reasonable effort has been made to ensure the accuracy of the information contained in this writing, but no liability is accepted for errors, omissions or for any other reason.

FOR DISCUSSION ONLY