



The Timken Company

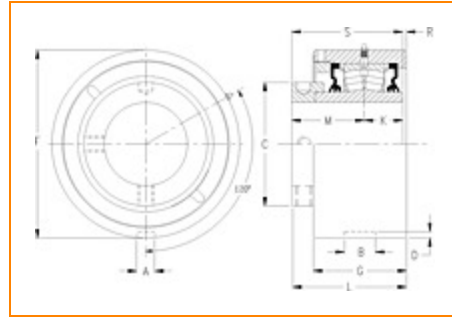
4500 Mt Pleasant St. NW

N. Canton, OH 44720

Phone: (234) 262-3000

E-Mail: CustomerCAD@timken.com • **Web site:** www.timken.com

Part Number QMMC13J207S, Eccentric Cartridge Block



[Specifications](#) | [Dimensions](#) | [Radial and Thrust Factors](#) | [Engineering Seal Speed](#) | [Engineering Bearing Attributes](#) | [Engineering Internal Radial Clearance](#)

Specifications

Engineering Group Mounted Bearing

Bearing Number 22213

Shaft Size 2 7/16 in

Shaft Size Type Imperial

Full Timken Part Number

- QMMC13J207SB
- QMMC13J207SC
- QMMC13J207SEB
- QMMC13J207SEC
- QMMC13J207SEM
- QMMC13J207SEN
- QMMC13J207SEO
- QMMC13J207SET
- QMMC13J207SM
- QMMC13J207SN
- QMMC13J207SO
- QMMC13J207ST



Locking Style	Eccentric
Housing Construction	Cartridge
UPC Code	0883450077125 0883450077132 0883450077156 0883450077163 0883450077170 0883450077187 0883450077194 0883450077200 0883450167871 0883450168557 0883450259675 0883450260152

Dimensions

Dimension A	0.53 in 13.5 mm
Dimension B	0.91 in 23.1 mm
Dimension C	3.62 in 91.9 mm
Dimension D	0.19 in 4.8 mm
Dimension F	5 in 127 mm
Dimension G	2.73 in 69.3 mm
Dimension K	1.24 in 31.5 mm
Dimension L Exp	3.45 in 87.6 mm

Dimension L Fix	3.37 in 85.6 mm
------------------------	--------------------

Dimension M	2.13 in 54.1 mm
--------------------	--------------------

Dimension R	0 in 0 mm
--------------------	--------------

Dimension S	3.37 in 85.6 mm
--------------------	--------------------

Radial and Thrust Factors

C0 - Static Load	48600 lbf 216000 N
-------------------------	-----------------------

C - Dynamic Load (Basic)	46400 lbf 206000 N
---------------------------------	-----------------------

e - Geometry Factor	0.24
----------------------------	------

Y1 - Geometry Factor	2.79
-----------------------------	------

Y2 - Geometry Factor	4.15
-----------------------------	------

Engineering Seal Speed

Oil Lubrication - M/N Seal	1800 rpm
-----------------------------------	----------

Oil Lubrication - T Seal	3200 rpm
---------------------------------	----------

Oil Lubrication - B/C/O Seal	1500 rpm
-------------------------------------	----------

Grease Lubrication - M/N Seal	1800 rpm
--------------------------------------	----------

Grease Lubrication - T Seal	2800 rpm
------------------------------------	----------

Grease Lubrication - B/C/O Seal	1500 rpm
--	----------

Engineering Bearing Attributes

Float	0.083 in 2.108 mm
--------------	----------------------

Shaft Tolerance	0.0015 in 0.038 mm
------------------------	-----------------------

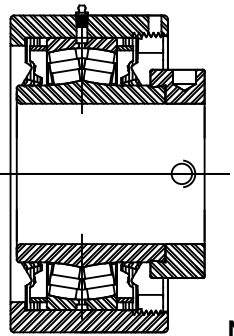
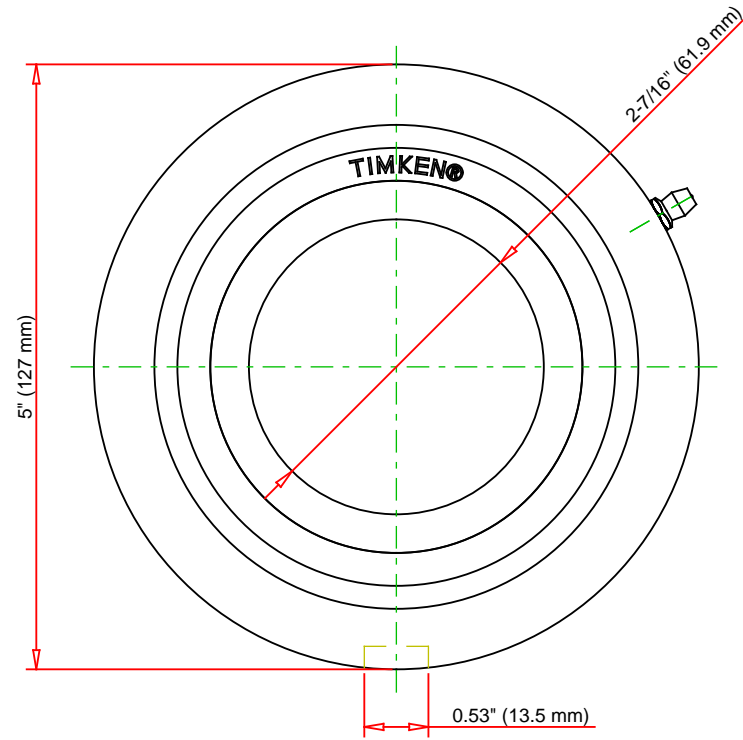
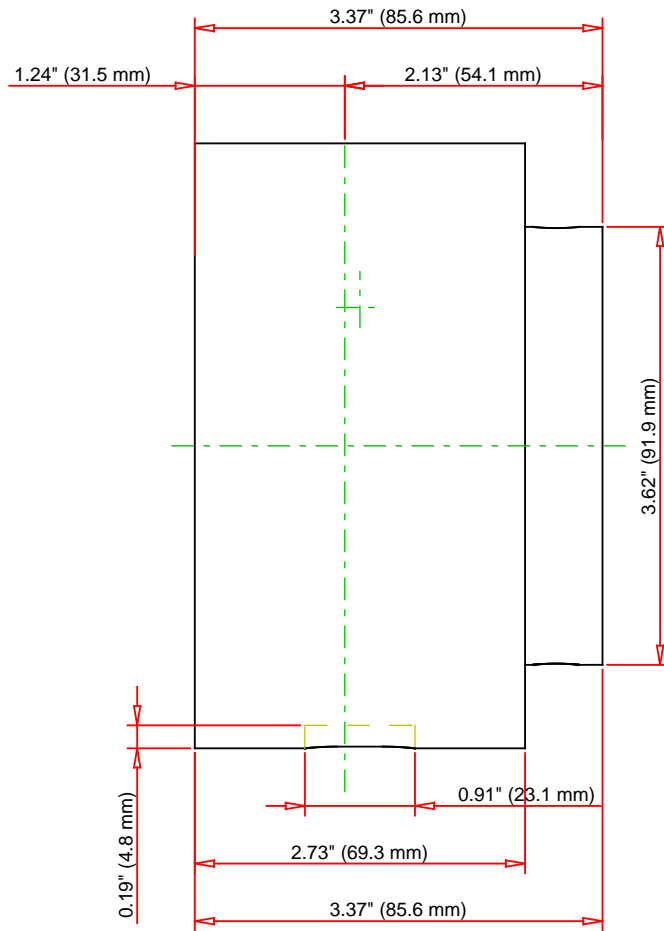
Engineering Internal Radial Clearance

Eng Internal Radial Clearance - Min	0.0016
--	--------

Eng Internal Radial Clearance - Max	0.0026
--	--------

Pre Install Clearance Min	0.0016 in 0.040 mm
----------------------------------	-----------------------

Pre Install Clearance Max	0.0026 in 0.065 mm
----------------------------------	-----------------------



Note: Section View not to Scale

C - Dynamic Load	46400	lbf	206000	N
C0 - Static Load	48600	lbf	216000	N
Weight	12	lb	5.4	kg
Max. Speed T-Seals & Grease	2800	rpm		
Rad. Clearance - Max.	0.0026			

TIMKEN

THE TIMKEN COMPANY
NORTH CANTON, OHIO USA

QMMC13J207S
Eccentric Cartridge Block

Every reasonable effort has been made to ensure the accuracy of the information contained in this writing, but no liability is accepted for errors, omissions or for any other reason.

FOR DISCUSSION ONLY