



The Timken Company

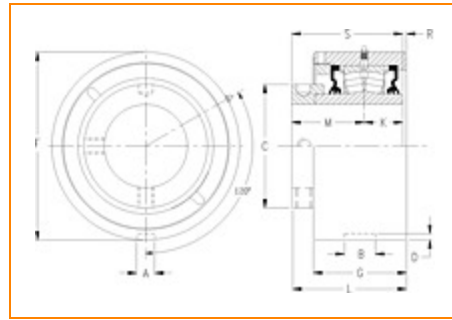
4500 Mt Pleasant St. NW

N. Canton, OH 44720

Phone: (234) 262-3000

E-Mail: CustomerCAD@timken.com • **Web site:** www.timken.com

Part Number QMMC10J115S, Eccentric Cartridge Block



[Specifications](#) | [Dimensions](#) | [Radial and Thrust Factors](#) | [Engineering Seal Speed](#) | [Engineering Bearing Attributes](#) | [Engineering Internal Radial Clearance](#)

Specifications

Engineering Group Mounted Bearing

Bearing Number 22210

Shaft Size 1 15/16 in

Shaft Size Type Imperial

Full Timken Part Number

- QMMC10J115SB
- QMMC10J115SC
- QMMC10J115SEB
- QMMC10J115SEC
- QMMC10J115SEM
- QMMC10J115SEN
- QMMC10J115SEO
- QMMC10J115SET
- QMMC10J115SM
- QMMC10J115SN
- QMMC10J115SO
- QMMC10J115ST



Locking Style	Eccentric
Housing Construction	Cartridge
UPC Code	0883450076623 0883450076630 0883450076654 0883450076661 0883450076678 0883450076685 0883450076692 0883450076708 0883450167826 0883450168502 0883450259606 0883450260084

Dimensions

Dimension A	0.53 in 13.5 mm
Dimension B	0.91 in 23.1 mm
Dimension C	2.76 in 70.1 mm
Dimension D	0.19 in 4.8 mm
Dimension F	4.1250 in 104.8 mm
Dimension G	2.45 in 62.2 mm
Dimension K	0.98 in 24.9 mm
Dimension L Exp	3.2 in 81.3 mm

Dimension L Fix	3.12 in 79.2 mm
------------------------	--------------------

Dimension M	1.89 in 48 mm
--------------------	------------------

Dimension R	0.24 in 6.1 mm
--------------------	-------------------

Dimension S	2.87 in 72.9 mm
--------------------	--------------------

Radial and Thrust Factors

C0 - Static Load	26600 lbf 118000 N
-------------------------	-----------------------

C - Dynamic Load (Basic)	26300 lbf 117000 N
---------------------------------	-----------------------

e - Geometry Factor	0.24
----------------------------	------

Y1 - Geometry Factor	2.84
-----------------------------	------

Y2 - Geometry Factor	4.23
-----------------------------	------

Engineering Seal Speed

Oil Lubrication - M/N Seal	2400 rpm
-----------------------------------	----------

Oil Lubrication - T Seal	4200 rpm
---------------------------------	----------

Oil Lubrication - B/C/O Seal	1800 rpm
-------------------------------------	----------

Grease Lubrication - M/N Seal	2400 rpm
--------------------------------------	----------

Grease Lubrication - T Seal	3550 rpm
------------------------------------	----------

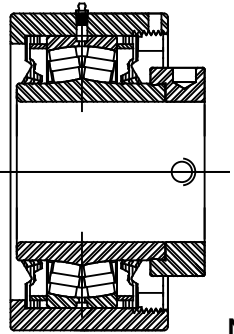
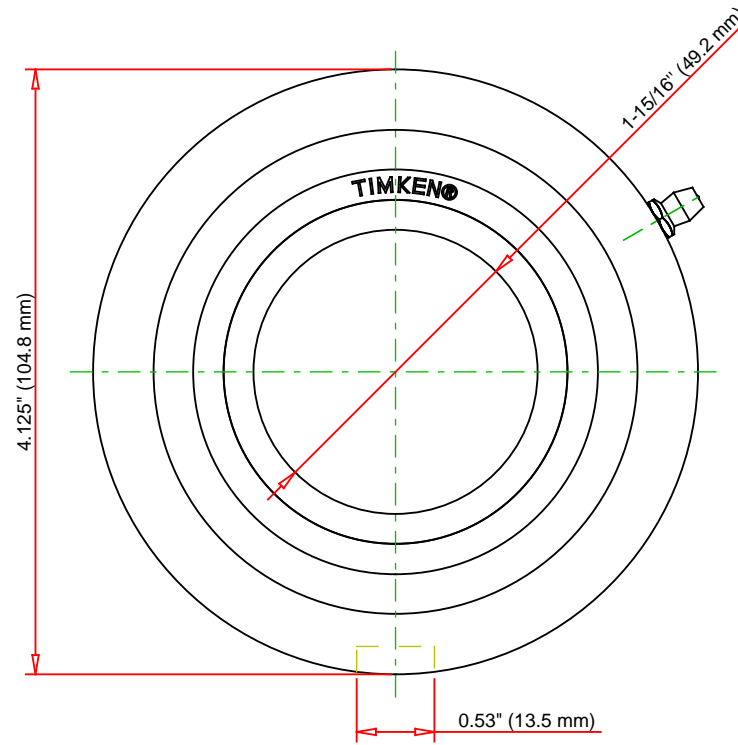
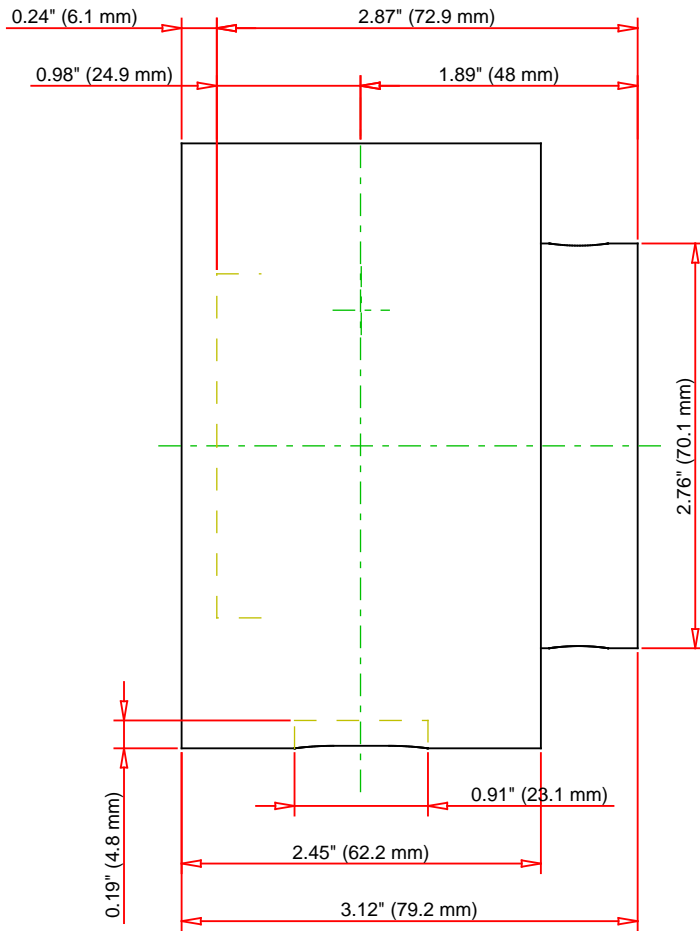
Grease Lubrication - B/C/O Seal	1800 rpm
--	----------

Engineering Bearing Attributes

Float	0.050 in 1.270 mm
Shaft Tolerance	0.0015 in 0.038 mm

Engineering Internal Radial Clearance

Eng Internal Radial Clearance - Min	0.0014
Eng Internal Radial Clearance - Max	0.0022
Pre Install Clearance Min	0.0016 in 0.040 mm
Pre Install Clearance Max	0.0026 in 0.065 mm



Note: Section View not to Scale

C - Dynamic Load	26300	lbf	117000	N
C0 - Static Load	26600	lbf	118000	N
Weight	8	lb	3.6	kg
Max. Speed T-Seals & Grease	3550	rpm		
Rad. Clearance - Max.	0.0022			

TIMKEN

THE TIMKEN COMPANY
NORTH CANTON, OHIO USA

QMMC10J115S
Eccentric Cartridge Block

Every reasonable effort has been made to ensure the accuracy of the information contained in this writing, but no liability is accepted for errors, omissions or for any other reason.

FOR DISCUSSION ONLY