


**The Timken Company**

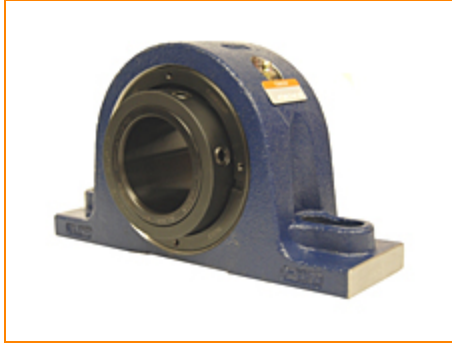
4500 Mt Pleasant St. NW

N. Canton, OH 44720

**Phone:** (234) 262-3000

**E-Mail:** [CustomerCAD@timken.com](mailto:CustomerCAD@timken.com) • **Web site:** [www.timken.com](http://www.timken.com)

## Part Number QASN13A065S, Single Concentric Two-Bolt Pillow Block



[Specifications](#) | [Dimensions](#) | [Radial and Thrust Factors](#) | [Engineering Seal Speed](#) | [Engineering Bearing Attributes](#) | [Engineering Internal Radial Clearance](#)

## Specifications

**Engineering Group** Mounted Bearing

**Bearing Number** 22213

**Shaft Size** 65 mm

**Shaft Size Type** Metric

**Full Timken Part Number**  
 QASN13A065SB  
 QASN13A065SC  
 QASN13A065SEB  
 QASN13A065SEC  
 QASN13A065SEM  
 QASN13A065SEN  
 QASN13A065SEO  
 QASN13A065SET  
 QASN13A065SM  
 QASN13A065SN  
 QASN13A065SO



QASN13A065ST

**Locking Style**

Single Concentric

**Housing Construction**

Two-Bolt Pillow Block

**UPC Code**

0883450353564  
 0883450353571  
 0883450353588  
 0883450353595  
 0883450353601  
 0883450353618  
 0883450353625  
 0883450353632  
 0883450353649  
 0883450353656  
 0883450353663  
 0883450353670

**Dimensions****Dimension A**

3.15 in  
 80 mm

**Dimension B**

6.18 in  
 157 mm

**Dimension C**

3.81 in  
 96.8 mm

**Dimension D Min**

7.72 in  
 196 mm

**Dimension D Max**

9.25 in  
 235 mm

**Dimension F**

10.83 in  
 275 mm

**Dimension G**

2.91 in  
 74 mm

**Dimension H**

1.38 in  
 35 mm

|                                |                   |
|--------------------------------|-------------------|
| <b>Dimension J (Bolt Size)</b> | 0.625 in<br>16 mm |
|--------------------------------|-------------------|

|                     |                  |
|---------------------|------------------|
| <b>Dimension KA</b> | 1.22 in<br>31 mm |
|---------------------|------------------|

|                    |                  |
|--------------------|------------------|
| <b>Dimension L</b> | 3.62 in<br>92 mm |
|--------------------|------------------|

|                    |                  |
|--------------------|------------------|
| <b>Dimension M</b> | 2.17 in<br>55 mm |
|--------------------|------------------|

|                     |                 |
|---------------------|-----------------|
| <b>Dimension RA</b> | 0.24 in<br>6 mm |
|---------------------|-----------------|

|                     |                  |
|---------------------|------------------|
| <b>Dimension SA</b> | 3.39 in<br>86 mm |
|---------------------|------------------|

## Radial and Thrust Factors

|                         |                       |
|-------------------------|-----------------------|
| <b>C0 - Static Load</b> | 48600 lbf<br>216000 N |
|-------------------------|-----------------------|

|                                 |                       |
|---------------------------------|-----------------------|
| <b>C - Dynamic Load (Basic)</b> | 46400 lbf<br>206000 N |
|---------------------------------|-----------------------|

|                            |      |
|----------------------------|------|
| <b>e - Geometry Factor</b> | 0.24 |
|----------------------------|------|

|                             |      |
|-----------------------------|------|
| <b>Y1 - Geometry Factor</b> | 2.79 |
|-----------------------------|------|

|                             |      |
|-----------------------------|------|
| <b>Y2 - Geometry Factor</b> | 4.15 |
|-----------------------------|------|

## Engineering Seal Speed

|                                   |          |
|-----------------------------------|----------|
| <b>Oil Lubrication - M/N Seal</b> | 1800 rpm |
|-----------------------------------|----------|

|                                 |          |
|---------------------------------|----------|
| <b>Oil Lubrication - T Seal</b> | 3200 rpm |
|---------------------------------|----------|

|                                     |          |
|-------------------------------------|----------|
| <b>Oil Lubrication - B/C/O Seal</b> | 1500 rpm |
|-------------------------------------|----------|

|                                      |          |
|--------------------------------------|----------|
| <b>Grease Lubrication - M/N Seal</b> | 1800 rpm |
|--------------------------------------|----------|

|                                    |          |
|------------------------------------|----------|
| <b>Grease Lubrication - T Seal</b> | 2800 rpm |
|------------------------------------|----------|

|  |          |
|--|----------|
| <b>Grease Lubrication - B/C/O Seal</b> | 1500 rpm |
|--|----------|

### Engineering Bearing Attributes

|              |                      |
|--------------|----------------------|
| <b>Float</b> | 0.083 in<br>2.108 mm |
|--------------|----------------------|

|                        |                       |
|------------------------|-----------------------|
| <b>Shaft Tolerance</b> | 0.0015 in<br>0.038 mm |
|------------------------|-----------------------|

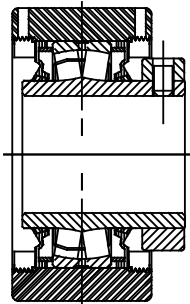
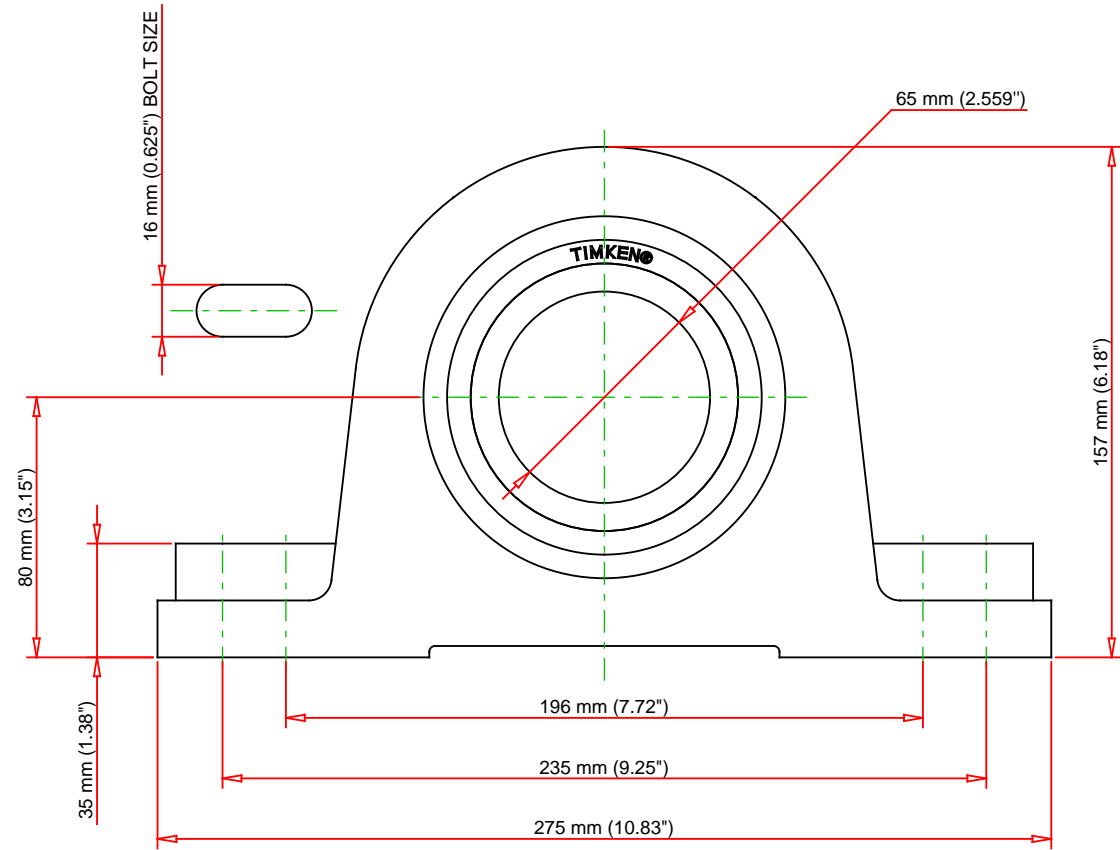
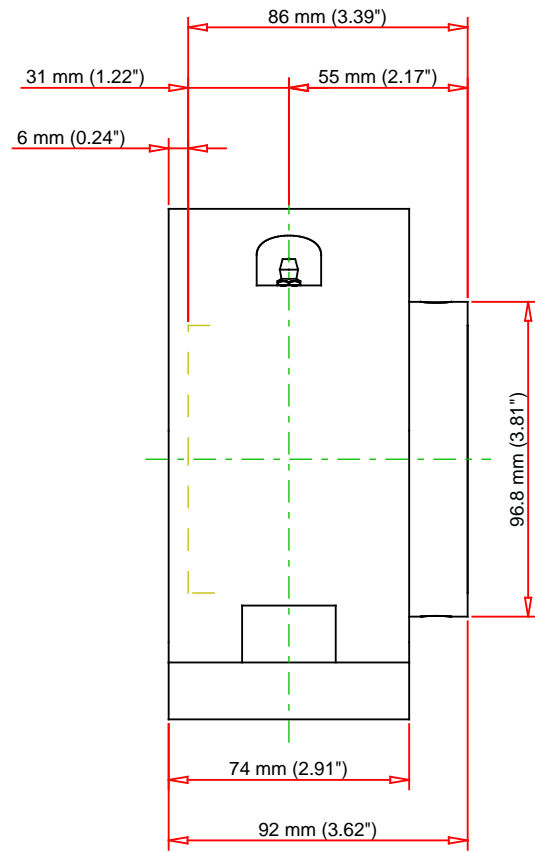
### Engineering Internal Radial Clearance

|  |        |
|--|--------|
| <b>Eng Internal Radial Clearance - Min</b> | 0.0016 |
|--|--------|

|  |        |
|--|--------|
| <b>Eng Internal Radial Clearance - Max</b> | 0.0026 |
|--|--------|

|                                  |                       |
|----------------------------------|-----------------------|
| <b>Pre Install Clearance Min</b> | 0.0016 in<br>0.040 mm |
|----------------------------------|-----------------------|

|                                  |                       |
|----------------------------------|-----------------------|
| <b>Pre Install Clearance Max</b> | 0.0026 in<br>0.065 mm |
|----------------------------------|-----------------------|



Note: Section View not to Scale

|                             |        |     |        |    |
|-----------------------------|--------|-----|--------|----|
| C - Dynamic Load            | 46400  | lbf | 206000 | N  |
| C0 - Static Load            | 48600  | lbf | 216000 | N  |
| Weight                      | 15.9   | lb  | 35     | kg |
| Max. Speed T-Seals & Grease | 2800   | rpm |        |    |
| Rad. Clearance - Max.       | 0.0026 |     |        |    |

**TIMKEN**

THE TIMKEN COMPANY  
NORTH CANTON, OHIO USA

**QASN13A065S**

Single Concentric Two-Bolt Pillow  
Block

Every reasonable effort has been made to ensure the accuracy of the information contained in this writing, but no liability is accepted for errors, omissions or for any other reason.

**FOR DISCUSSION ONLY**