



**The Timken Company**

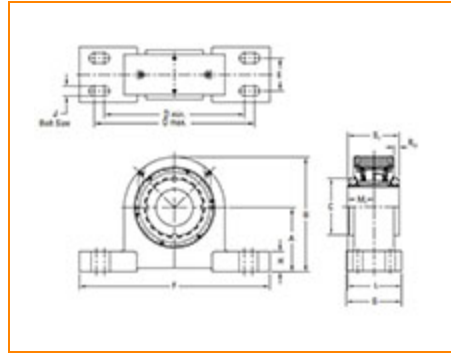
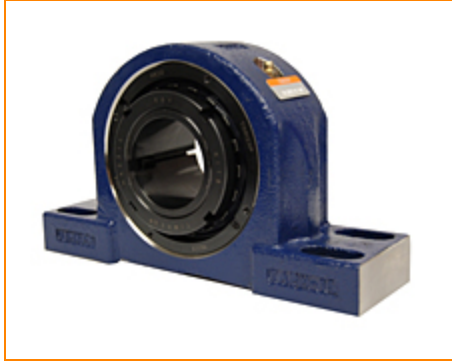
4500 Mt Pleasant St. NW

N. Canton, OH 44720

**Phone:** (234) 262-3000

**E-Mail:** [CustomerCAD@timken.com](mailto:CustomerCAD@timken.com) • **Web site:** [www.timken.com](http://www.timken.com)

## Part Number TAA4SD34K515S, Double Nut Tapered Adapter Four-Bolt Pillow Block



[Specifications](#) | [Dimensions](#) | [Radial and Thrust Factors](#) | [Engineering Bearing Attributes](#)

### Specifications

**Engineering Group** Mounted Bearing

**Bearing Number** 23134

**Shaft Size** 5 15/16 in

**Shaft Size Type** Imperial

**Full Timken Part Number**

- TAA4SD34K515SB
- TAA4SD34K515SC
- TAA4SD34K515SEB
- TAA4SD34K515SEC
- TAA4SD34K515SEM
- TAA4SD34K515SEN
- TAA4SD34K515SEO
- TAA4SD34K515SET
- TAA4SD34K515SMT
- TAA4SD34K515SNT
- TAA4SD34K515SO
- TAA4SD34K515ST



**Locking Style**

Double Nut Tapered Adapter

**Housing Construction**

Four-Bolt Pillow Block

**Dimensions**

<b>Dimension A</b>	9 in 228.6 mm
<b>Dimension B</b>	15.75 in 400.1 mm
<b>Dimension C</b>	8.66 in 220 mm
<b>Dimension D Min</b>	21.38 in 543.1 mm
<b>Dimension D Max</b>	23.63 in 600.2 mm
<b>Dimension E</b>	5 in 127 mm
<b>Dimension F</b>	26-3/4 in 679.5 mm
<b>Dimension G</b>	7.51 in 190.8 mm
<b>Dimension H</b>	2.5 in 63.5 mm
<b>Dimension J (Bolt Size)</b>	1.125 in 24 mm
<b>Dimension L</b>	7.49 in 190.1 mm
<b>Dimension MT</b>	3.73 in 94.7 mm
<b>Dimension RTT</b>	0.59 in 15 mm

**Dimension ST**7.38 in  
187.5 mm**Radial and Thrust Factors****C0 - Static Load**384000 lbf  
1710000 N**C - Dynamic Load (Basic)**274000 lbf  
1220000 N**e - Geometry Factor**

0.28

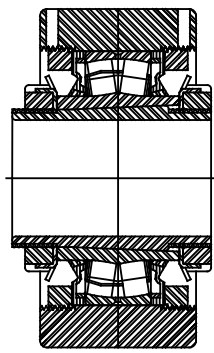
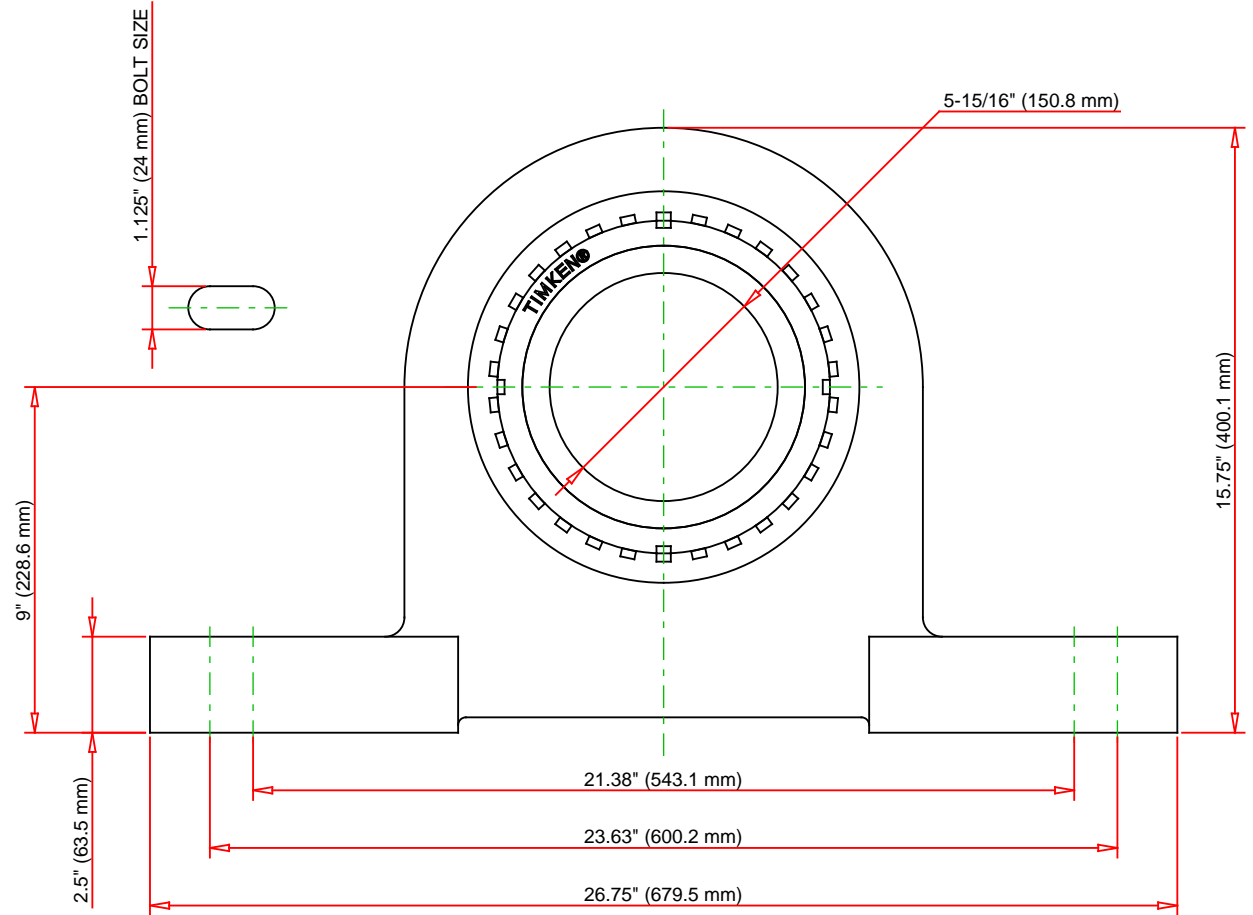
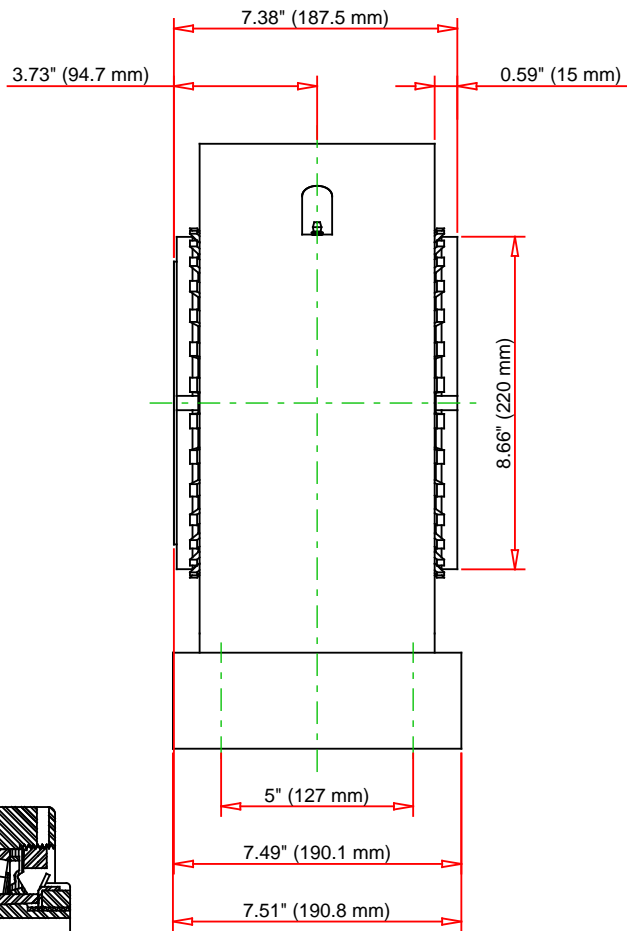
**Y1 - Geometry Factor**

2.39

**Y2 - Geometry Factor**

3.55

**Engineering Bearing Attributes****Float**0.083 in  
2.108 mm



Note: Section View not to Scale

C - Dynamic Load	274000	lbf	1220000	N
C0 - Static Load	384000	lbf	1710000	N
Weight	332	lb	151	kg
Max. Speed T-Seals & Grease	rpm			
Rad. Clearance - Max.				

**TIMKEN**  
THE TIMKEN COMPANY  
NORTH CANTON, OHIO USA

**TAA4SD34K515S**  
Double Nut Tapered Adapter Four-Bolt  
Pillow Block

Every reasonable effort has been made to ensure the accuracy of the information contained in this writing, but no liability is accepted for errors, omissions or for any other reason.

**FOR DISCUSSION ONLY**