



The Timken Company

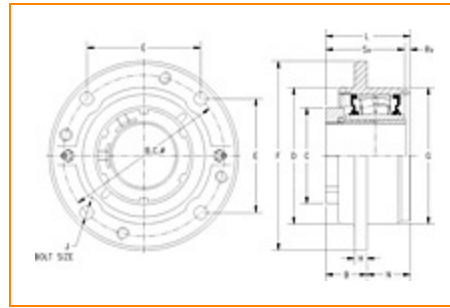
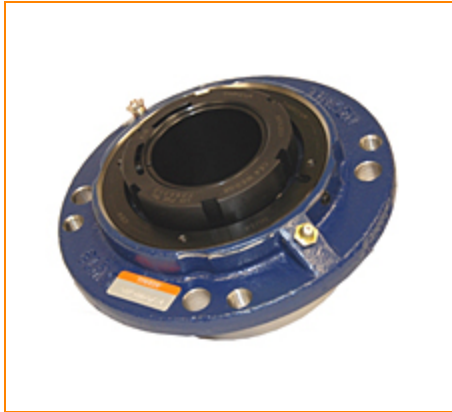
4500 Mt Pleasant St. NW

N. Canton, OH 44720

Phone: (234) 262-3000

E-Mail: CustomerCAD@timken.com • **Web site:** www.timken.com

Part Number QVCW19V303S, Single V-Lock Piloted Flange Cartridge



[Specifications](#) | [Dimensions](#) | [Radial and Thrust Factors](#) | [Engineering Seal Speed](#) | [Engineering Bearing Attributes](#) | [Engineering Internal Radial Clearance](#)

Specifications

Engineering Group Mounted Bearing

Bearing Number 22219

Shaft Size 3 3/16 in

Shaft Size Type Imperial

Full Timken Part Number

- QVCW19V303SB
- QVCW19V303SC
- QVCW19V303SEB
- QVCW19V303SEC
- QVCW19V303SEM
- QVCW19V303SEN
- QVCW19V303SEO
- QVCW19V303SET
- QVCW19V303SM
- QVCW19V303SN
- QVCW19V303SO
- QVCW19V303ST



Locking Style	Single V-Lock
Housing Construction	Piloted Flange Cartridge

UPC Code	0883450038690
	0883450062640
	0883450106634
	0883450106672
	0883450186025
	0883450213813
	0883450214193
	0883450226233
	0883450226615
	0883450238656
0883450239035	
0883450295574	

Dimensions

Dimension BC 8.63 in
219.2 mm

Dimension C 4.9 in
124.5 mm

Dimension D 7.38 in
187.5 mm

Dimension E 6.1 in
154.9 mm

Dimension B Exp 2.04 in
51.8 mm

Dimension B Fix 1.96 in
49.8 mm

Dimension F 10-1/4 in
260.4 mm

Dimension H 0.88 in
22.4 mm

Dimension J (Bolt Size)	0.75 in 20 mm
Dimension L	3.84 in 97.5 mm
Dimension RV	0.15 in 3.8 mm
Dimension SV	3.69 in 93.7 mm
Dimension G	7.375 in 187.3 mm
Dimension N	1.88 in 47.8 mm

Radial and Thrust Factors

C0 - Static Load	99000 lbf 441000 N
C - Dynamic Load (Basic)	86600 lbf 385000 N
e - Geometry Factor	0.23
Y1 - Geometry Factor	2.88
Y2 - Geometry Factor	4.29

Engineering Seal Speed

Oil Lubrication - M/N Seal	1300 rpm
Oil Lubrication - T Seal	2200 rpm
Oil Lubrication - B/C/O Seal	1000 rpm
Grease Lubrication - M/N Seal	1300 rpm

Grease Lubrication - T Seal	1800 rpm
------------------------------------	----------

Grease Lubrication - B/C/O Seal	950 rpm
--	---------

Engineering Bearing Attributes

Float	0.083 in 2.108 mm
--------------	----------------------

Shaft Tolerance	0.0030 in 0.076 mm
------------------------	-----------------------

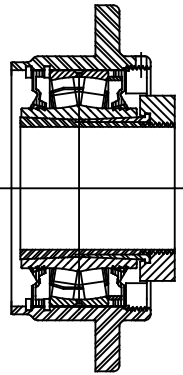
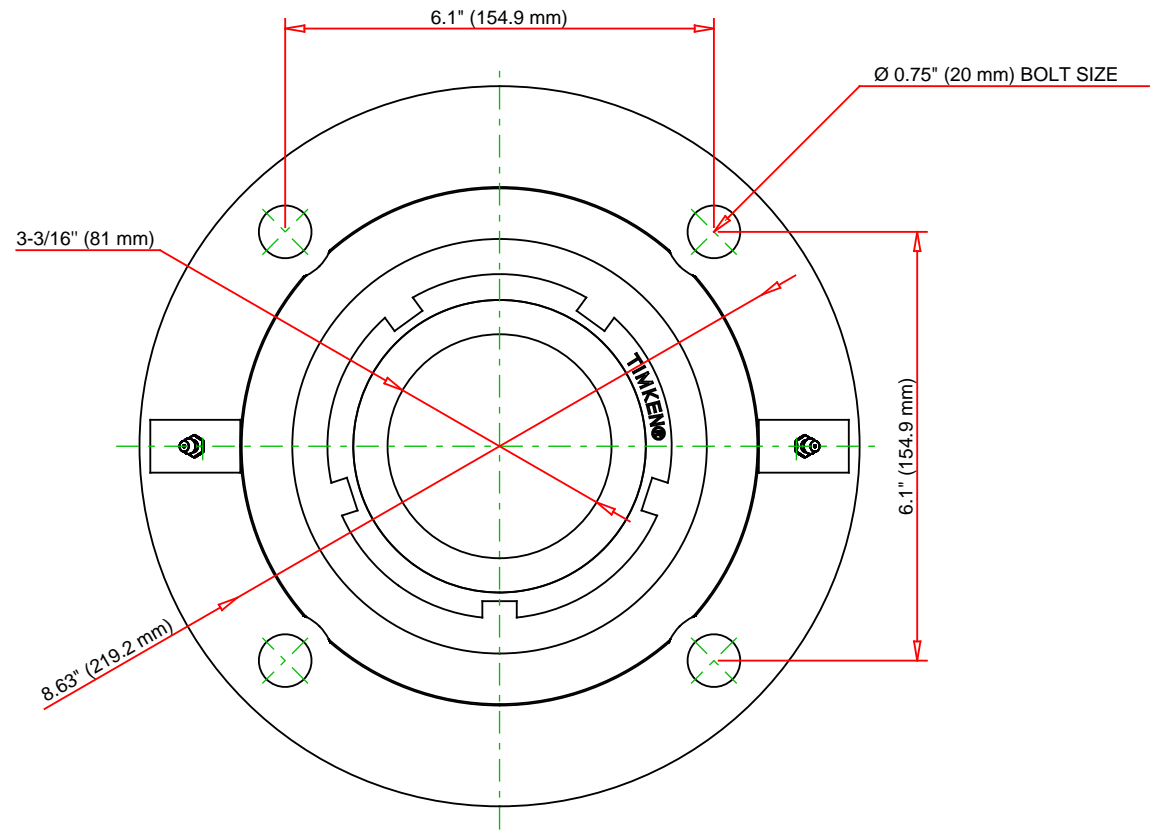
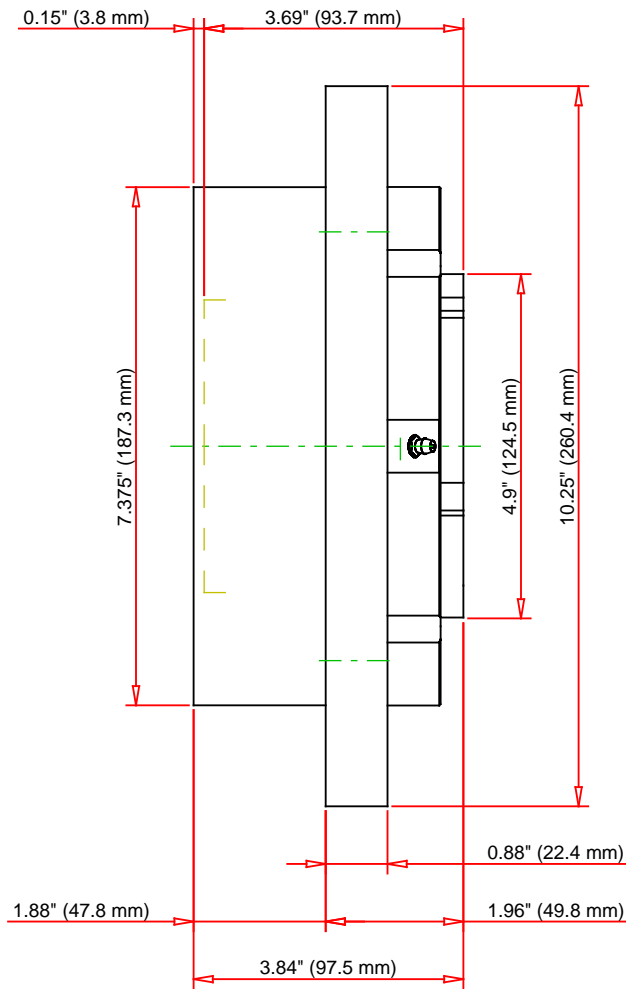
Engineering Internal Radial Clearance

Eng Internal Radial Clearance - Min	0.0043
--	--------

Eng Internal Radial Clearance - Max	0.0055
--	--------

Pre Install Clearance Min	0.0043 in 0.110 mm
----------------------------------	-----------------------

Pre Install Clearance Max	0.0055 in 0.140 mm
----------------------------------	-----------------------



Note: Section View not to Scale

C - Dynamic Load	86600	lbf	385000	N
C0 - Static Load	99000	lbf	441000	N
Weight	32	lb	14.5	kg
Max. Speed T-Seals & Grease	1800	rpm		
Rad. Clearance - Max.	0.0055			

TIMKEN

THE TIMKEN COMPANY
NORTH CANTON, OHIO USA

QVCW19V303S

Single V-Lock Piloted Flange Cartridge

Every reasonable effort has been made to ensure the accuracy of the information contained in this writing, but no liability is accepted for errors, omissions or for any other reason.

FOR DISCUSSION ONLY