



**The Timken Company**

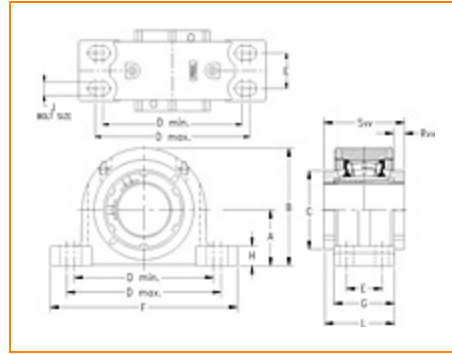
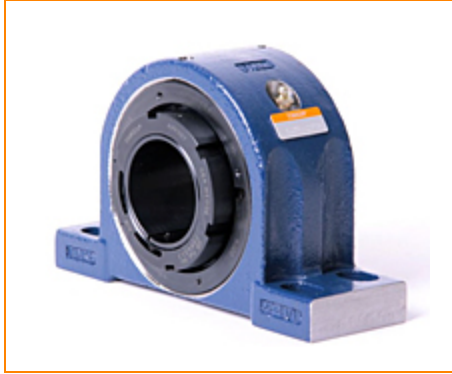
4500 Mt Pleasant St. NW

N. Canton, OH 44720

**Phone:** (234) 262-3000

**E-Mail:** [CustomerCAD@timken.com](mailto:CustomerCAD@timken.com) • **Web site:** [www.timken.com](http://www.timken.com)

## Part Number QVVPR19V303S, Double V-Lock Four-Bolt Pillow Block



[Specifications](#) | [Dimensions](#) | [Radial and Thrust Factors](#) | [Engineering Seal Speed](#) | [Engineering Bearing Attributes](#) | [Engineering Internal Radial Clearance](#)

### Specifications

**Engineering Group** Mounted Bearing

**Bearing Number** 22219

**Shaft Size** 3 3/16 in

**Shaft Size Type** Imperial

**Full Timken Part Number**

- QVVPR19V303SB
- QVVPR19V303SC
- QVVPR19V303SEB
- QVVPR19V303SEC
- QVVPR19V303SEM
- QVVPR19V303SEN
- QVVPR19V303SEO
- QVVPR19V303SET
- QVVPR19V303SM
- QVVPR19V303SN
- QVVPR19V303SO
- QVVPR19V303ST



<b>Locking Style</b>	Double V-Lock
<b>Housing Construction</b>	Four-Bolt Pillow Block
<b>UPC Code</b>	0883450081313 0883450081344 0883450081412 0883450175753 0883450175944 0883450176132 0883450204590 0883450204910 0883450217019 0883450217330 0883450229432 0883450229753

## Dimensions

<b>Dimension A</b>	3-3/4 in 95.3 mm
<b>Dimension B</b>	7.69 in 195.3 mm
<b>Dimension C</b>	4.9 in 124.5 mm
<b>Dimension D Min</b>	9.25 in 235 mm
<b>Dimension D Max</b>	11.25 in 285.8 mm
<b>Dimension E</b>	2.38 in 60.5 mm
<b>Dimension F</b>	13.63 in 346.2 mm
<b>Dimension G</b>	3.75 in 95.3 mm

<b>Dimension H</b>	1.56 in 39.6 mm
<b>Dimension J (Bolt Size)</b>	0.75 in 20 mm
<b>Dimension L</b>	4.19 in 106.4 mm
<b>Dimension RVV</b>	0.57 in 14.5 mm
<b>Dimension SVV</b>	4.63 in 117.6 mm

### Radial and Thrust Factors

<b>C0 - Static Load</b>	99000 lbf 441000 N
<b>C - Dynamic Load (Basic)</b>	86600 lbf 385000 N
<b>e - Geometry Factor</b>	0.23
<b>Y1 - Geometry Factor</b>	2.88
<b>Y2 - Geometry Factor</b>	4.29

### Engineering Seal Speed

<b>Oil Lubrication - M/N Seal</b>	1300 rpm
<b>Oil Lubrication - T Seal</b>	2200 rpm
<b>Oil Lubrication - B/C/O Seal</b>	1000 rpm
<b>Grease Lubrication - M/N Seal</b>	1300 rpm
<b>Grease Lubrication - T Seal</b>	1800 rpm
<b>Grease Lubrication - B/C/O Seal</b>	950 rpm

## Engineering Bearing Attributes

<b>Float</b>	0.083 in 2.108 mm
--------------	----------------------

<b>Shaft Tolerance</b>	0.0030 in 0.076 mm
------------------------	-----------------------

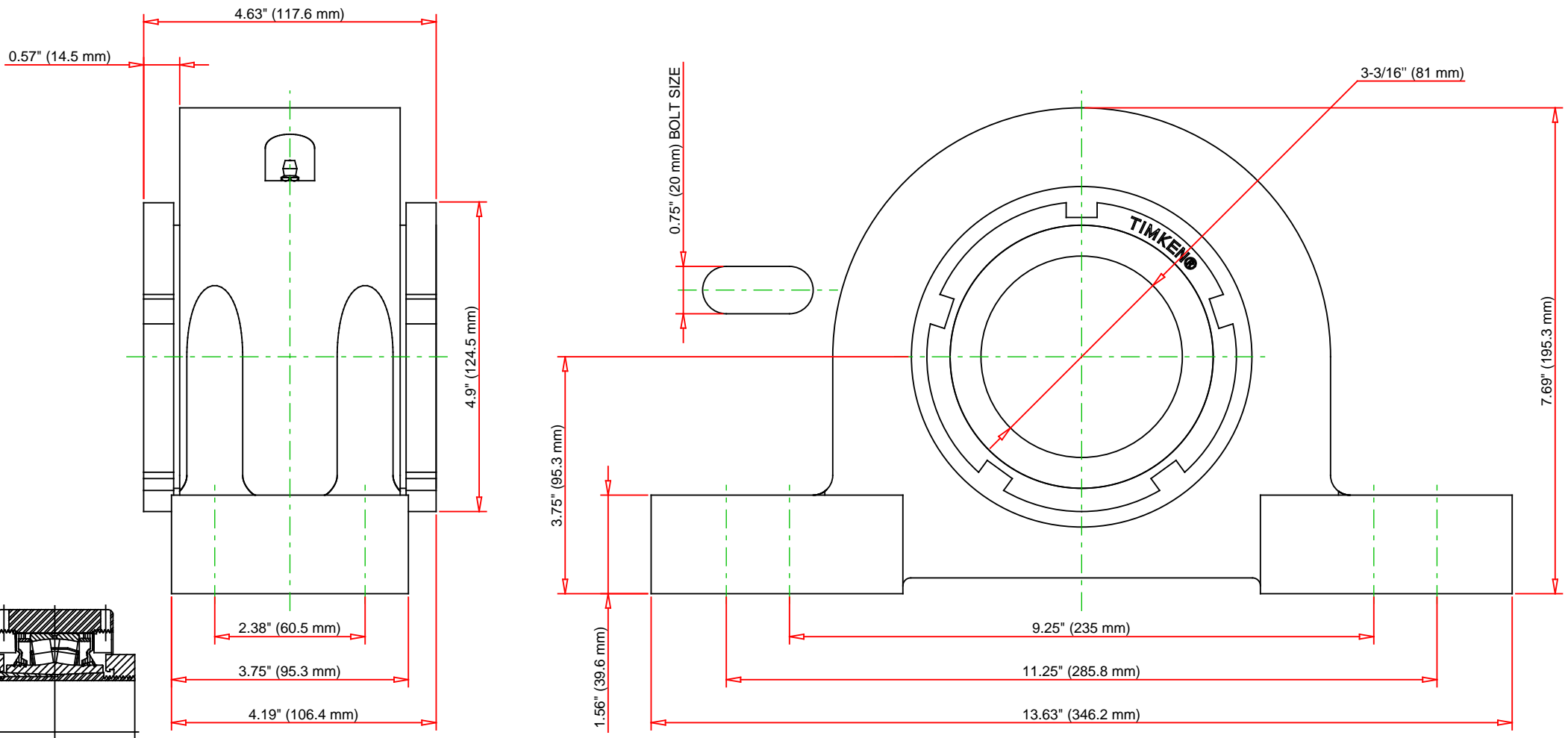
## Engineering Internal Radial Clearance

<b>Eng Internal Radial Clearance - Min</b>	0.0043
--	--------

<b>Eng Internal Radial Clearance - Max</b>	0.0055
--	--------

<b>Pre Install Clearance Min</b>	0.0043 in 0.110 mm
----------------------------------	-----------------------

<b>Pre Install Clearance Max</b>	0.0055 in 0.140 mm
----------------------------------	-----------------------



Note: Section View not to Scale

C - Dynamic Load	86600	lbf	385000	N
C0 - Static Load	99000	lbf	441000	N
Weight	49	lb	22.2	kg
Max. Speed T-Seals & Grease	1800	rpm		
Rad. Clearance - Max.	0.0055			

**TIMKEN**  
 THE TIMKEN COMPANY  
 NORTH CANTON, OHIO USA

**QVVPR19V303S**  
 Double V-Lock Four-Bolt Pillow Block

Every reasonable effort has been made to ensure the accuracy of the information contained in this writing, but no liability is accepted for errors, omissions or for any other reason.

**FOR DISCUSSION ONLY**