



**The Timken Company**

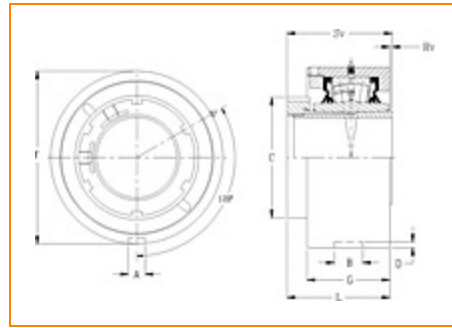
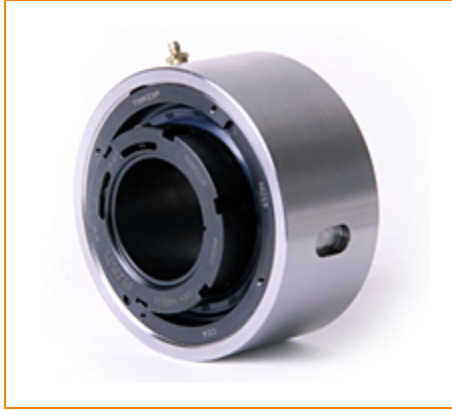
4500 Mt Pleasant St. NW

N. Canton, OH 44720

**Phone:** (234) 262-3000

**E-Mail:** [CustomerCAD@timken.com](mailto:CustomerCAD@timken.com) • **Web site:** [www.timken.com](http://www.timken.com)

## Part Number QVMC11V115S, Single V-Lock Cartridge Block



[Specifications](#) | [Dimensions](#) | [Radial and Thrust Factors](#) | [Engineering Seal Speed](#) | [Engineering Bearing Attributes](#) | [Engineering Internal Radial Clearance](#)

### Specifications

**Engineering Group** Mounted Bearing

**Bearing Number** 22211

**Shaft Size** 1 15/16 in

**Shaft Size Type** Imperial

**Full Timken Part Number**

- QVMC11V115SB
- QVMC11V115SC
- QVMC11V115SEB
- QVMC11V115SEC
- QVMC11V115SEM
- QVMC11V115SEN
- QVMC11V115SEO
- QVMC11V115SET
- QVMC11V115SM
- QVMC11V115SN
- QVMC11V115SO
- QVMC11V115ST



<b>Locking Style</b>	Single V-Lock
<b>Housing Construction</b>	Cartridge
<b>UPC Code</b>	0883450150583 0883450150736 0883450158312 0883450158602 0883450179799 0883450179942 0883450189255 0883450190565 0883450280525 0883450280679 0883450284721 0883450284875

## Dimensions

<b>Dimension A</b>	0.53 in 13.5 mm
<b>Dimension B</b>	0.906 in 23 mm
<b>Dimension C</b>	2.99 in 75.9 mm
<b>Dimension D</b>	0.188 in 4.8 mm
<b>Dimension F</b>	4.531 in 115.1 mm
<b>Dimension G</b>	2.18 in 55.4 mm
<b>Dimension L Exp</b>	3.19 in 81 mm
<b>Dimension L Fix</b>	3.11 in 79 mm

<b>Dimension RV</b>	0.03 in 0.8 mm
---------------------	-------------------

<b>Dimension SV</b>	3.14 in 79.8 mm
---------------------	--------------------

## Radial and Thrust Factors

<b>C0 - Static Load</b>	31900 lbf 142000 N
-------------------------	-----------------------

<b>C - Dynamic Load (Basic)</b>	31400 lbf 140000 N
---------------------------------	-----------------------

<b>e - Geometry Factor</b>	0.23
----------------------------	------

<b>Y1 - Geometry Factor</b>	2.95
-----------------------------	------

<b>Y2 - Geometry Factor</b>	4.40
-----------------------------	------

## Engineering Seal Speed

<b>Oil Lubrication - M/N Seal</b>	2200 rpm
-----------------------------------	----------

<b>Oil Lubrication - T Seal</b>	3800 rpm
---------------------------------	----------

<b>Oil Lubrication - B/C/O Seal</b>	1800 rpm
-------------------------------------	----------

<b>Grease Lubrication - M/N Seal</b>	2200 rpm
--------------------------------------	----------

<b>Grease Lubrication - T Seal</b>	3200 rpm
------------------------------------	----------

<b>Grease Lubrication - B/C/O Seal</b>	1600 rpm
--	----------

## Engineering Bearing Attributes

<b>Float</b>	0.050 in 1.270 mm
--------------	----------------------

<b>Shaft Tolerance</b>	0.0015 in 0.038 mm
------------------------	-----------------------

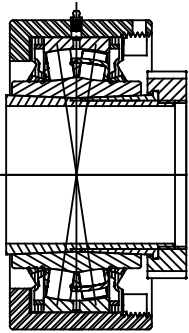
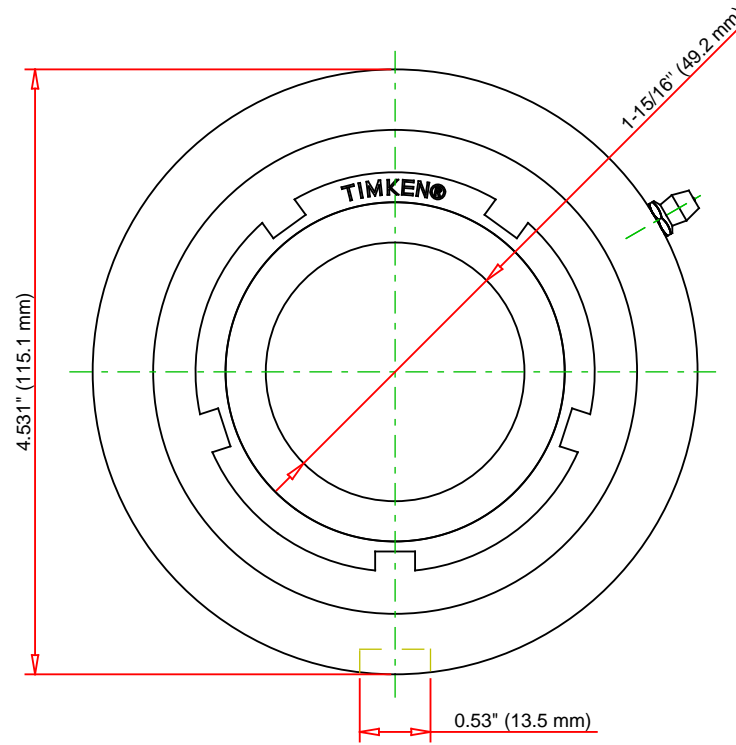
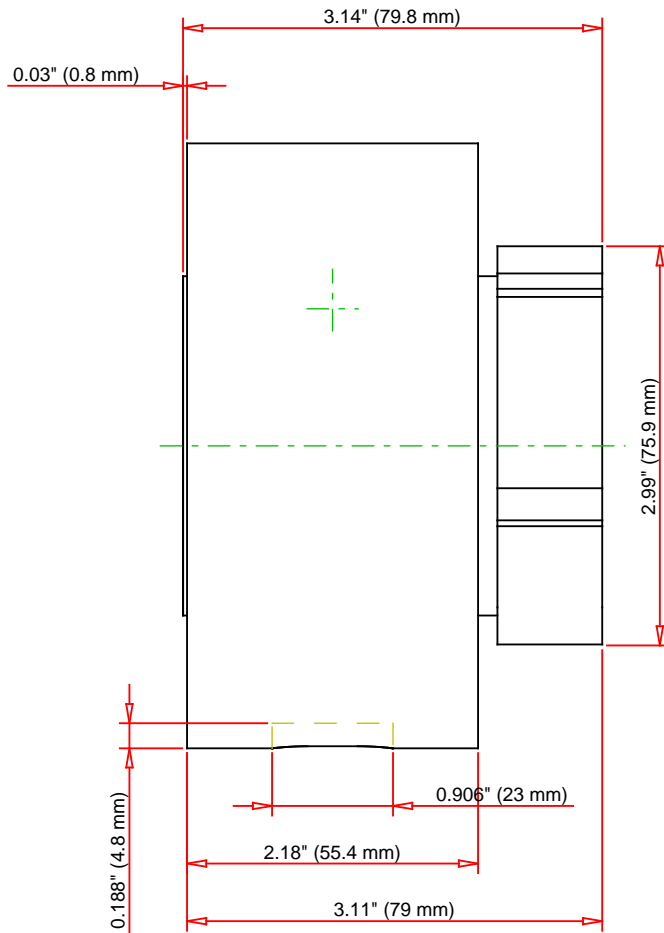
## Engineering Internal Radial Clearance

<b>Eng Internal Radial Clearance - Min</b>	0.0030
--	--------

<b>Eng Internal Radial Clearance - Max</b>	0.0037
--	--------

<b>Pre Install Clearance Min</b>	0.0030 in 0.075 mm
----------------------------------	-----------------------

<b>Pre Install Clearance Max</b>	0.0037 in 0.094 mm
----------------------------------	-----------------------



Note: Section View not to Scale

C - Dynamic Load	31400	lbf	140000	N
C0 - Static Load	31900	lbf	142000	N
Weight	10	lb	4.5	kg
Max. Speed T-Seals & Grease	3200	rpm		
Rad. Clearance - Max.	0.0037			

**TIMKEN**

THE TIMKEN COMPANY  
NORTH CANTON, OHIO USA

**QVMC11V115S**  
Single V-Lock Cartridge Block

Every reasonable effort has been made to ensure the accuracy of the information contained in this writing, but no liability is accepted for errors, omissions or for any other reason.

**FOR DISCUSSION ONLY**