



The Timken Company

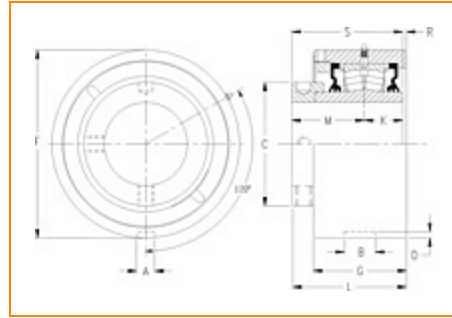
4500 Mt Pleasant St. NW

N. Canton, OH 44720

Phone: (234) 262-3000

E-Mail: CustomerCAD@timken.com • **Web site:** www.timken.com

Part Number QMMC26J415S, Eccentric Cartridge Block



[Specifications](#) | [Dimensions](#) | [Radial and Thrust Factors](#) | [Engineering Seal Speed](#) | [Engineering Bearing Attributes](#) | [Engineering Internal Radial Clearance](#)

Specifications

Engineering Group Mounted Bearing

Bearing Number 22226

Shaft Size 4 15/16 in

Shaft Size Type Imperial

Full Timken Part Number

- QMMC26J415SB
- QMMC26J415SC
- QMMC26J415SEB
- QMMC26J415SEC
- QMMC26J415SEM
- QMMC26J415SEN
- QMMC26J415SEO
- QMMC26J415SET
- QMMC26J415SM
- QMMC26J415SN
- QMMC26J415SO
- QMMC26J415ST



Locking Style	Eccentric
----------------------	-----------

Housing Construction	Cartridge
-----------------------------	-----------

UPC Code	0883450396745
	0883450396752
	0883450396769
	0883450396776
	0883450396783
	0883450396790
	0883450396806
	0883450396813
	0883450396820
	0883450396837
0883450396844	
0883450396851	

Dimensions

Dimension A	0.78 in 19.8 mm
--------------------	--------------------

Dimension B	1.5 in 38.1 mm
--------------------	-------------------

Dimension C	6.89 in 175 mm
--------------------	-------------------

Dimension D	0.31 in 7.9 mm
--------------------	-------------------

Dimension F	10.438 in 265.1 mm
--------------------	-----------------------

Dimension G	5.58 in 141.7 mm
--------------------	---------------------

Dimension K	2.31 in 58.7 mm
--------------------	--------------------

Dimension L Exp	6.59 in 167.4 mm
------------------------	---------------------

Dimension L Fix	6.51 in 165.4 mm
------------------------	---------------------

Dimension M	3.73 in 94.7 mm
--------------------	--------------------

Dimension R	0.47 in 11.9 mm
--------------------	--------------------

Dimension S	6.04 in 153.4 mm
--------------------	---------------------

Radial and Thrust Factors

C0 - Static Load	212000 lbf 945000 N
-------------------------	------------------------

C - Dynamic Load (Basic)	170000 lbf 757000 N
---------------------------------	------------------------

e - Geometry Factor	0.26
----------------------------	------

Y1 - Geometry Factor	2.62
-----------------------------	------

Y2 - Geometry Factor	3.9
-----------------------------	-----

Engineering Seal Speed

Oil Lubrication - M/N Seal	700 rpm
-----------------------------------	---------

Oil Lubrication - T Seal	1500 rpm
---------------------------------	----------

Oil Lubrication - B/C/O Seal	400 rpm
-------------------------------------	---------

Grease Lubrication - M/N Seal	700 rpm
--------------------------------------	---------

Grease Lubrication - T Seal	1000 rpm
------------------------------------	----------

Grease Lubrication - B/C/O Seal	400 rpm
--	---------

Engineering Bearing Attributes

Float	0.083 in 2.108 mm
--------------	----------------------

Shaft Tolerance	0.0050 in 0.127 mm
------------------------	-----------------------

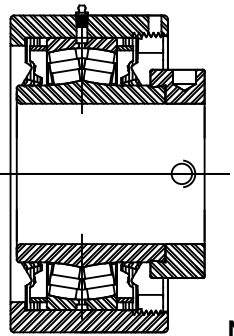
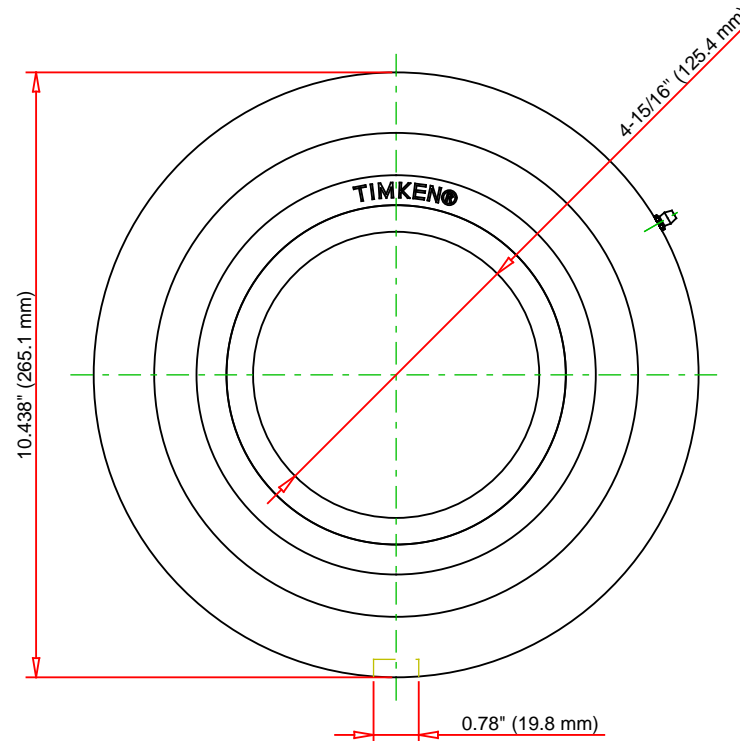
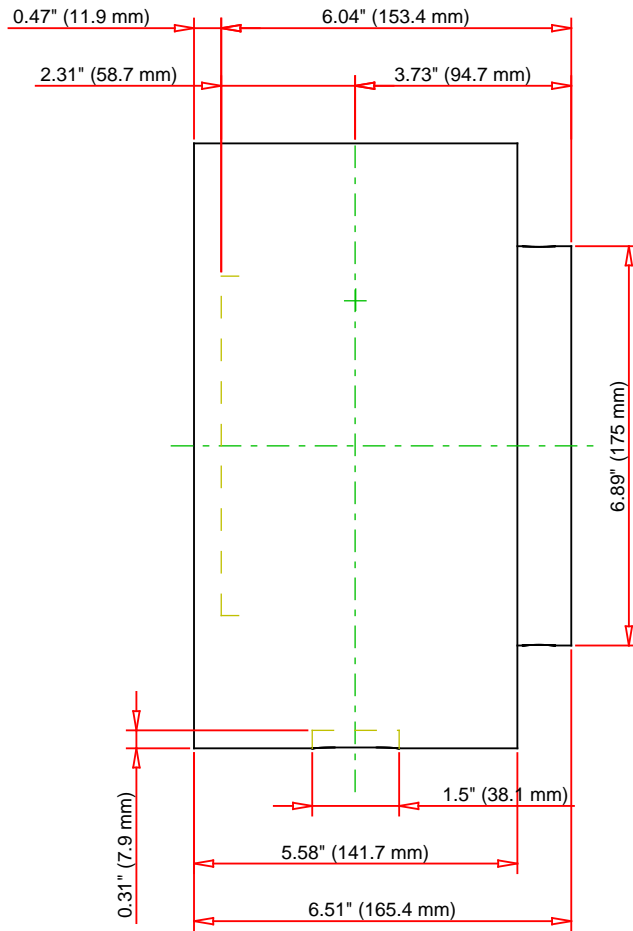
Engineering Internal Radial Clearance

Eng Internal Radial Clearance - Min	0.0037
--	--------

Eng Internal Radial Clearance - Max	0.0057
--	--------

Pre Install Clearance Min	0.0037 in 0.095 mm
----------------------------------	-----------------------

Pre Install Clearance Max	0.0057 in 0.145 mm
----------------------------------	-----------------------



Note: Section View not to Scale

C - Dynamic Load	170000	lbf	757000	N
C0 - Static Load	212000	lbf	945000	N
Weight	70	lb	31.8	kg
Max. Speed T-Seals & Grease	1000	rpm		
Rad. Clearance - Max.	0.0057			

TIMKEN

THE TIMKEN COMPANY
NORTH CANTON, OHIO USA

QMMC26J415S
Eccentric Cartridge Block

Every reasonable effort has been made to ensure the accuracy of the information contained in this writing, but no liability is accepted for errors, omissions or for any other reason.

FOR DISCUSSION ONLY