


The Timken Company

4500 Mt Pleasant St. NW

N. Canton, OH 44720

Phone: (234) 262-3000

E-Mail: CustomerCAD@timken.com • **Web site:** www.timken.com

Part Number CV26T407S, Steel Open End Cover with T Seal

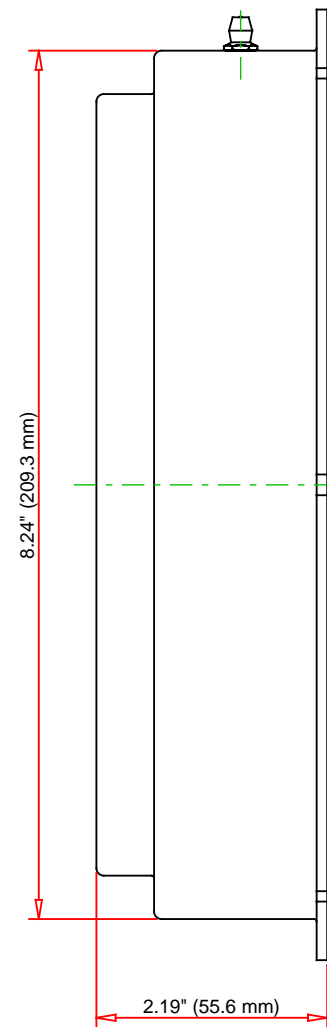
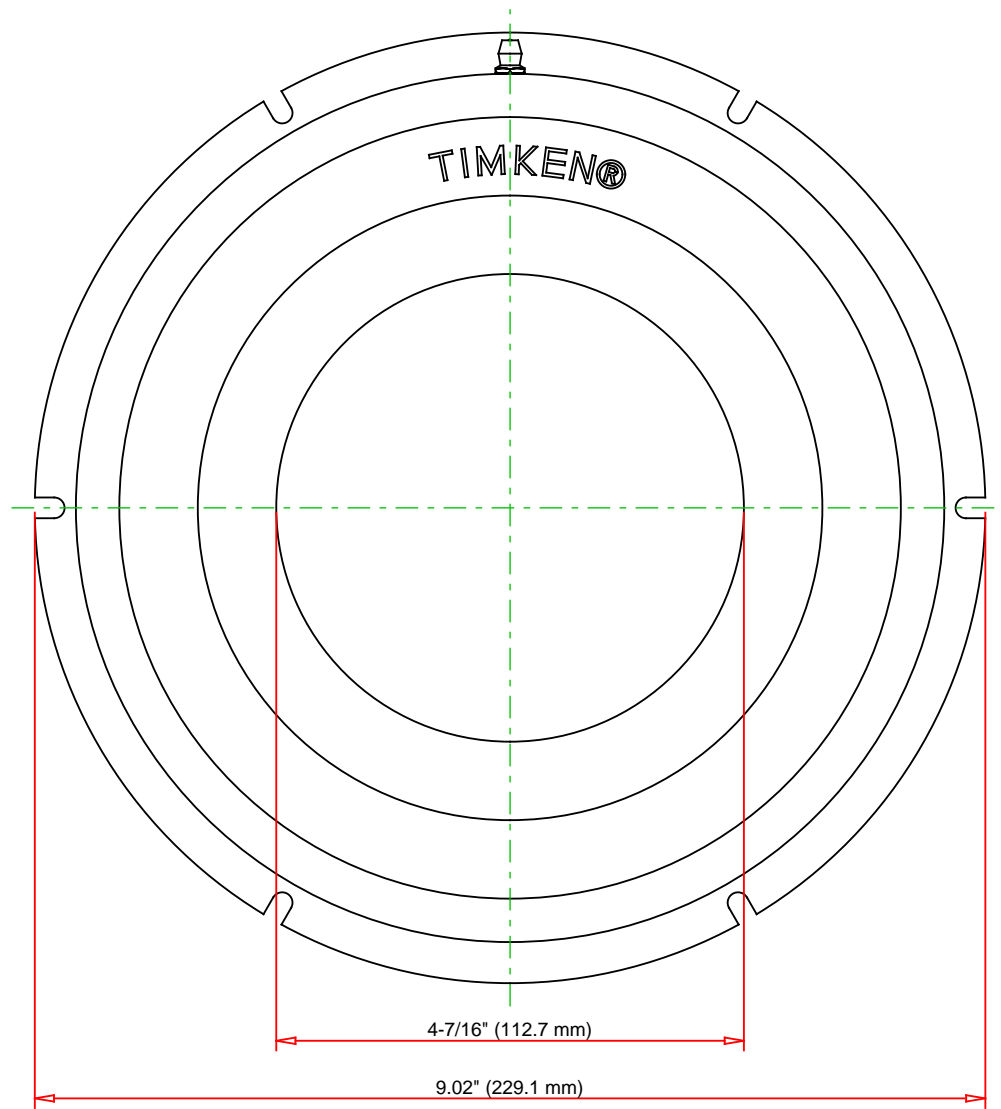

[Specifications](#) | [Dimensions](#)
Specifications

Type	Open
Shaft Size	4 7/16 in

Dimensions

Outside Diameter	9.02 in 229.1 mm
Width	2.19 in 55.6 mm
Dimension F	8.24 in 209.3 mm





IMPERIAL UNITS

TIMKEN

THE TIMKEN COMPANY
NORTH CANTON, OHIO USA

CV26T407S

Steel Open End Cover with T Seal

Every reasonable effort has been made to ensure the accuracy of the information contained in this writing, but no liability is accepted for errors, omissions or for any other reason.

FOR DISCUSSION ONLY