



The Timken Company

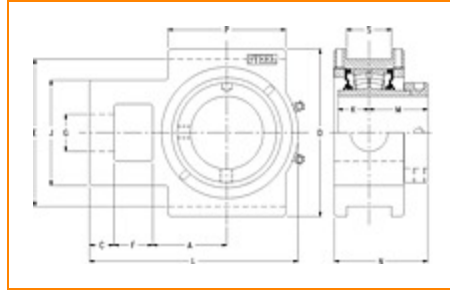
4500 Mt Pleasant St. NW

N. Canton, OH 44720

Phone: (234) 262-3000

E-Mail: CustomerCAD@timken.com • **Web site:** www.timken.com

Part Number QMTU18J080S, Eccentric Take-Up Block



[Specifications](#) | [Dimensions](#) | [Radial and Thrust Factors](#) | [Engineering Seal Speed](#) | [Engineering Bearing Attributes](#) | [Engineering Internal Radial Clearance](#)

Specifications

Engineering Group Mounted Bearing

Bearing Number 22218

Shaft Size 80 mm

Shaft Size Type Metric

Full Timken Part Number

- QMTU18J080SB
- QMTU18J080SC
- QMTU18J080SEB
- QMTU18J080SEC
- QMTU18J080SEM
- QMTU18J080SEN
- QMTU18J080SEO
- QMTU18J080SET
- QMTU18J080SM
- QMTU18J080SN
- QMTU18J080SO



QMTU18J080ST

Locking Style

Eccentric

Housing Construction

Take-Up

UPC Code

0883450103374
0883450103381
0883450103404
0883450103411
0883450103428
0883450103435
0883450103442
0883450103459
0883450169349
0883450169721
0883450260749
0883450261067

Dimensions**Dimension A1**

3.63 in
92.2 mm

Dimension C

1 in
25.4 mm

Dimension D

7.63 in
193.8 mm

Dimension E

6.81 in
173 mm

Dimension F

1.81 in
46 mm

Dimension G

1.88 in
47.8 mm

Dimension J

4.88 in
124 mm

Dimension L

10.12 in
257 mm

Dimension K	1.44 in 36.6 mm
--------------------	--------------------

Dimension M	2.59 in 65.8 mm
--------------------	--------------------

Dimension N	4.19 in 106.4 mm
--------------------	---------------------

Dimension P	6.25 in 158.8 mm
--------------------	---------------------

Dimension S	1.81 in 46 mm
--------------------	------------------

Radial and Thrust Factors

C0 - Static Load	87200 lbf 388000 N
-------------------------	-----------------------

C - Dynamic Load (Basic)	79700 lbf 355000 N
---------------------------------	-----------------------

e - Geometry Factor	0.23
----------------------------	------

Y1 - Geometry Factor	2.90
-----------------------------	------

Y2 - Geometry Factor	4.31
-----------------------------	------

Engineering Seal Speed

Oil Lubrication - M/N Seal	1400 rpm
-----------------------------------	----------

Oil Lubrication - T Seal	2400 rpm
---------------------------------	----------

Oil Lubrication - B/C/O Seal	1000 rpm
-------------------------------------	----------

Grease Lubrication - M/N Seal	1400 rpm
--------------------------------------	----------

Grease Lubrication - T Seal	2000 rpm
------------------------------------	----------

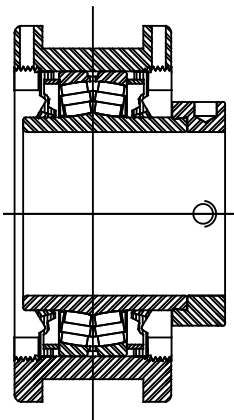
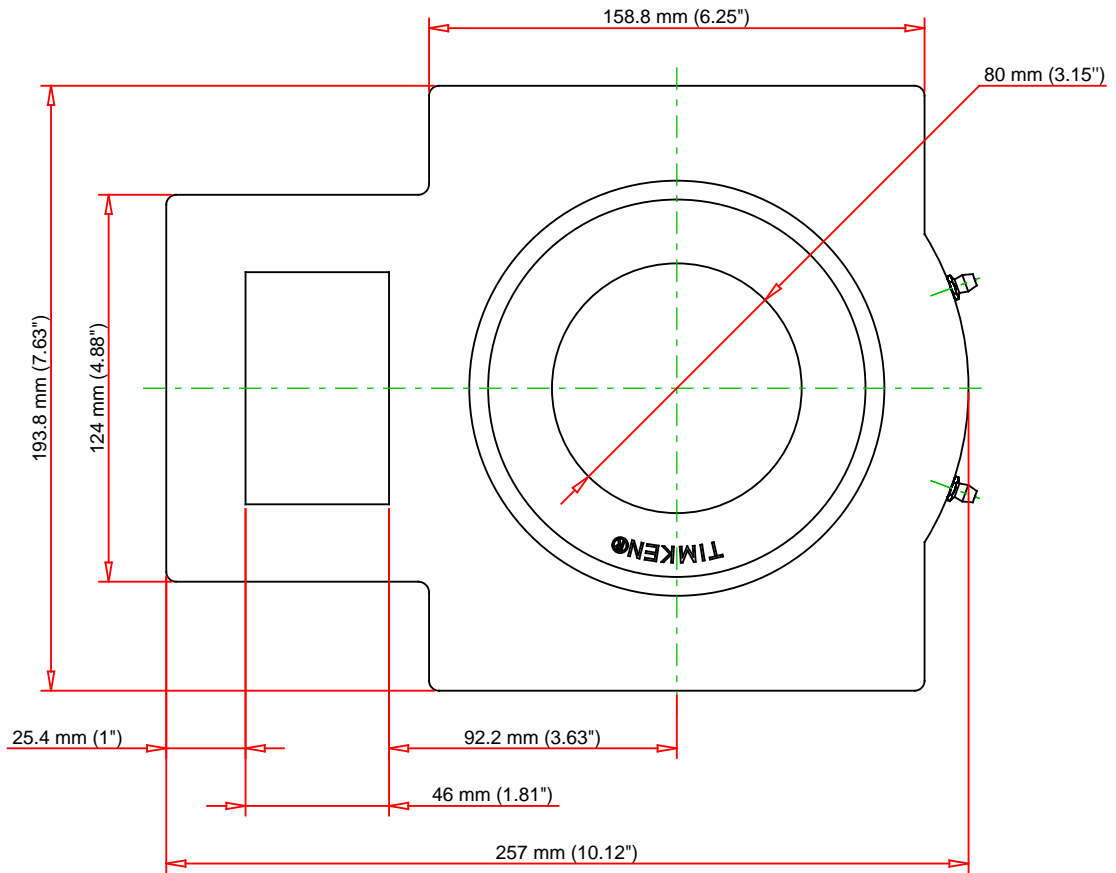
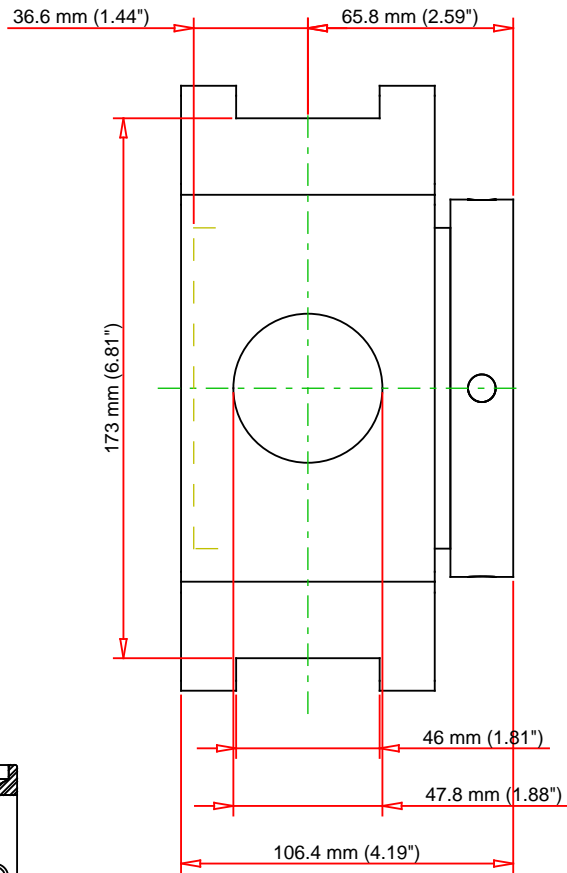
Grease Lubrication - B/C/O Seal	1000 rpm
--	----------

Engineering Bearing Attributes

Float	0.08 in 2.03 mm
Shaft Tolerance	0.0030 in 0.076 mm

Engineering Internal Radial Clearance

Eng Internal Radial Clearance - Min	0.0024
Eng Internal Radial Clearance - Max	0.0039
Pre Install Clearance Min	0.0024 in 0.060 mm
Pre Install Clearance Max	0.0039 in 0.100 mm



Note: Section View not to Scale

C - Dynamic Load	79700	lbf	355000	N
C0 - Static Load	87200	lbf	388000	N
Weight	44	lb	20	kg
Max. Speed T-Seals & Grease	2000	rpm		
Rad. Clearance - Max.	0.0039			

TIMKEN

THE TIMKEN COMPANY
NORTH CANTON, OHIO USA

QMTU18J080S
Eccentric Take-Up Block

Every reasonable effort has been made to ensure the accuracy of the information contained in this writing, but no liability is accepted for errors, omissions or for any other reason.

FOR DISCUSSION ONLY