



The Timken Company

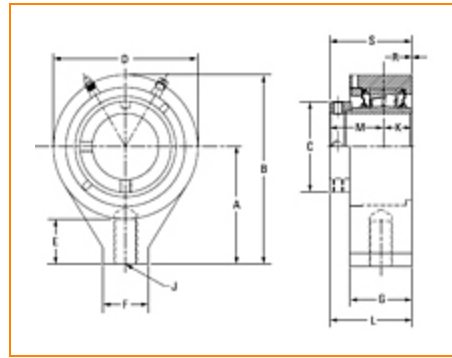
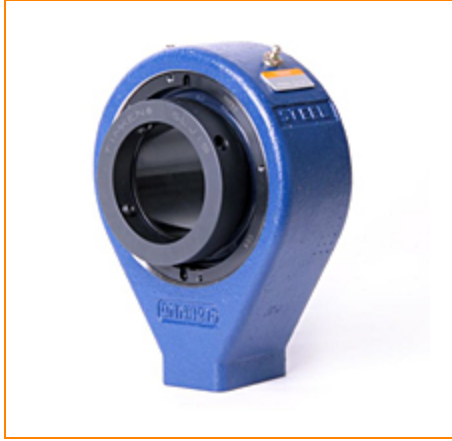
4500 Mt Pleasant St. NW

N. Canton, OH 44720

Phone: (234) 262-3000

E-Mail: CustomerCAD@timken.com • **Web site:** www.timken.com

Part Number QMMH18J307S, Eccentric Hanger Block



[Specifications](#) | [Dimensions](#) | [Radial and Thrust Factors](#) | [Engineering Seal Speed](#) | [Engineering Bearing Attributes](#) | [Engineering Internal Radial Clearance](#)

Specifications

Engineering Group Mounted Bearing

Bearing Number 22218

Shaft Size 3 7/16 in

Shaft Size Type Imperial

Full Timken Part Number

- QMMH18J307SB
- QMMH18J307SC
- QMMH18J307SEB
- QMMH18J307SEC
- QMMH18J307SEM
- QMMH18J307SEN
- QMMH18J307SEO
- QMMH18J307SET
- QMMH18J307SM
- QMMH18J307SN
- QMMH18J307SO



QMMH18J307ST

Locking Style

Eccentric

UPC Code

0883450410304
 0883450418775
 0883450418782
 0883450418799
 0883450418805
 0883450418812
 0883450418829
 0883450418836
 0883450418843
 0883450418850
 0883450418867
 0883450418874

Dimensions**Dimension A**

6.31 in
 160.3 mm

Dimension B

10 1/4 in
 260.4 mm

Dimension C

4.76 in
 120.9 mm

Dimension D

7.88 in
 200.2 mm

Dimension E

2.5 in
 63.5 mm

Dimension F

3 in
 76.2 mm

Dimension G

3 in
 76.2 mm

Dimension K

1.44 in
 36.6 mm

Dimension L	3.91 in 99.3 mm
Dimension M	2.59 in 65.8 mm
Dimension R	0.12 in 3 mm
Dimension S	4.03 in 102.4 mm
Thread Size J	1 1/4-7UNC

Radial and Thrust Factors

C0 - Static Load	87200 lbf 388000 N
C - Dynamic Load (Basic)	79700 lbf 355000 N
e - Geometry Factor	0.23
Y1 - Geometry Factor	2.90
Y2 - Geometry Factor	4.31

Engineering Seal Speed

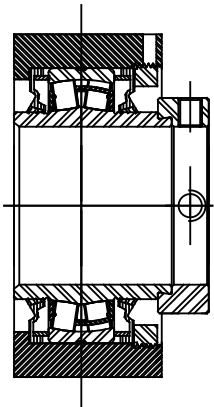
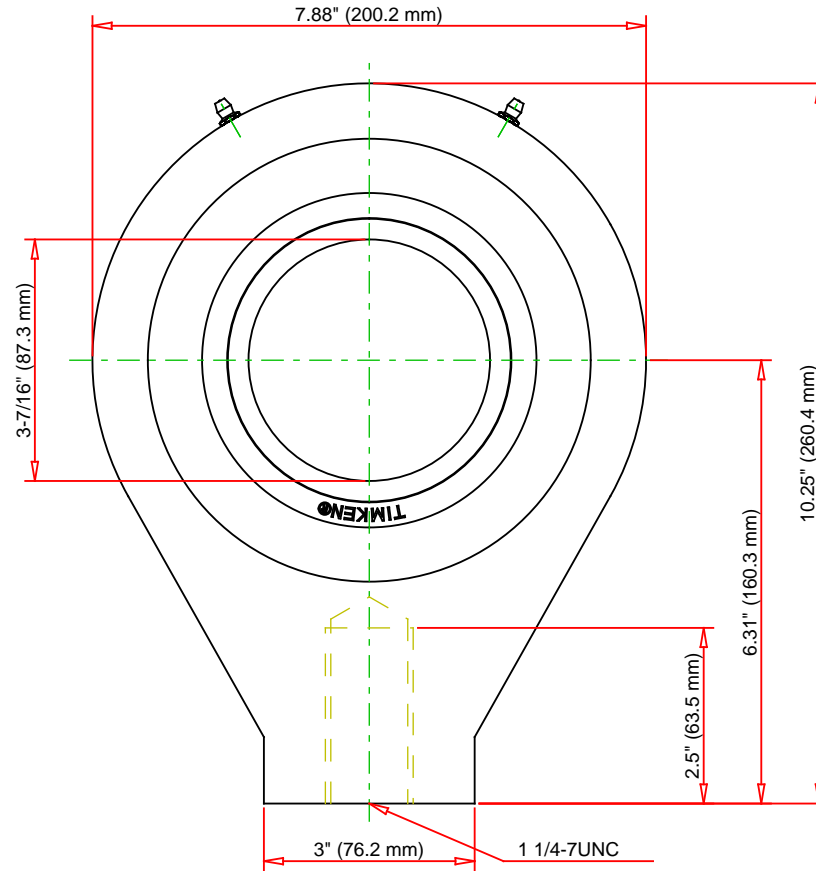
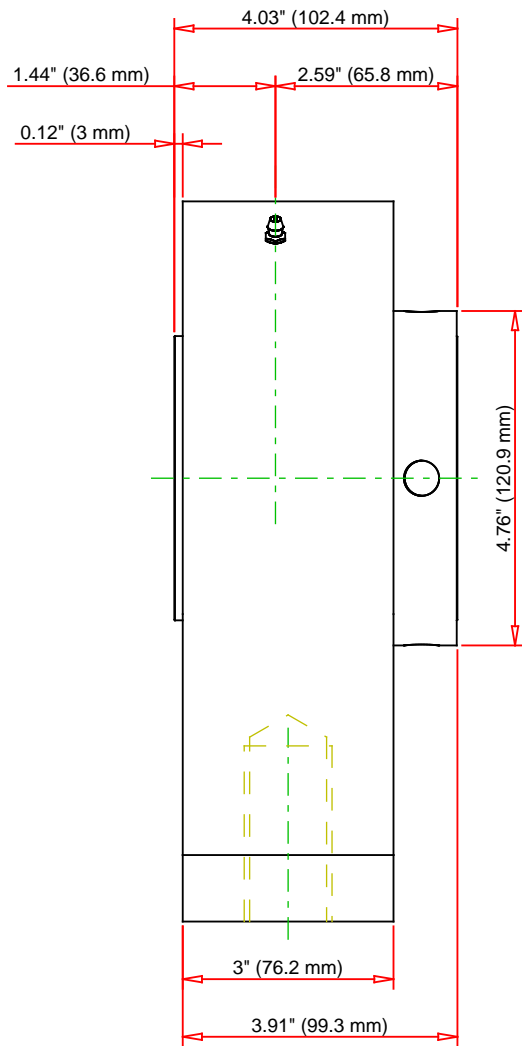
Oil Lubrication - M/N Seal	1400 rpm
Oil Lubrication - T Seal	2400 rpm
Oil Lubrication - B/C/O Seal	1000 rpm
Grease Lubrication - M/N Seal	1400 rpm
Grease Lubrication - T Seal	2000 rpm
Grease Lubrication - B/C/O Seal	1000 rpm

Engineering Bearing Attributes

Float	0.083 in 2.108 mm
Shaft Tolerance	0.0030 in 0.076 mm

Engineering Internal Radial Clearance

Eng Internal Radial Clearance - Min	0.0024
Eng Internal Radial Clearance - Max	0.0039
Pre Install Clearance Min	0.0024 in 0.060 mm
Pre Install Clearance Max	0.0039 in 0.100 mm



Note: Section View not to Scale

C - Dynamic Load	79700	lbf	355000	N
C0 - Static Load	87200	lbf	388000	N
Weight	36	lb	16.3	kg
Max. Speed T-Seals & Grease	2000	rpm		
Rad. Clearance - Max.	0.0039			

TIMKEN

THE TIMKEN COMPANY
NORTH CANTON, OHIO USA

QMMH18J307S
Eccentric Hanger Block

Every reasonable effort has been made to ensure the accuracy of the information contained in this writing, but no liability is accepted for errors, omissions or for any other reason.

FOR DISCUSSION ONLY