



**The Timken Company**

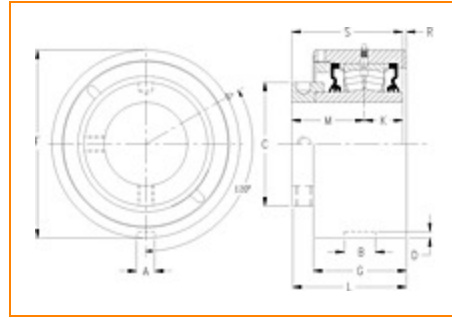
4500 Mt Pleasant St. NW

N. Canton, OH 44720

**Phone:** (234) 262-3000

**E-Mail:** [CustomerCAD@timken.com](mailto:CustomerCAD@timken.com) • **Web site:** [www.timken.com](http://www.timken.com)

## Part Number QMMC10J050S, Eccentric Cartridge Block



[Specifications](#) | [Dimensions](#) | [Radial and Thrust Factors](#) | [Engineering Seal Speed](#) | [Engineering Bearing Attributes](#) | [Engineering Internal Radial Clearance](#)

### Specifications

**Engineering Group** Mounted Bearing

**Bearing Number** 22210

**Shaft Size** 50 mm

**Shaft Size Type** Metric

**Full Timken Part Number**

- QMMC10J050SB
- QMMC10J050SC
- QMMC10J050SEB
- QMMC10J050SEC
- QMMC10J050SEM
- QMMC10J050SEN
- QMMC10J050SEO
- QMMC10J050SET
- QMMC10J050SETHT
- QMMC10J050SM
- QMMC10J050SN
- QMMC10J050SO



QMMC10J050ST  
QMMC10J050STHT

**Locking Style** Eccentric

**Housing Construction** Cartridge

**UPC Code**

0883450076524  
0883450076531  
0883450076555  
0883450076562  
0883450076579  
0883450076586  
0883450076593  
0883450076609  
0883450167840  
0883450168526  
0883450259620  
0883450260107  
0883450461856  
0883450462532

## Dimensions

**Dimension A**

0.53 in  
13.5 mm

**Dimension B**

0.91 in  
23.1 mm

**Dimension C**

2.76 in  
70.1 mm

**Dimension D**

0.19 in  
4.8 mm

**Dimension F**

4.1250 in  
104.8 mm

**Dimension G**

2.45 in  
62.2 mm

**Dimension K**

0.98 in  
24.9 mm

<b>Dimension L Exp</b>	3.2 in 81.3 mm
<b>Dimension L Fix</b>	3.12 in 79.2 mm
<b>Dimension M</b>	1.89 in 48 mm
<b>Dimension R</b>	0.24 in 6.1 mm
<b>Dimension S</b>	2.87 in 72.9 mm

### Radial and Thrust Factors

<b>C0 - Static Load</b>	26600 lbf 118000 N
<b>C - Dynamic Load (Basic)</b>	26300 lbf 117000 N
<b>e - Geometry Factor</b>	0.24
<b>Y1 - Geometry Factor</b>	2.84
<b>Y2 - Geometry Factor</b>	4.23

### Engineering Seal Speed

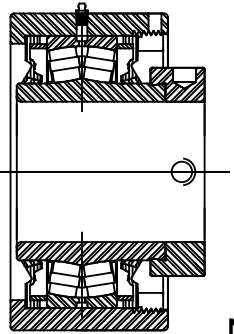
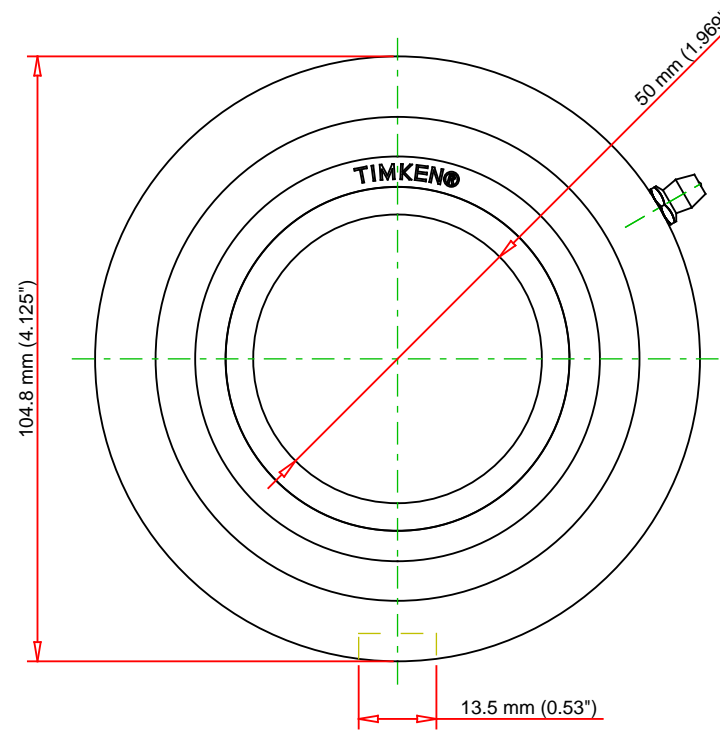
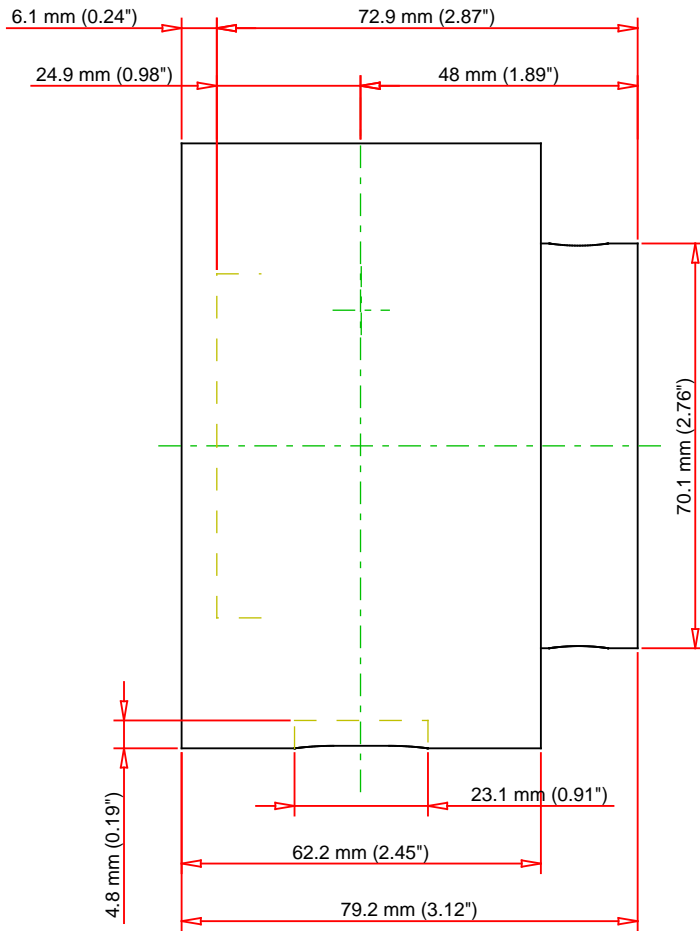
<b>Oil Lubrication - M/N Seal</b>	2400 rpm
<b>Oil Lubrication - T Seal</b>	4200 rpm
<b>Oil Lubrication - B/C/O Seal</b>	1800 rpm
<b>Grease Lubrication - M/N Seal</b>	2400 rpm
<b>Grease Lubrication - T Seal</b>	3550 rpm
<b>Grease Lubrication - B/C/O Seal</b>	1800 rpm

## Engineering Bearing Attributes

<b>Float</b>	0.050 in 1.270 mm
<b>Shaft Tolerance</b>	0.0015 in 0.038 mm

## Engineering Internal Radial Clearance

<b>Eng Internal Radial Clearance - Min</b>	0.0014
<b>Eng Internal Radial Clearance - Max</b>	0.0022
<b>Pre Install Clearance Min</b>	0.0016 in 0.040 mm
<b>Pre Install Clearance Max</b>	0.0026 in 0.065 mm



Note: Section View not to Scale

C - Dynamic Load	26300	lbf	117000	N
C0 - Static Load	26600	lbf	118000	N
Weight	8	lb	3.6	kg
Max. Speed T-Seals & Grease	3550	rpm		
Rad. Clearance - Max.	0.0022			

**TIMKEN**

THE TIMKEN COMPANY  
NORTH CANTON, OHIO USA

**QMMC10J050S**  
Eccentric Cartridge Block

Every reasonable effort has been made to ensure the accuracy of the information contained in this writing, but no liability is accepted for errors, omissions or for any other reason.

**FOR DISCUSSION ONLY**