



**The Timken Company**

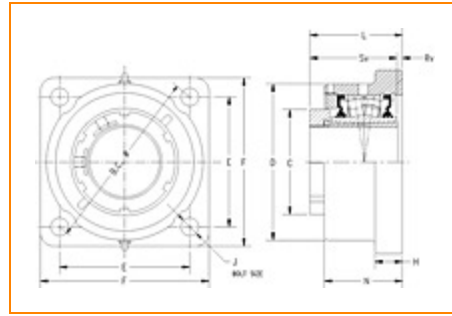
4500 Mt Pleasant St. NW

N. Canton, OH 44720

**Phone:** (234) 262-3000

**E-Mail:** [CustomerCAD@timken.com](mailto:CustomerCAD@timken.com) • **Web site:** [www.timken.com](http://www.timken.com)

## Part Number QVF14V060S, Single V-Lock Four-Bolt Square Flange Block



[Specifications](#) | [Dimensions](#) | [Radial and Thrust Factors](#) | [Engineering Seal Speed](#) | [Engineering Bearing Attributes](#) | [Engineering Internal Radial Clearance](#)

### Specifications

**Engineering Group** Mounted Bearing

**Bearing Number** 22214

**Shaft Size** 60 mm

**Shaft Size Type** Metric

**Full Timken Part Number**

- QVF14V060SB
- QVF14V060SC
- QVF14V060SEB
- QVF14V060SEC
- QVF14V060SEM
- QVF14V060SEN
- QVF14V060SEO
- QVF14V060SET
- QVF14V060SM
- QVF14V060SN
- QVF14V060SO



QVF14V060ST

**Locking Style**

Single V-Lock

**Housing Construction**

Four-Bolt Square Flange

**UPC Code**

0883450039291  
 0883450039321  
 0883450107051  
 0883450178327  
 0883450210676  
 0883450211055  
 0883450223096  
 0883450223478  
 0883450235594  
 0883450235976  
 0883450295642  
 0883450492522

**Dimensions****Dimension BC**

7.6 in  
 193 mm

**Dimension C**

3.7 in  
 94 mm

**Dimension D**

5.75 in  
 146.1 mm

**Dimension L**

3.35 in  
 85.1 mm

**Dimension E**

5.38 in  
 136.7 mm

**Dimension F**

6.63 in  
 168.4 mm

**Dimension H**

1 in  
 25.4 mm

**Dimension J (Bolt Size)**

0.625 in  
 16 mm

<b>Dimension L Exp</b>	3.43 in 87.1 mm
------------------------	--------------------

<b>Dimension L Fix</b>	3.35 in 85.1 mm
------------------------	--------------------

<b>Dimension N</b>	2.85 in 72.4 mm
--------------------	--------------------

<b>Dimension RV</b>	0.16 in 4.1 mm
---------------------	-------------------

<b>Dimension SV</b>	3.19 in 81 mm
---------------------	------------------

## Radial and Thrust Factors

<b>C0 - Static Load</b>	52000 lbf 231000 N
-------------------------	-----------------------

<b>C - Dynamic Load (Basic)</b>	47800 lbf 213000 N
---------------------------------	-----------------------

<b>e - Geometry Factor</b>	0.24
----------------------------	------

<b>Y1 - Geometry Factor</b>	2.83
-----------------------------	------

<b>Y2 - Geometry Factor</b>	4.22
-----------------------------	------

## Engineering Seal Speed

<b>Oil Lubrication - M/N Seal</b>	1700 rpm
-----------------------------------	----------

<b>Oil Lubrication - T Seal</b>	3050 rpm
---------------------------------	----------

<b>Oil Lubrication - B/C/O Seal</b>	1400 rpm
-------------------------------------	----------

<b>Grease Lubrication - M/N Seal</b>	1700 rpm
--------------------------------------	----------

<b>Grease Lubrication - T Seal</b>	2600 rpm
------------------------------------	----------

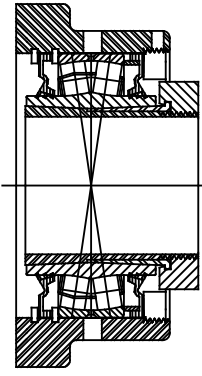
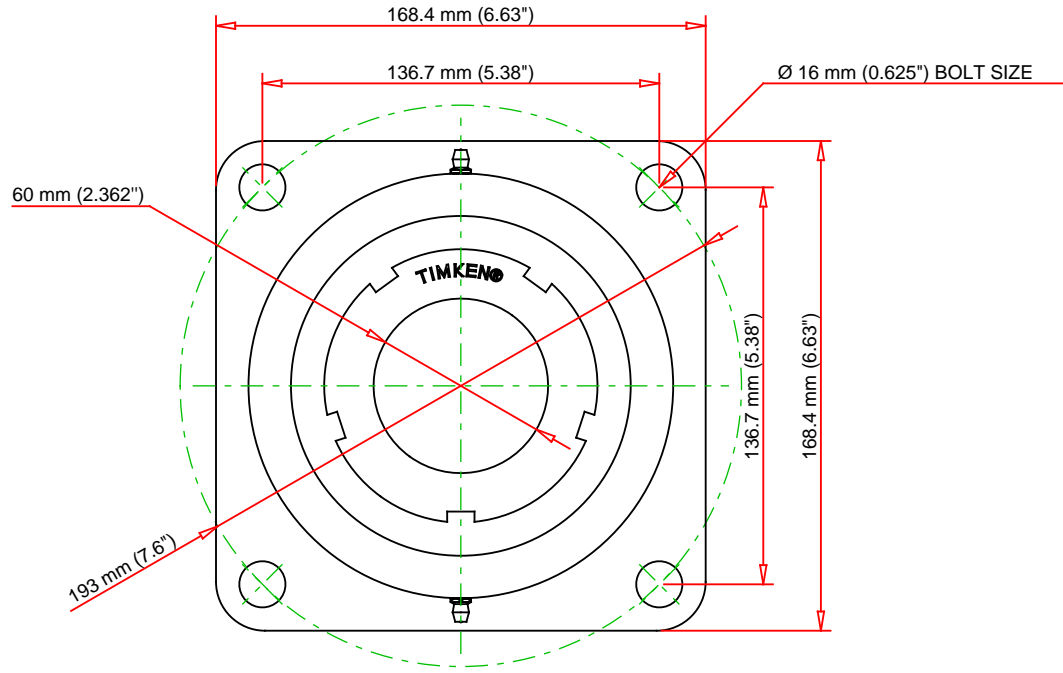
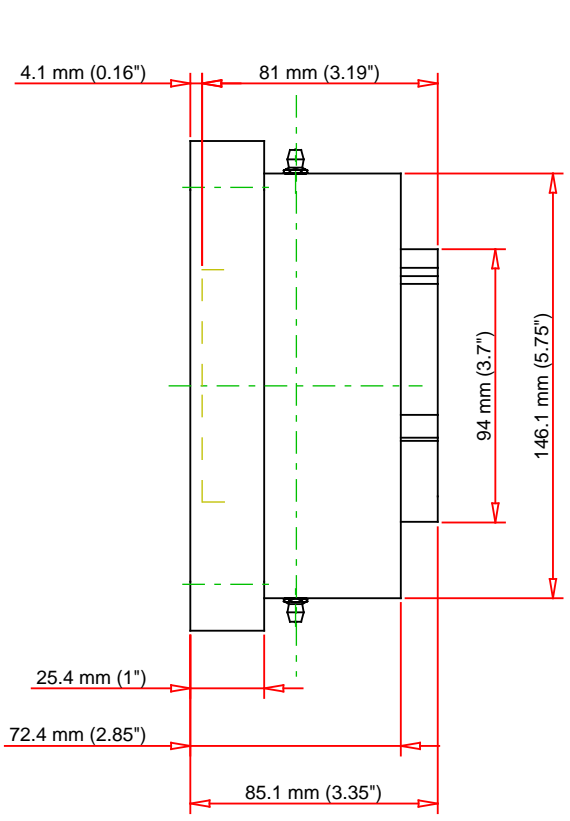
<b>Grease Lubrication - B/C/O Seal</b>	1400 rpm
--	----------

## Engineering Bearing Attributes

<b>Float</b>	0.083 in 2.108 mm
<b>Shaft Tolerance</b>	0.0015 in 0.038 mm

## Engineering Internal Radial Clearance

<b>Eng Internal Radial Clearance - Min</b>	0.0030
<b>Eng Internal Radial Clearance - Max</b>	0.0037
<b>Pre Install Clearance Min</b>	0.0030 in 0.075 mm
<b>Pre Install Clearance Max</b>	0.0037 in 0.094 mm



Note: Section View not to Scale

C - Dynamic Load	47800	lbf	213000	N
C0 - Static Load	52000	lbf	231000	N
Weight	17	lb	7.7	kg
Max. Speed T-Seals & Grease	2600	rpm		
Rad. Clearance - Max.	0.0037			

**TIMKEN**

THE TIMKEN COMPANY  
NORTH CANTON, OHIO USA

**QVF14V060S**  
Single V-Lock Four-Bolt Square  
Flange Block

Every reasonable effort has been made to ensure the accuracy of the information contained in this writing, but no liability is accepted for errors, omissions or for any other reason.

**FOR DISCUSSION ONLY**