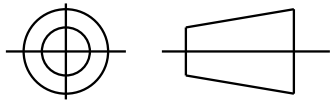


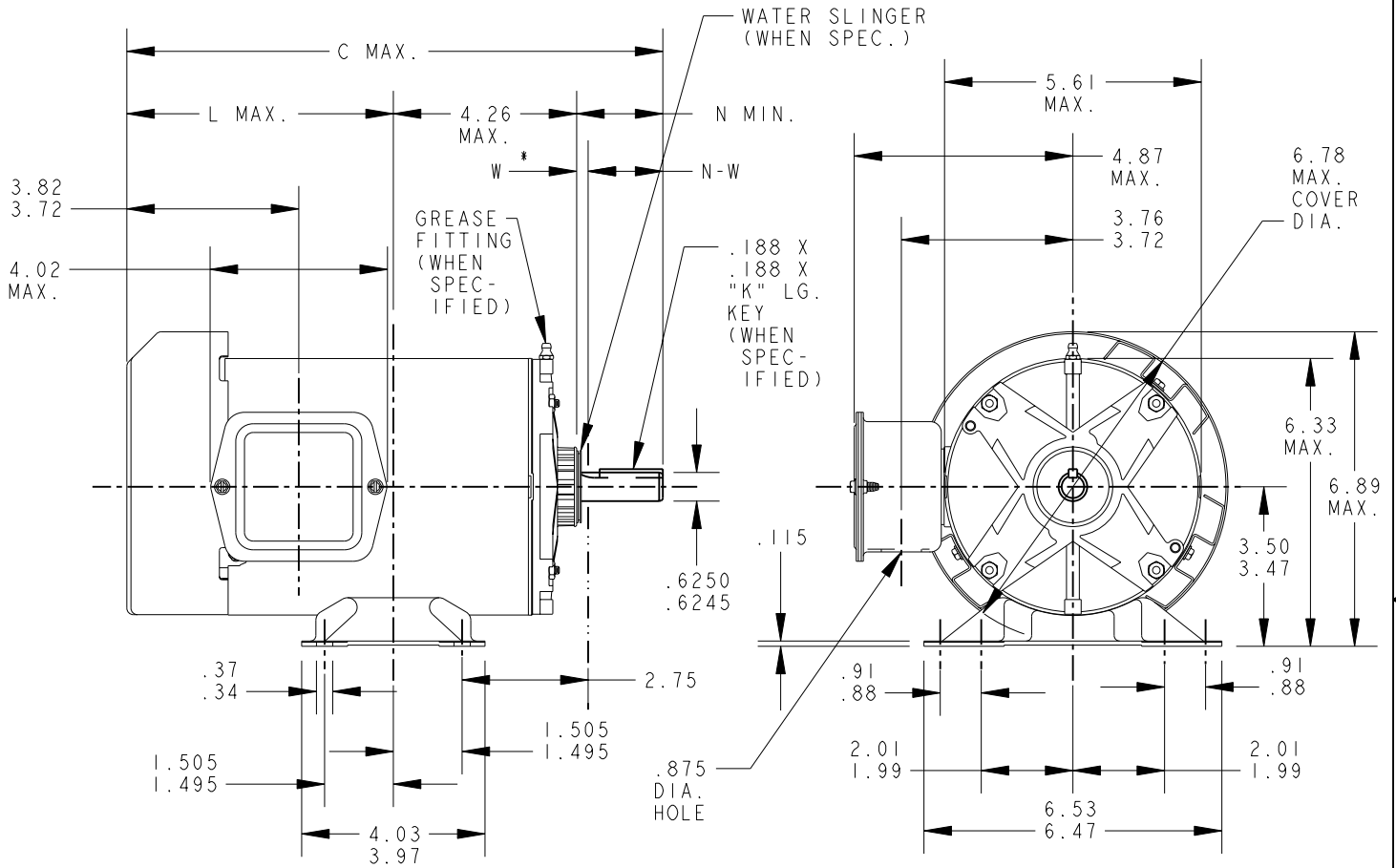
SHEET
REV
52A102069 9

THIRD ANGLE PROJECTION



REVISIONS

REV.	DESCRIPTION	DATE	APPROVED
7	REVISED & REDRAWN	11/09/90	B.L.J
8	REVISED BASE SLOT LOCATION	03/07/91	B.L.J
9	CHG MADE AS PER ISO5-3080	12/06/05	GOVARDAN



W* IS A CLEARANCE DUE TO VARIATION IN PARTS AND ASSEMBLY

5	K	KH	37	56	11.76	1.38	5.58	1.88	2.01/1.79											
4	K	KH	36	56	11.36	1.38	5.18	1.88	2.01/1.79	9	K	KH	39	56Z	10.05	1.38	3.87	1.88	2.01/1.79	4.91
3	K	KH	35	56	10.93	1.38	4.75	1.88	2.01/1.79	8	K	KH	38	56Z	16.23	1.38	6.18	5.75	5.88/5.66	
2	K	KH	33	56	10.55	1.38	4.37	1.88	2.01/1.79	7	K	KH	39	56	12.89	1.38	6.71	1.88	2.01/1.79	7.75
1	K	KH	32	56	10.30	1.38	4.12	1.88	2.01/1.79	6	K	KH	38	56	12.36	1.38	6.18	1.88	2.01/1.79	
P	TYPE	GE SIZE	NEMA FR.	C	K	L	N	N-W	SHELL LGTH.	P	TYPE	GE SIZE	NEMA FR.	C	K	L	N	N-W	SHELL LGTH.	

SIGNATURES		DATE
MODEL	F.P.K	25/01/77
DETAIL	.	.
CHECKED	.	.
ENGRG	.	.
MFG	.	.
FOR ADDITIONAL INFO REFER TO:	QUALITY	.
APPLIED PRACTICES	ISSUED	B.L.J 03/07/91
DIMENSIONS ARE IN INCHES ✓	SOLID MODEL: 52A102069	

REGAL-BELOIT CORPORATION

REGAL-BELOIT CORPORATION

TITLE

OUTLINE

GENERAL PURPOSE MOTOR - FORM N - TOTALLY ENCLOSED

OUTBOARD FAN - WELDED BASE - BALL OR SLEEVE BEARING

SIZE: DRAWING **A**

REV **9**

52A102069

SCALE: 1.000 REF. No: . SHEET 1 of 1