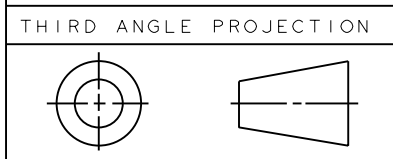
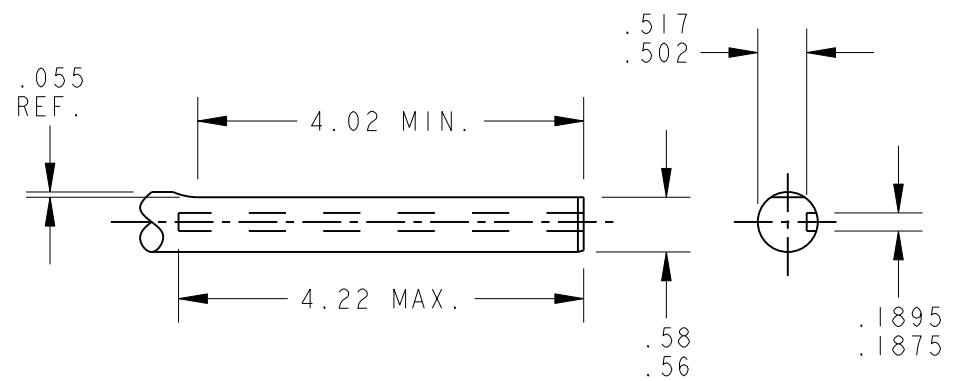
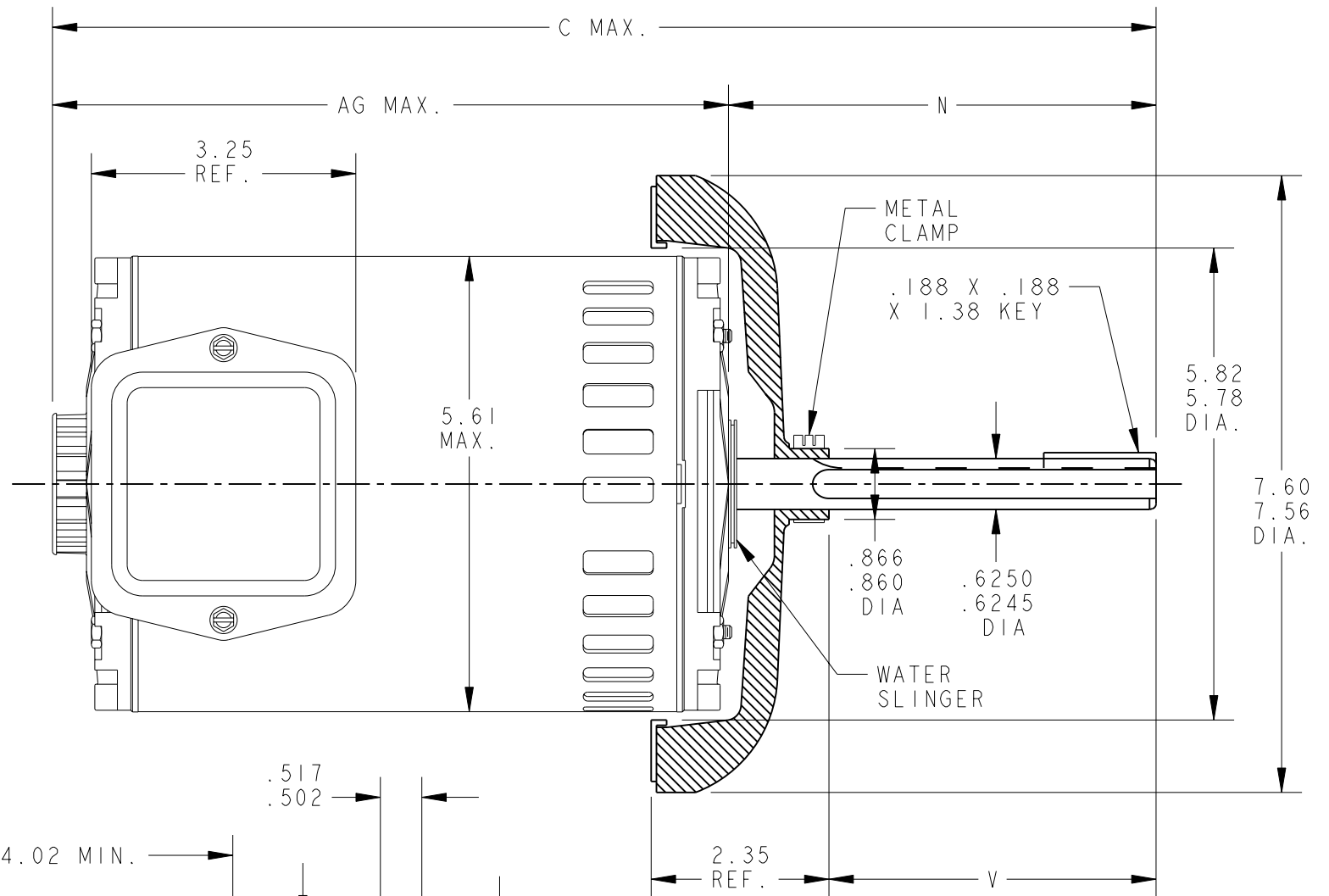
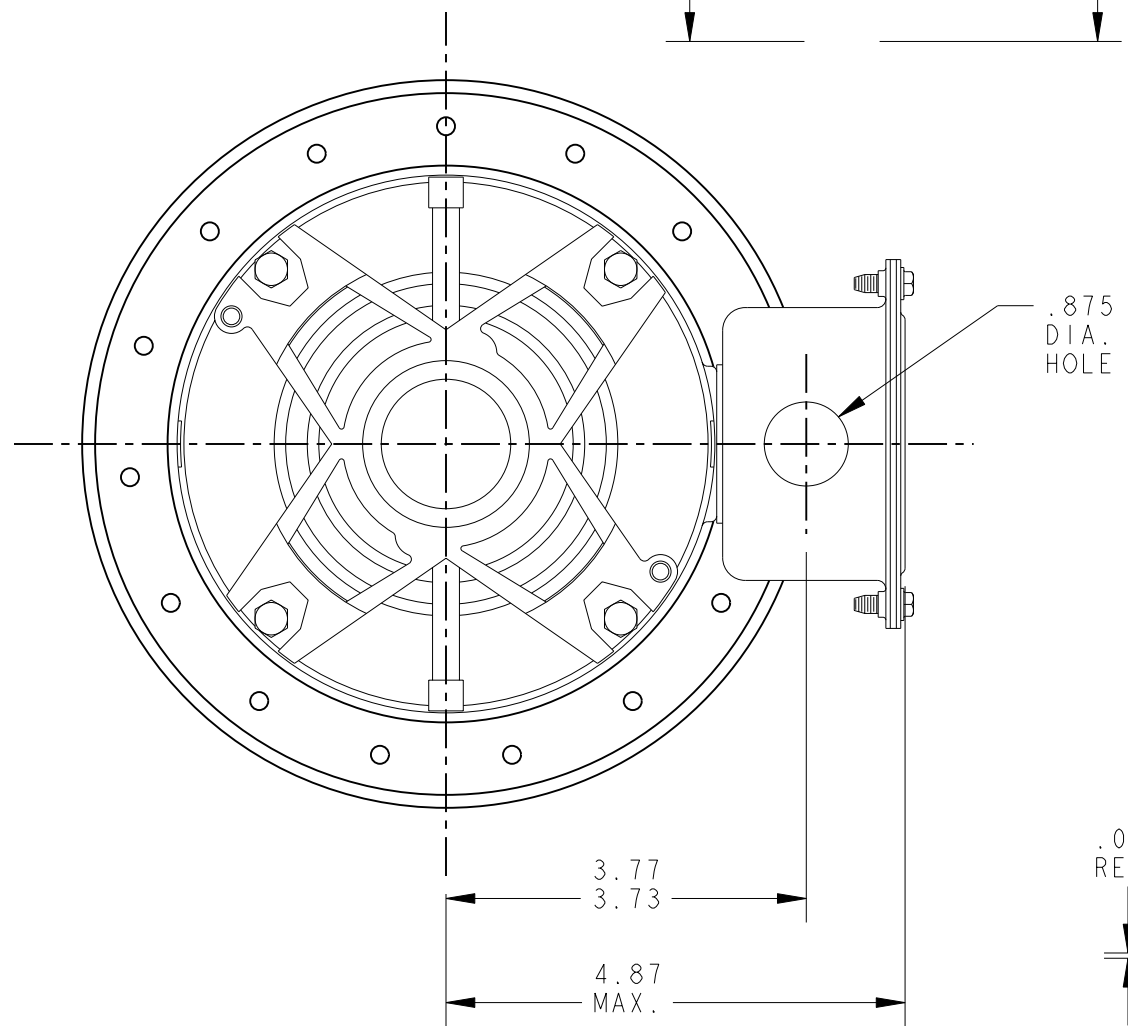
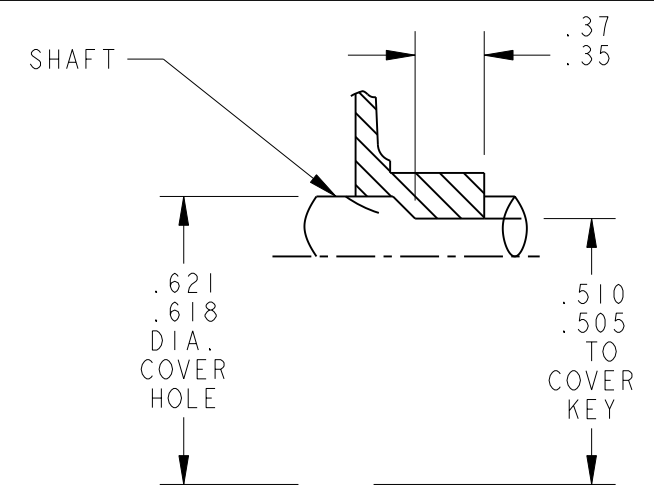


REVISIONS			
REV.	DESCRIPTION	DATE	APPROVED
5	REDRAWN BY 2M SOFTWARE CO.	03/22/95	CCP
6	CHANGED C DIM FROM 14.80 TO 14.25 AS PER IS04-3240	12/20/04	VAISHAKHI
7	CHG TO RBC FORMAT PER IS05-1777	05/04/06	ARCHANA



I	K KCP	38	48Z	14.80	5.32 5.26	8.95	4.04 4.00	
P	TYPE	GE SIZE	NEMA FR	C	N	AG	V	SHELL LGTH.

FOR ADDITIONAL INFO REFER TO:
APPLIED PRACTICES
DIMENSIONS ARE IN INCHES
MATERIAL

SIGNATURES		DATE
MODEL	D.E.M.	02/29/88
DETAIL	.	.
CHECKED	.	.
ENGRG	.	.
MFG	.	.
QUALITY	.	.
ISSUED	C.C.P.	03/22/95
SOLID MODEL: 52B209412		

REGAL-BELOIT CORPORATION

REGAL-BELOIT

TITLE
OUTLINE
FORM N - SPECIAL PURPOSE MOTOR OPEN -
BALL BEARING FMF - 5KCP37SN267AS

SIZE B DRAWING
52B209412 REV **7**

SCALE: 0.500 REF. No: . SHEET 1 of 1