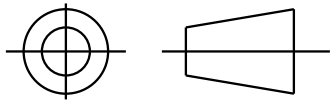


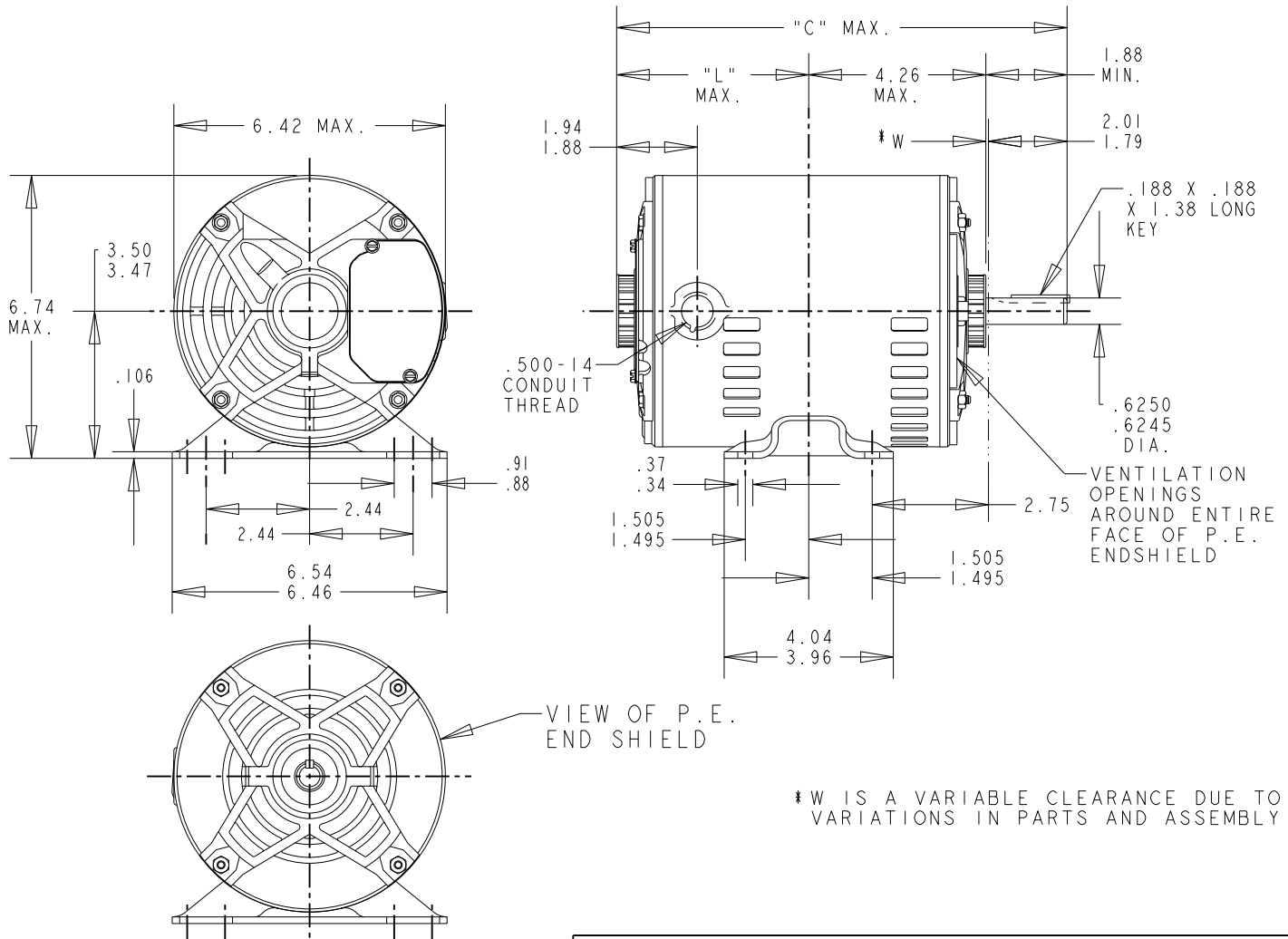
SHEET 1  
 REV 2  
 SIZE DRAWING NO. 52A109631  
 A

THIRD ANGLE PROJECTION




REVISIONS

REV.	DESCRIPTION	DATE	APPROVED
1	ADDED P2 IN THE TABLE	06/05/02	MOHANLAL
2	CHG TO RBC FORMAT PER ISO5-1777	03/21/06	SUDHA



ALL DIMENSIONS ARE IN INCHES

2	K	46	56	10.88	4.62	6.55
1	K	42	56	10.05	3.79	5.72
P	TYPE	GE SIZE	NEMA FR.	"C"	"L"	MIN. SHELL

FOR ADDITIONAL INFO REFER TO: APPLIED PRACTICES DIMENSIONS ARE IN INCHES ✓ MATERIAL	SIGNATURES	DATE	 <p><b>REGAL-BELOIT CORPORATION</b></p> <p>TITLE <b>OUTLINE</b></p> <p><b>GENERAL PURPOSE MOTOR - DRIP PROOF - BALL BEARING - WELDED BASE FMF - 40 FRAME REDESIGN</b></p> <p>SCALE: 0.250 REF. No: .</p>
	MODEL MA MARKS	06/09/94	
	DETAIL	.	
	CHECKED	.	
	ENGRG	.	
MFG	.		
QUALITY	.		
ISSUED	M.A.M.	06/09/94	<p>SIZE DRAWING <b>A</b></p> <p><b>52A109631</b></p>
SOLID MODEL: 52A109631			<p>REV <b>2</b></p> <p>SHEET 1 of 1</p>

