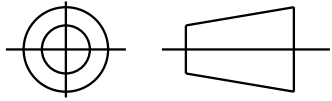


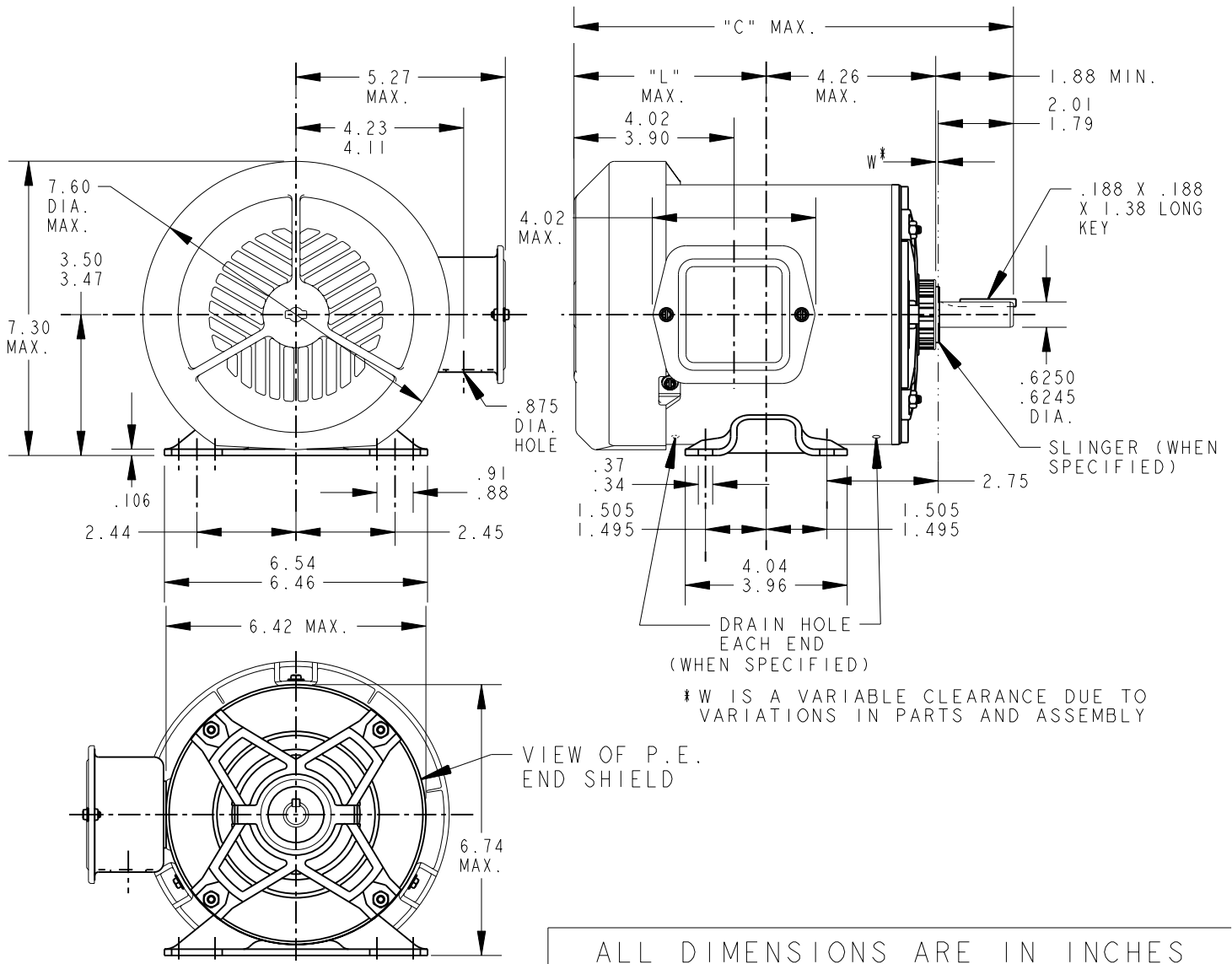
SHEET 1
 REV 4
 SIZE 52A107797
 DRAWING NO. A

THIRD ANGLE PROJECTION



REVISIONS

REV.	DESCRIPTION	DATE	APPROVED
3	ADDED PART #5.	07/16/98	M.D.PAPE
4	CHG TO RBC FORMAT PER ISO5-1777	03/03/06	SUDHA



ALL DIMENSIONS ARE IN INCHES

5	K	49	56	12.43	6.28	7.15
4	K	49	56	10.73	4.47	5.34
3	K	46	56	11.83	5.68	6.55
2	K	49	56	11.43	5.28	6.15
1	K	42	56	11.00	4.85	5.72
P	TYPE	GE SIZE	NEMA FR.	"C"	"L"	MIN. SHELL

FOR ADDITIONAL INFO REFER TO: APPLIED PRACTICES DIMENSIONS ARE IN INCHES ✓ MATERIAL	SIGNATURES		DATE	 REGAL-BELOIT CORPORATION TITLE OUTLINE GENERAL PURPOSE MOTOR TEFC - BALL BEARING - WELDED BASE FMF: 5K42HN4005 & 5K49KN4006 SIZE DRAWING 52A107797 SCALE: 0.250 REF. No: . SHEET 1 of 1
	MODEL	M.D.PAPE	05/19/92	
	DETAIL	.	.	
	CHECKED	.	.	
	ENGRG	.	.	
ISSUED	M.D.PAPE	05/19/92	REV 4	