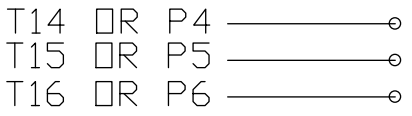
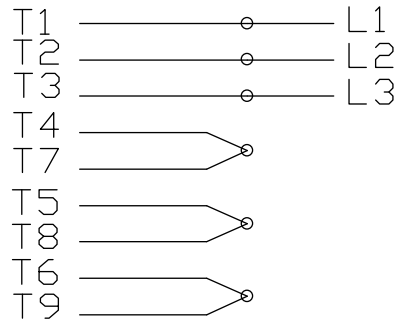
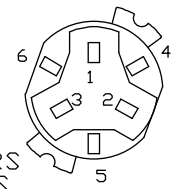


HIGH VOLTAGE CONNECTIONS



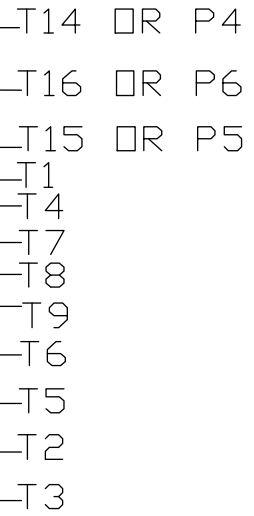
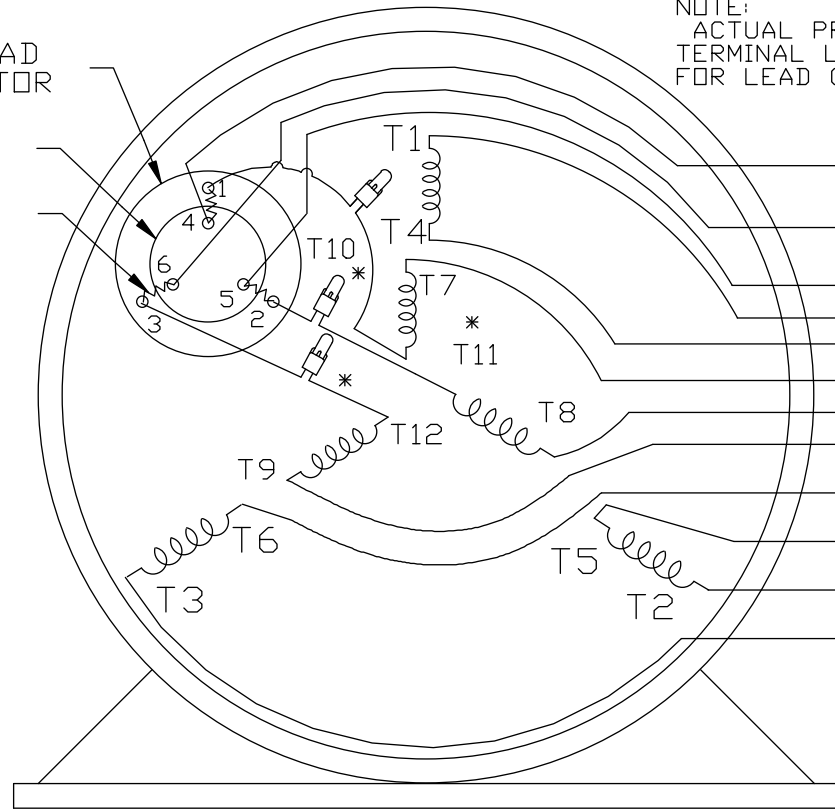
INSULATE SEPARATELY

THREE PHASE - DUAL VOLTAGE MOTOR WITH OVERLOAD PROTECTOR

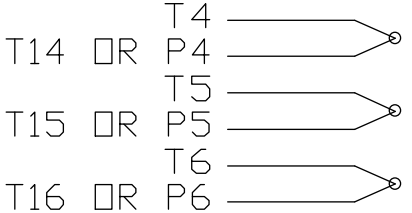
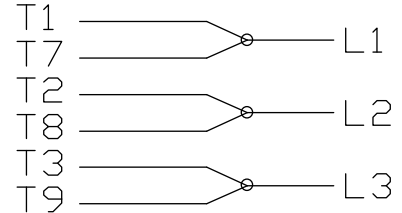


NOTE: ACTUAL PROTECTORS TERMINAL LOCATIONS FOR LEAD CONNECTIONS

OVERLOAD PROTECTOR
DISC
HEATER



LOW VOLTAGE CONNECTIONS



VIEW OF TERMINAL END

T2K
T4D
T6AN

* USE PRESSURE CONNECTORS FOR MT2 PLANT ONLY

				TOLERANCES UNLESS SPECIFIED		DRAWN KL 08-09-1993	
				DEC.	INCHES		CHK ML 08/10/1993
16	PRESSURE CONNECTORS QUANTITY WAS 6	PVR 10/29/13	GR	.X	±.1	APPD GK 08/10/1993	
15	PRESSURE CONNECTORS ADDED	GR 03/04/13	SR	.XX	±.01	SCALE 1=1	
14	ADDED ACTUAL PROCECTOR VIEW CN 17481	KL 05/18/94		.XXX	±.005	REF	
13	REDRAWN IN AUTO CAD	KL 08/11/93		.XXXX	±.0005	FMF	
NO.	REVISION	BY & DATE	CHK	ANG	±1/2*	PREV	
THIS DRAWING IN DESIGN AND DETAIL IS OUR PROPERTY AND MUST NOT BE USED EXCEPT IN CONNECTION WITH OUR WORK ALL RIGHTS OF DESIGN AND INVENTION ARE RESERVED THIS IS AN ELECTRONICALLY GENERATED DOCUMENT - DO NOT SCALE THIS PRINT		RFP	CAD FILE		EE7335	SIZE A	DRAWING NO. EE7335
		DIST					REV. 16