

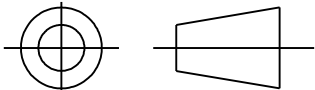
SHEET

REV

52A107818 5

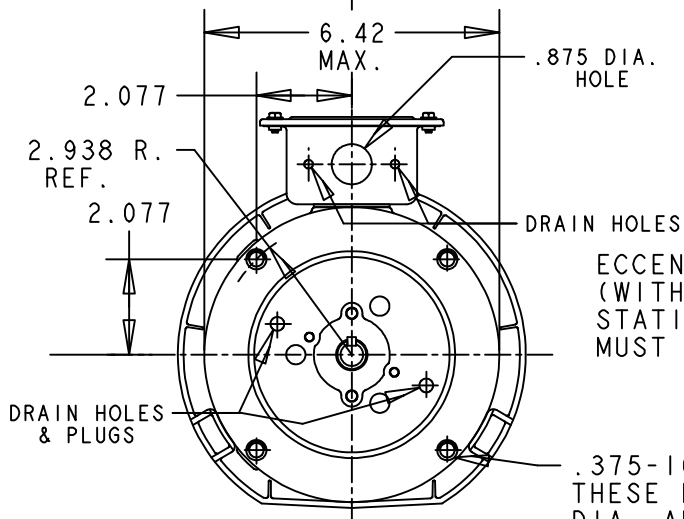
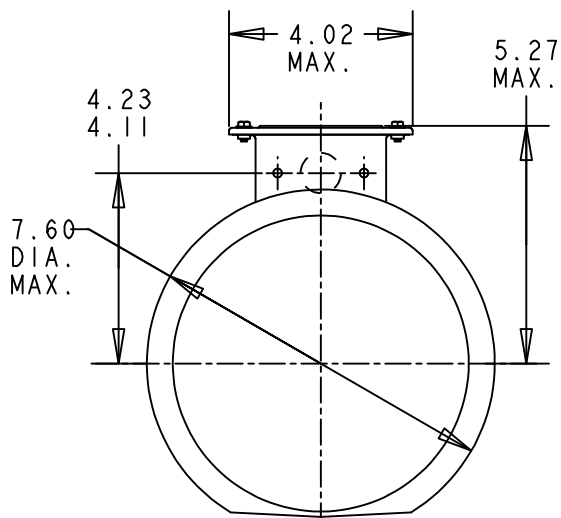
SIZE DRAWING NO. A

THIRD ANGLE PROJECTION

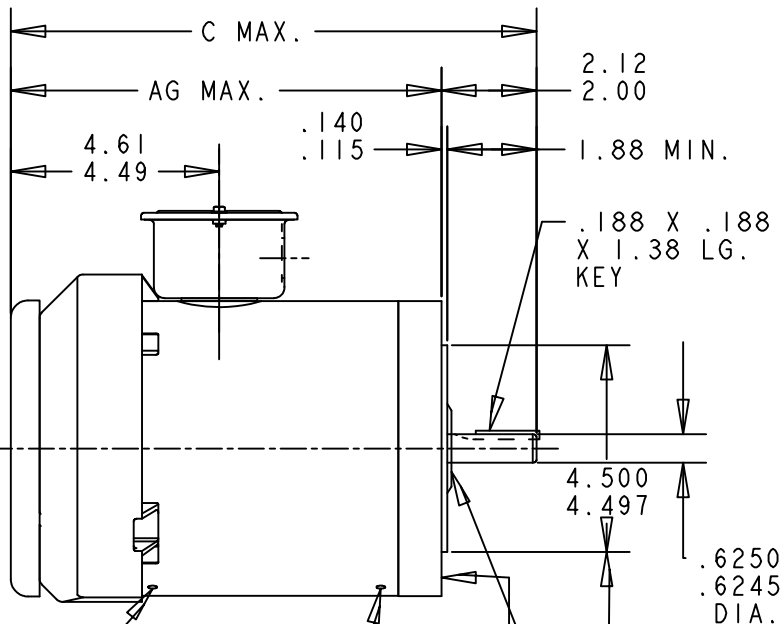


REVISIONS

REV.	DESCRIPTION	DATE	APPROVED
4	ADDED PART 2	04/15/03	MANTRI U
5	CHG TO RBC FORMAT PER IS05-1777	03/06/03	SUDHA



VIEW OF P.E. END SHIELD

DRAIN HOLE
EACH END
(WHEN SPECIFIED)FACE RUNOUT (WITH
INDICATOR MOUNTED
STATIONARY RELATIVE
TO SHAFT) MUST NOT
EXCEED .004 T.I.R.ECCENTRICITY OF THIS SURFACE
(WITH INDICATOR MOUNTED
STATIONARY RELATIVE TO SHAFT)
MUST NOT EXCEED .004 T.I.R.WATER
SLINGER
(WHEN
SPEC.).375-16 UNC-2B (4 HOLES) .70 MIN. FULL THREAD
THESE HOLES FIT A GAGE HAVING A RABBIT 4.5005
DIA. AND 4 PINS .2917 DIA. LOCATED ON THE
BASIC HOLE POSITIONS.

2	K	49	56C	11.65	9.53	5.72
1	K	49	56C	12.08	9.96	6.15
P	TYPE	GE SIZE	NEMA FR.	C	AG	MIN. SHELL

SIGNATURES

DATE

MODEL M.D.PAPE 10/02/92

DETAIL . .

CHECKED . .

ENGRG . .

MFG . .

QUALITY . .

ISSUED M.D.PAPE 10/02/92

SOLID MODEL: 52A107818



REGAL-BELOIT CORPORATION

TITLE

OUTLINE

GENERAL PURPOSE MOTOR TEFC - BALL

BEARING R2 END MOUNTED FMF - 5K49MN4008T

SIZE DRAWING

A

52A107818

REV

5

SCALE: 0.250 REF. No: .

SHEET 1 of 1