

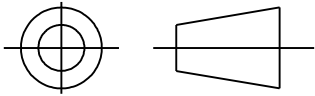
SHEET

REV

52A111879 0

SIZE DRAWING NO. A

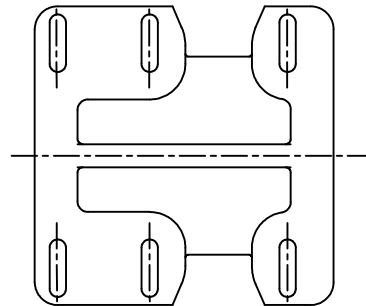
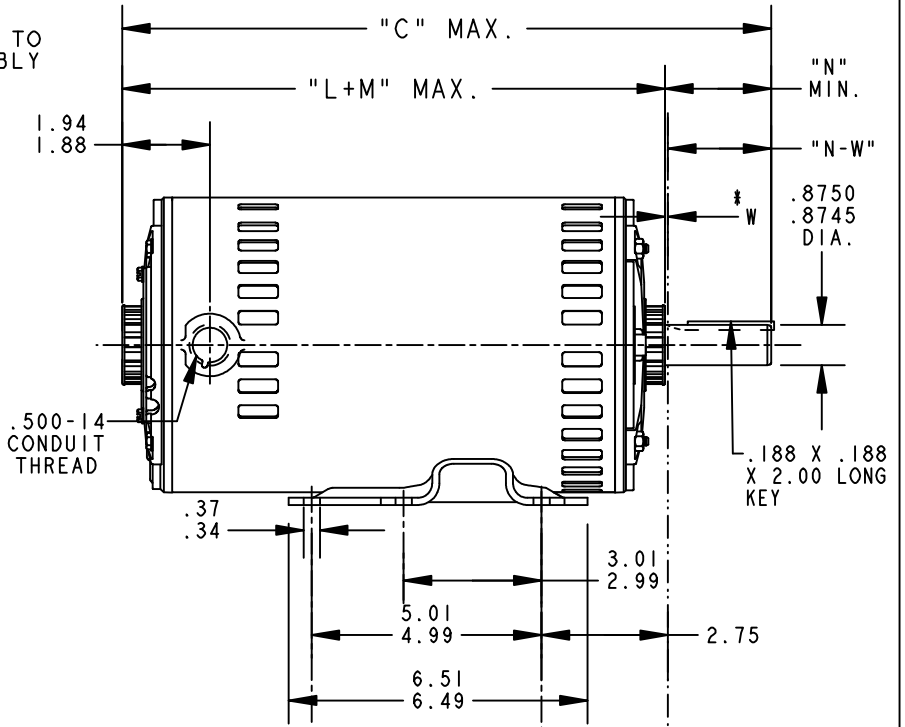
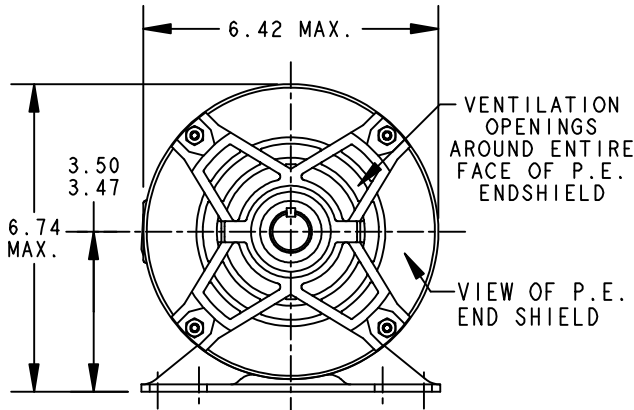
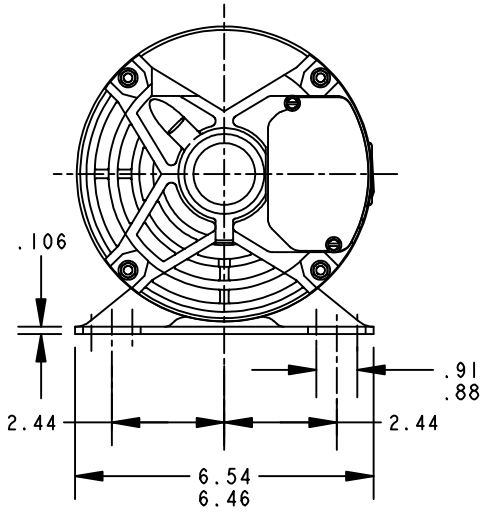
THIRD ANGLE PROJECTION



REVISIONS

REV.	DESCRIPTION	DATE	APPROVED
0	CREATED PER IS 10-4469	10/26/10	PRAVEEN. I


W IS A VARIABLE CLEARANCE DUE TO VARIATIONS IN PARTS AND ASSEMBLY



ALL DIMENSIONS ARE IN INCHES

I	K	49	56HZ	15.31	13.04	2.25	2.39/2.17		10.71
P	TYPE	RBC SIZE	NEMA FR.	"C"	"L+M"	"N"	"N-W"		MIN. SHELL

	SIGNATURES		DATE
	MODEL	-	-
DETAIL	PRAVEEN. I		10/26/10
CHECKED	.	.	
ENGRG	.	.	
MFG	.	.	
FOR ADDITIONAL INFO REFER TO:	QUALITY	.	.
APPLIED PRACTICES	ISSUED	DURGA	10/26/10
DIMENSIONS ARE IN INCHES	SOLID MODEL: 52A111879		



REGAL-BELOIT CORPORATION

TITLE

OUTLINE

GENERAL PURPOSE MOTOR OPEN - BALL

BEARING - WELDED BASE FMF - 40 FRAME REDESIGN

SIZE DRAWING

52A111879

SCALE: 0.250 REF. No: . SHEET 1 of 1