

SHEET  
REV  
52A109399  
SIZE DRAWING NO.  
A

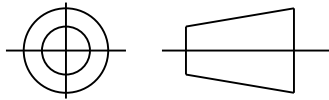
RBC PROPRIETARY AND CONFIDENTIAL INFORMATION

This document is the property of REGAL BELOIT Corporation ("RBC") including its subsidiaries and divisions and contains proprietary information of RBC. This document is loaned on the express condition that neither it nor the information contained therein shall be disclosed to others without the express written consent of RBC, and that the information shall be used by the recipient only as approved expressly by RBC. This document shall be returned to RBC upon its request. This document may be subject to certain restrictions under U.S. export control laws and regulations.

REVISIONS

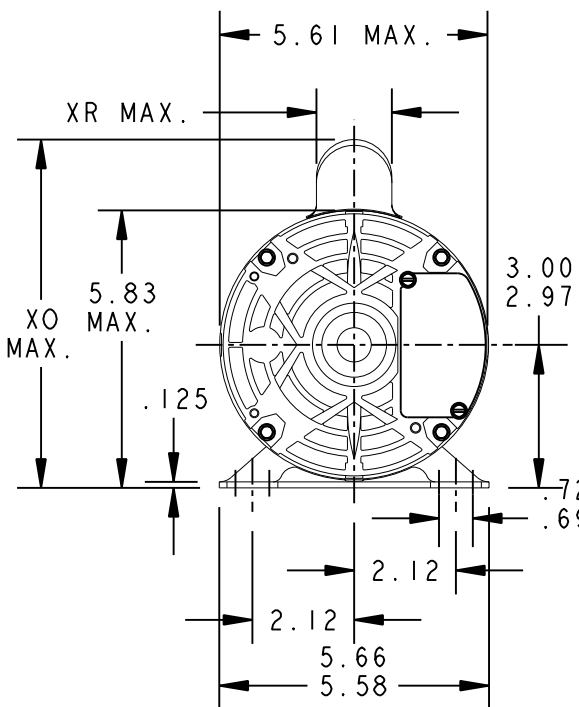
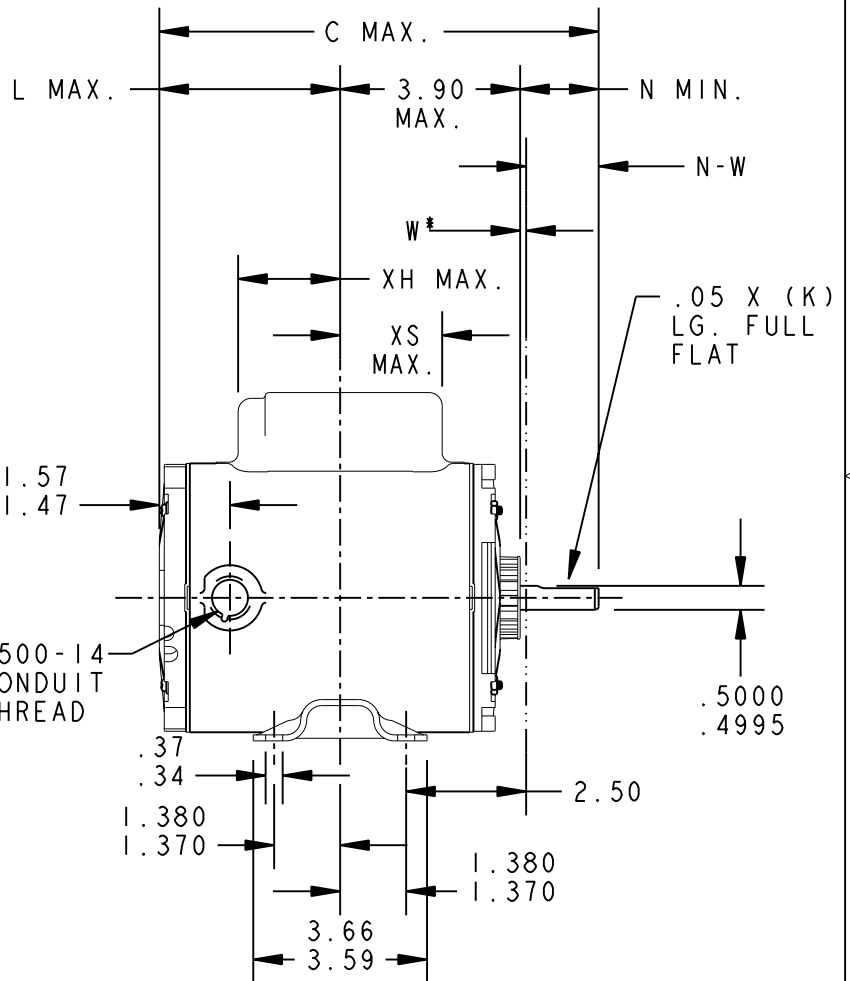
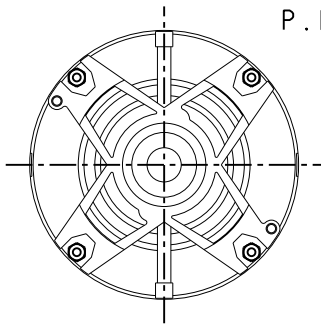
REV.	DESCRIPTION	DATE	APPROVED
1	"XH" DIM CHANGE AS PER IS05-1772	07/26/05	RAJKUMAR

THIRD ANGLE PROJECTION



W\* IS A CLEARANCE DUE TO VARIATION IN PARTS AND ASSEMBLY.

VIEW SHOWING P.E. VENTILATION OPENINGS



2	KC	37	48	10.06	1.16	5.05	1.50	1.63/1.41	3.37	7.31	1.60	2.33
1	KC	36	48	9.66	1.16	4.65	1.50	1.63/1.41	2.87	7.31	1.60	1.35
P	TYPE	GE SIZE	NEMA FR	C	K	L	N	N-W	XH	XO	XR	XS

FOR ADDITIONAL INFO REFER TO:

APPLIED PRACTICES

DIMENSIONS ARE IN INCHES

TOLERANCE ON:

1 PL DECIMALS ± 0.1

2 PL DECIMALS ± 0.01

3 PL DECIMALS ± 0.005

ANGLES ± 0.5

FRACTIONS ±

FINISH



MATERIAL

SIGNATURES

DATE

MODEL RAJKUMAR 07/26/05

DETAIL

CHECKED

ENGRG

MFG

QUALITY

ISSUED RAJKUMAR 07/26/05

SOLID MODEL: MODEL NAME



REGAL-BELOIT CORPORATION

TITLE

OUTLINE

FORM N - GENERAL PURPOSE MOTOR - DRIP PROOF WELDED BASE - BALL OR SLEEVE BEARING

SIZE DRAWING

A

52A109399

REV

1

SCALE:

SHEET 1 of 1

GI, F114, J10, J11